

# SPRAY TECH



MANUFACTURING, INCORPORATED

AGRICULTURAL SPRAYER PARTS  
AND ACCESSORIES

## 2017 PRICE LIST

and Catalog Supplement

[www.spraytechmfg.com](http://www.spraytechmfg.com)

### PHONE

**573.379.5491**

**800.292.4066**

### FAX

**573.379.3482**

**800.628.9616**

PO BOX 380  
1579 US HWY 61  
PORTAGEVILLE, MISSOURI 63873



## TERMS AND CONDITIONS OF SALE

### PRICING

Prices in this catalog/price list are subject to change without notice. Products will be invoiced at the price effective upon date of shipment.

**MINIMUM ORDER** - \$10 minimum. Orders below minimum are subject to an additional \$2.50 handling fee.

**INVOICING** - By mail, e-mail, or fax, unless otherwise instructed.

### TERMS OF SALE

30 days net to firms with established credit. Orders received prior to establishment of credit will be subject to COD or delay of shipment until credit has been cleared by our credit department. A finance charge will be made on all invoices not paid within terms of sale and will be computed by a periodic rate of 1.5% per month, which is an annual percentage rate of 18%. The minimum finance charge is \$0.50 per month. No further sales will be made to overdue accounts until the account is paid in full. Future terms will be COD.

### REFERRAL SALES AND HOSE SALES

A maximum discount of 10% is allowed on referral sales. Referrals are orders picked up at Spray Tech by a dealer's customer, without a purchase order specifying part numbers and quantities. **HOSE SALES:** Full discounts for hose sales are only applied to reel or box quantities.

### RETURNS FOR CREDIT

Merchandise may be returned for credit only upon authorization and receipt of a RMA number. Returns will be subject to a 20% restocking fee upon authorized return. Special order items are binding with placement of the order.

### SHIPMENTS

All shipments are FOB our location and will be made by common carrier, UPS, Fed-Ex Ground, Parcel Post or our truck on special arrangements. Charges will be prepaid and insured and subsequently invoiced to the customer at tariff cost plus \$2 per order. Drop ship arrangements will be charged an additional \$1. Spray Tech is not responsible for delays caused by accident, strikes, fires, and other causes beyond our control.

Spray Tech recognizes the desirability of filling orders promptly and agrees that it will at all times use its best efforts to make shipments promptly, but Spray Tech shall not be liable to Dealer or any other person for the failure to fill orders or to make shipments on time.

SPRAY TECH shall not be liable for damage to or loss of any material shipped to Dealer or its customer when such damage or loss occurs after SPRAY TECH has delivered the material to a carrier. Dealer shall assert all claims for damages or losses in transit directly against the carrier. IN NO EVENT SHALL SPRAY TECH BE LIABLE FOR INCIDENTAL OR CONSEQUENTIAL DAMAGES ARISING FROM SHORTAGES OR DEFECTIVE MATERIAL.

### LIMITED WARRANTY

SPRAY TECH warrants the products manufactured by it, including all equipment or accessories supplied, to be free from defects in material or workmanship under proper and normal use and service. Spray Tech's obligation under this warranty is limited to repair or replacement of any defective items, which shall be submitted to Spray Tech within ninety(90) days of delivery to the original retail purchaser or first user, to be returned with transportation charges prepaid. This warranty shall not apply to any product which has been subject to misuse, negligence, or accident. Parts furnished to Spray Tech by other manufacturers for resale or assembly by Spray Tech are warranted only to the extent of the original manufacturer's warranty. MANUFACTURER'S WARRANTIES SHALL BE APPLICABLE ON THOSE ITEMS WHICH THOSE MANUFACTURERS SUPPLY.

Any implied warranties, including any implied warranty of merchantability or fitness for a particular purpose, are limited in duration to the time period of the express warranty set forth herein. Some states do not allow limitations on how long an implied warranty lasts, or the exclusion or limitations of incidental or consequential damages, so the above limitation or exclusion may not apply to you. This warranty gives you specific legal rights and you may have other rights which vary from state to state.



## QUICK TEEJET® PUSH TO CONNECT FITTINGS

QJ98586 AND QJ98588 CAP



QJ98590 AND QJ98592



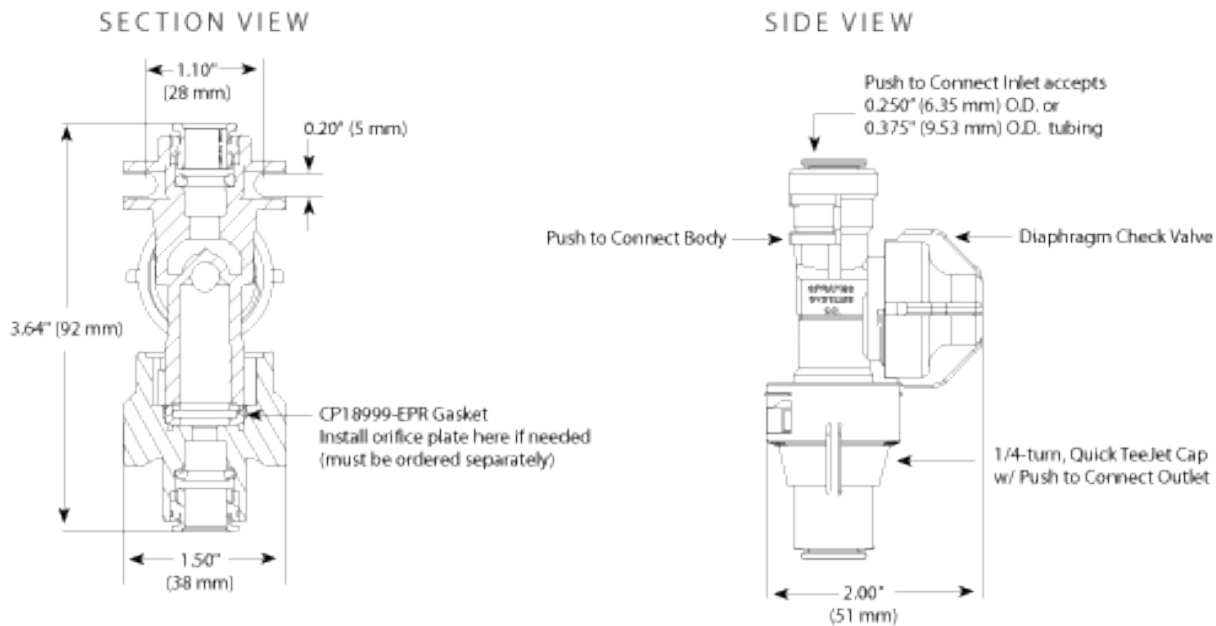
Quick TeeJet push to connect nozzle bodies and fittings are designed to greatly improve the speed and ease of assembling systems utilizing small diameter, semi-rigid tubing. These bodies are ideal for liquid fertilizer application systems on planters and fertilizer toolbars. By eliminating threaded fittings and other components, plumbing system complexity is reduced and reliability is improved.

### Features and Benefits

- Available for both 1/4" and 3/8" tubing sizes
- For use with linear, low-density, polyethylene tubing
- Choice of body, cap, or body and cap combination
- Bodies feature proven Quick TeeJet diaphragm check valve available with a choice of opening pressures
- Allows flow shutoff to occur further downstream for improved fertilizer savings
- Orifice plate can be easily installed between body and cap for precise flow regulation
- Rugged nylon construction for reliability and excellent chemical resistance
- Compact, inline design for mounting in a variety of locations
- Integrated mounting lugs for easy installation using #10 or M5 screws or cable ties
- Flow rate of 2.25 GPM (8.5 l/min) at 5 PSI (0.34 bar) pressure drop, 3.18 GPM (12.0 l/min) at 10 PSI (0.7 bar) pressure drop
- Maximum pressure rating of 100 PSI (7 bar)

# QUICK TEEJET PUSH TO CONNECT FITTINGS

## Quick TeeJet Push to Connect Dimensions



## Quick TeeJet Push to Connect Part Numbers

Part Number	Description
QJ98595-1/4-2	Push to Connect QJ Body & Cap, 1/4", 2 PSI (0.14 bar) check valve
QJ98595-1/4-10	Push to Connect QJ Body & Cap, 1/4", 10 PSI (0.69 bar) check valve
QJ98594-3/8-2	Push to Connect QJ Body & Cap, 3/8", 2 PSI (0.14 bar) check valve
QJ98594-3/8-10	Push to Connect QJ Body & Cap, 3/8", 10 PSI (0.69 bar) check valve
QJ98588-1/4	Push to Connect QJ Cap, 1/4" w/ gasket
QJ98592-1/4-2	Push to Connect QJ Body, 1/4", 2 PSI (0.14 bar) check valve
QJ98592-1/4-10	Push to Connect QJ Body, 1/4", 10 PSI (0.69 bar) check valve
QJ98586-3/8	Push to Connect QJ Cap, 3/8" w/ gasket
QJ98590-3/8-2	Push to Connect QJ Body, 3/8", 2 PSI (0.14 bar) check valve
QJ98590-3/8-10	Push to Connect QJ Body, 3/8", 10 PSI (0.69 bar) check valve

Note: Quick TeeJet caps come standard with the CP18999-EPR gasket

# **HYPRO<sup>®</sup>**

**AGRICULTURAL PRODUCTS**

## **ESI Six-Stream Spray Tips**

Ceramic Tips for Targeted Fertilizer Application



### **FEATURES & BENEFITS**

- ◆ Six identical fluid streams distribute fertilizer accurately to more plants
- ◆ Superior stream stability compared to other multi-stream nozzles reduces leaf burn
- ◆ The ceramic orifice provides durable, accurate life and lower operating cost
- ◆ Large outlet holes to prevent plugging
- ◆ Compact design is less prone to breakage than long nozzles and bars
- ◆ Available in sizes 015-15 (including 025) to facilitate a wide range of application rates
- ◆ Convenient LastCap<sup>®</sup> version available for cleaner, easier handling
- ◆ Tips fit in standard round tip caps (series 402904) or the Hypro<sup>®</sup> Universal Cap (series 402590)

*The ESI utilizes a ceramic metering orifice and unique low pressure distribution chamber to keep the streams stable, reduce atomization and prevent leaf burn, which makes them ideal for applying liquid fertilizers.*



## **ALBUZ**

*Hypro<sup>®</sup> is a proud distributor of ALBUZ<sup>®</sup> spray tips.*

# ESI Spray Tips

## SPECIFICATIONS

### Six-Stream Spray Tip Performance Characteristics



**ESI-110015**  
**FC-ESI-110015** Gallons per Acre - 20° Spacing

PSI	Flow (GPM)	GPA									
		4	5	6	7	8	9	10	11	12	13
15	0.81	2.0	2.5	3.0	3.5	4.0	4.5	5.0	5.5	6.0	6.5
20	0.85	2.1	2.6	3.1	3.6	4.1	4.6	5.1	5.6	6.1	6.6
25	0.89	2.2	2.7	3.2	3.7	4.2	4.7	5.2	5.7	6.2	6.7
30	0.93	2.3	2.8	3.3	3.8	4.3	4.8	5.3	5.8	6.3	6.8
35	0.97	2.4	2.9	3.4	3.9	4.4	4.9	5.4	5.9	6.4	6.9
40	1.01	2.5	3.0	3.5	4.0	4.5	5.0	5.5	6.0	6.5	7.0
45	1.05	2.6	3.1	3.6	4.1	4.6	5.1	5.6	6.1	6.6	7.1
50	1.09	2.7	3.2	3.7	4.2	4.7	5.2	5.7	6.2	6.7	7.2



**ESI-11005**  
**FC-ESI-11005** Gallons per Acre - 20° Spacing

PSI	Flow (GPM)	GPA									
		4	5	6	7	8	9	10	11	12	13
15	0.81	2.0	2.5	3.0	3.5	4.0	4.5	5.0	5.5	6.0	6.5
20	0.85	2.1	2.6	3.1	3.6	4.1	4.6	5.1	5.6	6.1	6.6
25	0.89	2.2	2.7	3.2	3.7	4.2	4.7	5.2	5.7	6.2	6.7
30	0.93	2.3	2.8	3.3	3.8	4.3	4.8	5.3	5.8	6.3	6.8
35	0.97	2.4	2.9	3.4	3.9	4.4	4.9	5.4	5.9	6.4	6.9
40	1.01	2.5	3.0	3.5	4.0	4.5	5.0	5.5	6.0	6.5	7.0
45	1.05	2.6	3.1	3.6	4.1	4.6	5.1	5.6	6.1	6.6	7.1
50	1.09	2.7	3.2	3.7	4.2	4.7	5.2	5.7	6.2	6.7	7.2



**ESI-11002**  
**FC-ESI-11002** Gallons per Acre - 20° Spacing

PSI	Flow (GPM)	GPA									
		4	5	6	7	8	9	10	11	12	13
15	0.74	1.8	2.3	2.8	3.3	3.8	4.3	4.8	5.3	5.8	6.3
20	0.78	1.9	2.4	2.9	3.4	3.9	4.4	4.9	5.4	5.9	6.4
25	0.82	2.0	2.5	3.0	3.5	4.0	4.5	5.0	5.5	6.0	6.5
30	0.86	2.1	2.6	3.1	3.6	4.1	4.6	5.1	5.6	6.1	6.6
35	0.90	2.2	2.7	3.2	3.7	4.2	4.7	5.2	5.7	6.2	6.7
40	0.94	2.3	2.8	3.3	3.8	4.3	4.8	5.3	5.8	6.3	6.8
45	0.98	2.4	2.9	3.4	3.9	4.4	4.9	5.4	5.9	6.4	6.9
50	1.02	2.5	3.0	3.5	4.0	4.5	5.0	5.5	6.0	6.5	7.0



**ESI-11006**  
**FC-ESI-11006** Gallons per Acre - 20° Spacing

PSI	Flow (GPM)	GPA									
		4	5	6	7	8	9	10	11	12	13
15	0.85	2.1	2.6	3.1	3.6	4.1	4.6	5.1	5.6	6.1	6.6
20	0.89	2.2	2.7	3.2	3.7	4.2	4.7	5.2	5.7	6.2	6.7
25	0.93	2.3	2.8	3.3	3.8	4.3	4.8	5.3	5.8	6.3	6.8
30	0.97	2.4	2.9	3.4	3.9	4.4	4.9	5.4	5.9	6.4	6.9
35	1.01	2.5	3.0	3.5	4.0	4.5	5.0	5.5	6.0	6.5	7.0
40	1.05	2.6	3.1	3.6	4.1	4.6	5.1	5.6	6.1	6.6	7.1
45	1.09	2.7	3.2	3.7	4.2	4.7	5.2	5.7	6.2	6.7	7.2
50	1.13	2.8	3.3	3.8	4.3	4.8	5.3	5.8	6.3	6.8	7.3



**ESI-110025**  
**FC-ESI-110025** Gallons per Acre - 20° Spacing

PSI	Flow (GPM)	GPA									
		4	5	6	7	8	9	10	11	12	13
15	0.75	1.9	2.4	2.9	3.4	3.9	4.4	4.9	5.4	5.9	6.4
20	0.79	2.0	2.5	3.0	3.5	4.0	4.5	5.0	5.5	6.0	6.5
25	0.83	2.1	2.6	3.1	3.6	4.1	4.6	5.1	5.6	6.1	6.6
30	0.87	2.2	2.7	3.2	3.7	4.2	4.7	5.2	5.7	6.2	6.7
35	0.91	2.3	2.8	3.3	3.8	4.3	4.8	5.3	5.8	6.3	6.8
40	0.95	2.4	2.9	3.4	3.9	4.4	4.9	5.4	5.9	6.4	6.9
45	0.99	2.5	3.0	3.5	4.0	4.5	5.0	5.5	6.0	6.5	7.0
50	1.03	2.6	3.1	3.6	4.1	4.6	5.1	5.6	6.1	6.6	7.1



**ESI-11008**  
**FC-ESI-11008** Gallons per Acre - 20° Spacing

PSI	Flow (GPM)	GPA									
		4	5	6	7	8	9	10	11	12	13
15	0.82	2.0	2.5	3.0	3.5	4.0	4.5	5.0	5.5	6.0	6.5
20	0.86	2.1	2.6	3.1	3.6	4.1	4.6	5.1	5.6	6.1	6.6
25	0.90	2.2	2.7	3.2	3.7	4.2	4.7	5.2	5.7	6.2	6.7
30	0.94	2.3	2.8	3.3	3.8	4.3	4.8	5.3	5.8	6.3	6.8
35	0.98	2.4	2.9	3.4	3.9	4.4	4.9	5.4	5.9	6.4	6.9
40	1.02	2.5	3.0	3.5	4.0	4.5	5.0	5.5	6.0	6.5	7.0
45	1.06	2.6	3.1	3.6	4.1	4.6	5.1	5.6	6.1	6.6	7.1
50	1.10	2.7	3.2	3.7	4.2	4.7	5.2	5.7	6.2	6.7	7.2



**ESI-11003**  
**FC-ESI-11003** Gallons per Acre - 20° Spacing

PSI	Flow (GPM)	GPA									
		4	5	6	7	8	9	10	11	12	13
15	0.77	1.9	2.4	2.9	3.4	3.9	4.4	4.9	5.4	5.9	6.4
20	0.81	2.0	2.5	3.0	3.5	4.0	4.5	5.0	5.5	6.0	6.5
25	0.85	2.1	2.6	3.1	3.6	4.1	4.6	5.1	5.6	6.1	6.6
30	0.89	2.2	2.7	3.2	3.7	4.2	4.7	5.2	5.7	6.2	6.7
35	0.93	2.3	2.8	3.3	3.8	4.3	4.8	5.3	5.8	6.3	6.8
40	0.97	2.4	2.9	3.4	3.9	4.4	4.9	5.4	5.9	6.4	6.9
45	1.01	2.5	3.0	3.5	4.0	4.5	5.0	5.5	6.0	6.5	7.0
50	1.05	2.6	3.1	3.6	4.1	4.6	5.1	5.6	6.1	6.6	7.1



**ESI-11010**  
**FC-ESI-11010** Gallons per Acre - 20° Spacing

PSI	Flow (GPM)	GPA									
		4	5	6	7	8	9	10	11	12	13
15	0.84	2.0	2.5	3.0	3.5	4.0	4.5	5.0	5.5	6.0	6.5
20	0.88	2.1	2.6	3.1	3.6	4.1	4.6	5.1	5.6	6.1	6.6
25	0.92	2.2	2.7	3.2	3.7	4.2	4.7	5.2	5.7	6.2	6.7
30	0.96	2.3	2.8	3.3	3.8	4.3	4.8	5.3	5.8	6.3	6.8
35	1.00	2.4	2.9	3.4	3.9	4.4	4.9	5.4	5.9	6.4	6.9
40	1.04	2.5	3.0	3.5	4.0	4.5	5.0	5.5	6.0	6.5	7.0
45	1.08	2.6	3.1	3.6	4.1	4.6	5.1	5.6	6.1	6.6	7.1
50	1.12	2.7	3.2	3.7	4.2	4.7	5.2	5.7	6.2	6.7	7.2



**ESI-11004**  
**FC-ESI-11004** Gallons per Acre - 20° Spacing

PSI	Flow (GPM)	GPA									
		4	5	6	7	8	9	10	11	12	13
15	0.78	1.9	2.4	2.9	3.4	3.9	4.4	4.9	5.4	5.9	6.4
20	0.82	2.0	2.5	3.0	3.5	4.0	4.5	5.0	5.5	6.0	6.5
25	0.86	2.1	2.6	3.1	3.6	4.1	4.6	5.1	5.6	6.1	6.6
30	0.90	2.2	2.7	3.2	3.7	4.2	4.7	5.2	5.7	6.2	6.7
35	0.94	2.3	2.8	3.3	3.8	4.3	4.8	5.3	5.8	6.3	6.8
40	0.98	2.4	2.9	3.4	3.9	4.4	4.9	5.4	5.9	6.4	6.9
45	1.02	2.5	3.0	3.5	4.0	4.5	5.0	5.5	6.0	6.5	7.0
50	1.06	2.6	3.1	3.6	4.1	4.6	5.1	5.6	6.1	6.6	7.1



**ESI-11015**  
**FC-ESI-11015** Gallons per Acre - 20° Spacing

PSI	Flow (GPM)	GPA									
		4	5	6	7	8	9	10	11	12	13
15	0.86	2.1	2.6	3.1	3.6	4.1	4.6	5.1	5.6	6.1	6.6
20	0.90	2.2	2.7	3.2	3.7	4.2	4.7	5.2	5.7	6.2	6.7
25	0.94	2.3	2.8	3.3	3.8	4.3	4.8	5.3	5.8	6.3	6.8
30	0.98	2.4	2.9	3.4	3.9	4.4	4.9	5.4	5.9	6.4	6.9
35	1.02	2.5	3.0	3.5	4.0	4.5	5.0	5.5	6.0	6.5	7.0
40	1.06	2.6	3.1	3.6	4.1	4.6	5.1	5.6	6.1	6.6	7.1
45	1.10	2.7	3.2	3.7	4.2	4.7	5.2	5.7	6.2	6.7	7.2
50	1.14	2.8	3.3	3.8	4.3	4.8	5.3	5.8	6.3	6.8	7.3

<



**The Right Droplet Size  
The Right Spray Tip  
The Right Result**

***COMBO-JET*<sup>®</sup> ER, SR, MR, DR  
Droplet Size Selective Tip-Caps**

allow you to match the droplet size to your application, optimizing coverage, and drift control.



***Better Engineered Sprayer Components for Over 35 Years***

US Gallons/Acre Tip Charts



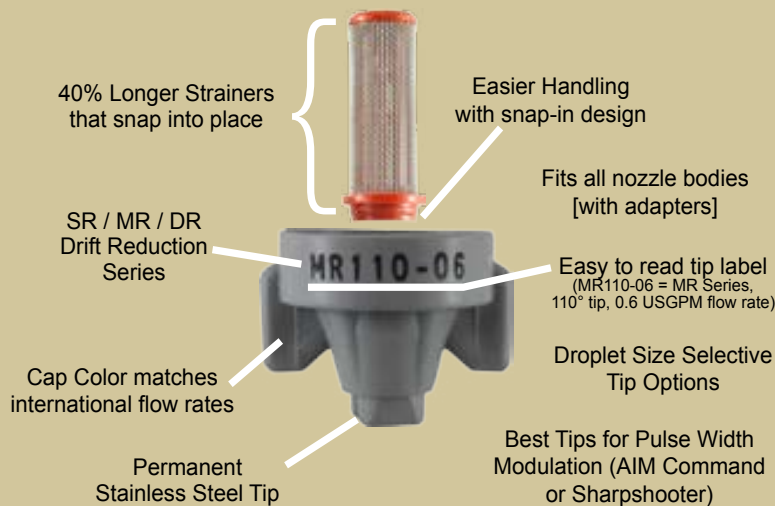
## COMBO-JET® Tip-Caps and Strainers

### Are You Cleaning Nozzles Instead of Spraying?

The COMBO-JET® Tip-Cap with its snap-in strainer is easier to clean and stays clean longer.



#### The COMBO-JET® Advantage:



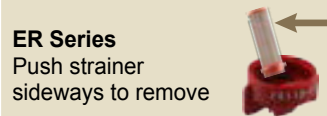
#### How to remove strainers for cleaning

##### SR, MR, & DR Series

To clean stainless tip  
Pull strainer (with pre-orifice) up and out



To clean plastic pre-orifice  
Push strainer sideways to remove from pre-orifice



##### ER Series

Push strainer sideways to remove



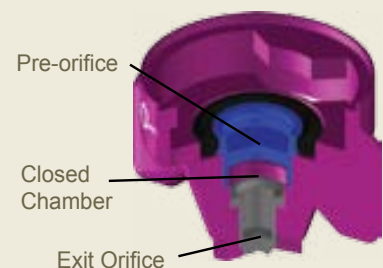
To use/replace strainer  
Push strainer down to snap the strainer in

#### Combo-Jet® Drift Reduction - Closed Chamber Design

Unlike traditional air-induction nozzles, Combo-Jet® SR, MR, and DR series of tip caps do not rely on a steady stream of air to reduce drift. Wilger uses a unique pre-orifice and closed chamber design that reduces drift while creating more meaningful droplets.

Each of the Combo-Jet® drift reduction series (SR/MR/DR) provide different levels of drift reduction to give even more flexibility in choosing your droplet size range. Without needing consistent airflow for controlling drift, Combo-Jet® tips have become the preferred tip for pulse width modulation systems.

For accurate comparisons between the Combo-Jet® drift reduction series, see the next page, or use Tip-Wizard found on the wilger.net website or Tip-Wizard smartphone app.



### If you are tired of picking parts out of the dirt, you will really like COMBO-JET®!

All Combo-Jet® tips handle like one part, making it easier and safer to handle. Since the strainer, o-ring, and tip-cap all snap together tightly, there is no way for dislodged debris to plug the tip while changing or cleaning.



#### Spray Application Questions?

See the TIPNOLOGY section of our website for easy to read information on spray application. Application rates, droplet size, drift control...and more.

[www.wilger.net](http://www.wilger.net)



# HYPRO®

SPRAY PRODUCTS

## Universal Flanged Gaskets

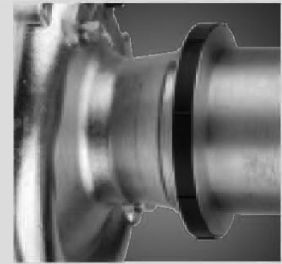
*Improved Reliability, Easy Alignment*



*Patent Pending*

### FEATURES & BENEFITS:

- The Hypro Universal Flanged Gasket aligns adjoining fittings and holds itself in place during joint assembly without the use of adhesives
- Alignment ribs stiffen the T-web and mark 0°, 45° and 90° for rotational alignment of fittings
- The outside of the gasket is visible for inspection during assembly to ensure gasket is properly placed
- Visibility allows for 100% inspection to prevent leaks and costly rework
- Sealing areas between fitting faces increase maximum pressure and vacuum the joint can manage without leaks
- The T-web secures the seal so that it cannot be sucked into the joint by normal pump suction
- Gasket "bulge" into the joint is minimized, increasing the flowable area up to 28%, while reducing turbulence and ensuring maximum flow



*The Universal Flange Gasket's unique T-web feature aligns the two adjoining fittings, while securely holding the gasket in place, reducing assembly time.*

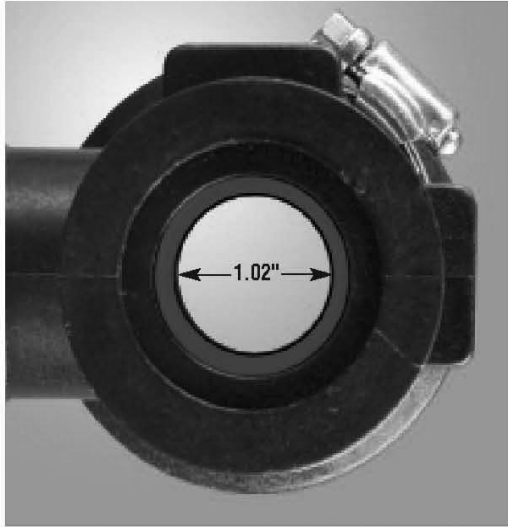


*Universal Flange Gaskets work with all flanged fittings and pumps, including Hypro's new 9306 3" x 2" full port flanged centrifugal pumps.*

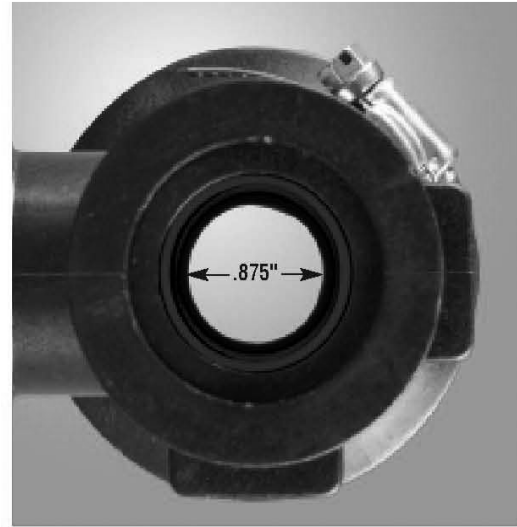
# Universal Flanged Gaskets

## SPECIFICATIONS

The Hypro Universal Gasket eliminates gasket "bulge" into the joint. This protects plumbing efficiency by increasing the flowable area up to 28% over standard gaskets.



Hypro Universal Gasket (less restrictive)



Standard Gasket (more restrictive)

Spray Tech part numbers:

Part Number	Size
HYUFG0100E	1"
HYUFG0150E	1 1/2"
HYUFG0200E	2"
HYUFG0300E	3"

**CALL US** - for up-to-date pricing on **tractor racks, spray booms**, or larger equipment like the Bowman Mudmaster Rice Sprayer!





PART #	DESCRIPTION	LIST
AC100010	PMP BLT 1000 RPM 21	1,310.00
AC1000175	PMP BLT 1000 RPM 20	1,325.00
AC10320	ADPTR 1-3/8" x 5/8" 6SP	55.00
AC10340	ADP 540 5/8" x 1-3/8"	65.00
AC10345	ADP 1000 5/8" x 21 SP	55.00
AC10346	QC ADP 1000 5/8"	65.00
AC10761	ADAPTER 6SP 15/16"	60.00
AC10769	ADP 15/16" x 1 3/4"	80.00
AC10771	ADPTR 6 SPQC-15/16"	70.00
AC10776	ADPTR 15/16" 1000	65.00
AC10778	ADPTR 15/16" 1000QC	75.00
AC1506006Q	HP 540 BELT CP-QC	1,465.00
AC150600B	PTOC 150600 1" SHFT	1,465.00
AC150M20SP	HP 1000 BELT CP 1 3/4"	1,525.00
AC150M21SP	HP 1000 BELT CP 1-3/8"	1,470.00
AC200	HYD PMP 2" x 1-1/2"	1,360.00
AC200-304	200 HYD PMP w/304	1,360.00
AC200-30412	200 PMP w/304 12SAE	1,370.00
AC20190	BUNA DPGM	16.00
AC204	HYD PMP 1-1/4" x 1"	1,135.00
AC204PE	PMP ONLY AC204-210	900.00
AC204SC	HYD PMP 1 1/4" x 1" SC	1,230.00
AC206	HYD PMP 1-1/2" x 1-1/4"	1,160.00
AC206PE	PUMP ONLY AC206	915.00
AC206SC	HYD PMP 1-1/2" x 1-1/4" SC	1,255.00
AC210	ACE HYD PMP 8 GPM	1,135.00
AC30009	O RING-ACAL-14	12.00
AC30028	SLNG WSHR, 5/16" ID	2.00
AC30171	IMPELLER GE660	280.00
AC30173	IMPELLER-650	305.00
AC30255	SEAL	105.00
AC30260	1" SEAL VITON	105.00
AC31040	GASKET-ACXH150	6.00
AC40017	BDY O-RING, FMC 75	12.00
AC40056	BAC6-150	110.00
AC40057	SHAFT	110.00
AC40063	BAC6HYD200SS	110.00
AC40149	5/8" SEAL SC 205 PMP	170.00
AC40153	NEW STYLE BAC75RK	45.00
AC40154	SEAL-300 SERIES	68.00
AC40160	O-RING BAC6 SHAFT	1.00
AC40162	SEAL SPACER 300 SER	7.00
AC40209	CENT PMP ELEC MTR 1PH	1,040.00
AC40308	IDLER FRAME 150 SER	305.00

PART #	DESCRIPTION	LIST
AC40314	FRAME; 300A SER MTR	330.00
AC40336	LNR, MNTG FR, SS	105.00
AC40337	MTG FRM, 300 SER SS	380.00
AC40393	3/8" NUT SS	1.00
AC40434	IMPELLER VLX-HYD200	117.00
AC40436	IMPELLER, SS	320.00
AC40880	BEARING BACH6SS	22.00
AC40930	CAP SCRW, 3/8" SS	2.50
AC40960	JAM NUT 3/8 NC	0.50
AC41255	SOC HD BOLT-206 MTR	2.00
AC41258	HEX BOLT-206 MTR	2.00
AC41330	CAP SCRW, 5/16"	0.50
AC41362	RK-BAC-75-HYD-300-L	86.50
AC41381	HYD MTR, 11GPM	915.00
AC41408	FLOW LIMITER-206	68.00
AC41409	FLOW LIMITER-204	68.00
AC41411	FLOW LIMITER-210	68.00
AC41417	FLW LMTR LS-204N	79.00
AC41418	FLW LMTR LS-206N	79.00
AC41423	FLW LMTR LS-210N	79.00
AC41441	RV CHK #8SAE M x 1/2 " M	25.00
AC41455	RSTR #8SAE x 1/2" FPT	13.00
AC41456	BAC 79-7 RESTR	10.00
AC41457	RSTRCTR INSR- N MTR	10.00
AC41476	COIL RING 12 VOLT	330.00
AC41477	SPACER FMC MAG	12.00
AC41500	5/8 SHFT RH FINE THR SS	125.00
AC41510	IMPELLER VLX CW150	82.00
AC41515	IMPELLER CI FMC150	170.00
AC41525	IMPELLER CI HYD200	235.00
AC41526	VOLUTE 2" x 1 1/2"	305.00
AC41560	PULLEY 1.7 FMK	55.00
AC41750	GEAR 204 MOTOR	103.00
AC41751	GEAR F/206 MTR	103.00
AC41755	GEAR-210 MOTOR	115.00
AC41760	DRIVE SHAFT	120.00
AC41761	DRIVE SHAFT HYD	95.00
AC41764	SHAFT HYD 206	105.00
AC41766	DRIVE SHAFT HYD	115.00
AC41770	SEAL RETAINER HYD	25.00
AC41780	SPRING-HM	2.00
AC41790	CHECK VALVE CAP	35.00
AC41810	WASHER STEEL HYD	4.00

PART #	DESCRIPTION	LIST
AC41820	WASHER NYLON HYD	2.00
AC41830	WIRE SPACER-HYD	2.50
AC41840	COLLAR QUAD RING HYD	5.25
AC41850	O RING HYD	1.75
AC41860	O RING	1.75
AC41870	O RING HYD	1.50
AC41880	SEAL QUAD RING HYD	6.00
AC41890	SNAP RING-HYD MTR	1.00
AC41920	DOWEL PIN HYD	2.00
AC41921	DOWEL PIN 206	2.00
AC41925	DOWEL PIN 210	2.00
AC41940	SNAP RING-HYD	1.75
AC41941	SNAP RING HYD MTR	0.75
AC41950	BALL	1.00
AC41960	BALL BEARING 1/2	42.00
AC41961	BALL BEARING 7/16	45.00
AC41975	IDLR SHFT/210 MTR	55.00
AC41980	RETAINING RING HYD	1.50
AC41990	BALL-HYD	1.50
AC42010	SCREW NEEDLE HYD	25.00
AC42030	THREAD SEAL 3/8NC	8.00
AC42040	WASHER FLAT HYD	3.00
AC42041	SEAL CHECK CAP	20.00
AC42042	SPRING SEAL CHECK	2.00
AC42044	O RING	2.00
AC42132	O RING GE 6 A VITON	3.00
AC42161	IMPELLER-GE 100A	185.00
AC42235	CAP SCRW GE-60-SS	1.50
AC42702	3/8" SL WSHR, SS	6.50
AC42710	IMPELLER FMC-75	50.00
AC42730	VTN SEAL, FMC-75	46.00
AC43046	HYD DRV SHFT, 304	195.00
AC43130	HSNG O-RING 300 SER	2.00
AC43205	SNP RNG; 300 SR MTR BRG	6.00
AC43225	BEARING 300 SERIES	40.00
AC46804	FMC-150	535.00
AC47030	1-1/2"x1-1/4" CCWMAG	1,015.00
AC47190	FMC 1-1/4"x1" CW	530.00
AC47250	CLTCH/PMP - SPRA-COUPÉ	1,085.00
AC47400	FMC CW 200	695.00
AC47512	FMC 2" CW Hvy DTY SC	932.00
AC47620	PTOC-600-6SP	1,285.00
AC49865	FMC-200-HYD-300-LM	1,005.00
AC49920	HYD206 E-COAT	1,160.00

# SPRAY TECH

MANUFACTURING, INCORPORATED

PART #	DESCRIPTION	LIST	PART #	DESCRIPTION	LIST	PART #	DESCRIPTION	LIST
AC49934	FMCS-200-300-LM	1,080.00	ALB025018	1/4" x 1/8" BSHG GALV	1.36	ALB150125SS	1-1/2" x 1-1/4" BSHG SS	23.07
AC50060	FMC-200SS-HYD-304	1,860.00	ALB025018BR	1/4" x 1/8" BSHG BRASS	1.68	ALB200050S	2" x 1/2" BSHG SS	35.19
AC52600	BELT GUARD KIT	137.50	ALB025018S	1/4" x 1/8" BSHG SS	3.83	ALB200075	2" x 3/4" BSHG GALV	12.31
AC52611	BELT GUARD HARDWARE	21.50	ALB038025	3/8" x 1/4" BSHG GALV	1.61	ALB200075SS	2" x 3/4" BSHG SS	35.19
AC600-B	PTO 540 - 1" STBSHFT	1,305.00	ALB038025B	3/8" x 1/4" BSHG BLK	2.11	ALB200100	2" x 1" BSHG GALV	11.64
AC60010QC	PUMP 600 RPM QC	1,305.00	ALB038025SS	3/8" x 1/4" BSHG SS	4.19	ALB200100B	2" x 1" BSHG BLK	6.90
AC60010SP	PUMP BELT CENTRIF	1,285.00	ALB050018	1/2" x 1/8" BSHG GALV	2.60	ALB200100SS	2" x 1" BSHG SS	35.19
AC60840	REPAIR KIT GE-75	68.00	ALB050025	1/2" x 1/4" BSHG GALV	2.59	ALB200125	2" x 1 1/4" BSHG GALV	11.64
AC60855	REPAIR KIT-GE100A	85.00	ALB050025B	1/2" x 1/4" BSHG BLK	2.34	ALB200125SS	2" x 1 1/4" BSHG SS	35.19
AC61160	GE 660 LE PUMP ONLY	625.00	ALB050038	1/2" x 3/8" BSHG GALV	2.50	ALB200150	2" x 1 1/2" BSHG GALV	9.89
AC61207	GE860-HONDA	3,455.00	ALB050038B	1/2" x 3/8" BSHG BLK	2.36	ALB200150B	2" x 1 1/2" BSHG BLK	6.90
AC70990	SEAT, TEFLON	22.00	ALB050038SS	1/2" x 3/8" BSHG SS	5.30	ALB200150S	2" x 1 1/2" BSHG SS	35.19
AC73010	O RING 2	3.00	ALB075018	3/4" x 1/8" BSHG GALV	3.82	ALB250200	2 1/2" x 2" BSHG GALV	16.71
AC73020	BODY O-RING	3.00	ALB075025	3/4" x 1/4" BSHG GALV	4.52	ALB300150	3" x 1 1/2" BSHG GALV	22.49
AC805L	SEAL-LEATHER	17.00	ALB075025B	3/4" x 1/4" BSHG BLK	3.60	ALB300200	3" x 2" BSHG GALV	23.77
AC90160	3/4" VALVTEC RH	498.00	ALB075025SS	3/4" x 1/4" BSHG SS	4.36	ALB300200B	3" x 2" BSHG BLK	17.00
AC90660	3/4" VLV RTCH	425.00	ALB075038	3/4" x 3/8" BSHG GALV	4.54	ALB300200SS	3" x 2" BSHG SS	92.40
ACFMC150RK	FMC 150 REPAIR KIT	56.50	ALB075038B	3/4" x 3/8" BSHG BLK	3.65	ALB300250	3" x 2 1/2" BSHG GALV	45.23
ACFMCRK	FMC REPAIR KIT	56.50	ALB075038SS	3/4" x 3/8" BSHG SS	7.75	ALB400200B	4" x 2" BSHG BLK	33.34
ACGE100A-LE	5/8" THRD PO GAS	620.00	ALB075050	3/4" x 1/2" BSHG GALV	4.28	ALB400300B	4" x 3" BSHG BLK	31.82
ACGE660H	GE660 PMP/GX160	2,110.00	ALB075050B	3/4" x 1/2" BSHG BLK	3.09	ALB400300SS	4" x 3" BSHG SS	168.14
ACGE660HES	GE660 w/HNDA, EL STRT	2,700.00	ALB075050SS	BSHG 3/4" x 1/2" SS	7.75	ALB600400B	6" x 4" BSHG BLK	89.08
ACGE75LE	1" x 3/4" PLY CNT PMP	290.00	ALB100025	1" x 1/4" BSHG GALV	6.30	ALCAP018	1/8" CAP GALV	1.23
ACGE7V	SEAL	75.00	ALB100038	1" x 3/8" BSHG GALV	7.18	ALCAP018HSS	1/8" HEX CAP SS	1.80
ACGE860HES	GE860 w/HNDA, EL STRT	3,885.00	ALB100038B	1" x 3/8" BSHG BLK	4.41	ALCAP018SS	1/8" CAP SS	2.96
ACGE860LE	CNT PMP LESS ENGINE	1,145.00	ALB100050	1" x 1/2" BSHG GALV	5.69	ALCAP025	1/4" CAP GALV	1.34
ACMAGCL	MAGCLUTCH ASSY	890.00	ALB100050SS	1" x 1/2" BSHG SS	10.77	ALCAP025HSS	1/4" HEX CAP SS	2.43
ACS200	SEAL SUPPORT SPACER	7.00	ALB100075	1" x 3/4" BSHG GALV	5.07	ALCAP025SS	1/4" CAP SS	4.24
AE2511	8000 TO GVS ADAPTER	105.00	ALB100075B	1" x 3/4" BSHG BLK	3.02	ALCAP038	3/8" CAP GALV	2.23
AE2544M	ADPT RAVN/DJ/DJ	118.50	ALB100075SS	1" x 3/4" BSHG SS	10.77	ALCAP038HSS	3/8" HEX CAP SS	3.00
AE2578	CABLE 8000/440	105.00	ALB125025	1-1/4" x 1/4" BSHG GALV	8.56	ALCAP038SS	3/8" CAP SS	4.99
AE2579	JD30 SERIES TO RVN440	105.00	ALB125038	1 1/4" x 3/8" BSHG GALV	8.56	ALCAP050	1/2" CAP GALV	2.72
AE2581	JD 30 / AMP/AMP	110.00	ALB125050	1-1/4" x 1/2" BSHG GALV	7.99	ALCAP050HSS	1/2" HEX CAP SS	2.42
AE2582	8320 TO KINZE/AMVAC	125.00	ALB125075	1-1/4" x 3/4" BSHG GALV	7.29	ALCAP050SS	1/2" CAP SS	5.18
AE2585	JD 30 SER AMP/RV CBL	110.00	ALB125100	1-1/4" x 1" BSHG GALV	7.29	ALCAP075	3/4" CAP GALV	3.90
AE2640	CABLE MX/KINZE PLTR	105.00	ALB125100B	1-1/4" x 1" BSHG BLK	4.24	ALCAP075HSS	3/4" HEX CAP SS	3.56
AE2641	CABLE MX/440	110.00	ALB125100SS	1-1/4" x 1" BSHG SS	19.28	ALCAP075SS	3/4" CAP SS	6.48
AE3259	ADPT RAVN/JD/MONITOR	118.50	ALB150025	1 1/2" x 1/4" BSHG GALV	18.52	ALCAP100	1" CAP GALV	4.32
AE3319	JD8-JD250-440	101.00	ALB150050	1 1/2" x 1/2" BSHG GALV	10.62	ALCAP100HSS	1" HEX CAP SS	7.32
AEMXVIPCAP	MX210 VIPCAP	105.00	ALB150075	1-1/2" x 3/4" BSHG GALV	10.62	ALCAP100SS	1" CAP SS	9.73
AEP1900	SKYTRAC/DJ MONITOR	120.00	ALB150075BR	1-1/2" x 3/4" BSHG BRASS	18.70	ALCAP125	1-1/4" CAP GALV	6.27
AEP2000	CASE RADAR/440CON	120.00	ALB150100	1-1/2" x 1" BSHG GALV	9.53	ALCAP125SS	1 1/4" CAP SS	17.63
AESKRVN250	SKRAVENJD250	115.00	ALB150125	1-1/2" x 1-1/4" BSHG GALV	8.80	ALCAP150	1-1/2" CAP GALV	7.99
AG2581	JD 30 / AMP/AMP	110.00	ALB150125B	1-1/2" x 1-1/4" BSHG BLK	4.98	ALCAP150SS	1 1/2" CAP SS	23.12

# SPRAY TECH

MANUFACTURING, INCORPORATED

PART #	DESCRIPTION	LIST	PART #	DESCRIPTION	LIST	PART #	DESCRIPTION	LIST
ALCAP200	2" CAP GALV	10.10	ALCUP300B	3" CPLR BLK	44.80	ALEL45200SS	45 DG ELB 2" SS	45.85
ALCAP200B	2" CAP BLK	6.69	ALCUP300SS	3" CPLR SS	103.98	ALEL45300	3" x 45 DG ELB GALV	99.68
ALCAP200SS	2" CAP SS	29.48	ALCUP400	4" CPLR GALV	133.03	ALHN018X0BR	1/8" x 0 HEX NIP BR	0.99
ALCROS025	1/4" CROSS GALV	16.85	ALCUP400B	4" CPLR BLK	89.41	ALHN025X0BR	1/4" x 0 HEX NIP BR	1.27
ALCROS025SS	1/4" CROSS SS	13.72	ALCUP400SS	4" CPLR SS	161.65	ALN018X0	1/8" x 0 NIP GALV	1.89
ALCROS038	3/8" CROSS GALV	16.85	ALEL018	1/8" ELB GALV	3.99	ALN018X0SS	1/8" x 0 NIP SS	2.19
ALCROS038SS	3/8" CROSS SS	16.36	ALEL018B	1/8" ELB BLK	2.68	ALN018X10	1/8" x 10" NIP GALV	9.07
ALCROS050	1/2" CROSS GALV	16.85	ALEL018SS	1/8" ELB SS	5.88	ALN018X2	1/8" x 2" NIP GALV	2.19
ALCROS050SS	1/2" CROSS SS	20.14	ALEL025	1/4" ELB GALV	3.79	ALN018X3	1/8" x 3" NIP GALV	2.70
ALCROS075	3/4" CROSS GALV	18.75	ALEL025B	1/4" ELB BLK	2.44	ALN018X4	1/8" x 4" NIP GALV	3.19
ALCROS075SS	3/4" CROSS SS	34.46	ALEL025BR	1/4" ELB BRASS	4.34	ALN018X5	1/8" x 5" NIP GALV	5.38
ALCROS100	1" CROSS GALV	21.18	ALEL025SS	1/4" ELB SS	5.88	ALN018X6	1/8" x 6" NIP GALV	6.05
ALCROS100SS	1" CROSS SS	51.01	ALEL038	3/8" ELB GALV	3.59	ALN018X6SS	1/8" x 6" NIP SS	7.84
ALCROS125	1-1/4" CROSS GALV	30.66	ALEL038SS	3/8" ELB SS	7.30	ALN018X8	1/8" x 8" NIP GALV	7.96
ALCROS125SS	1-1/4" CROSS SS	60.56	ALEL050	1/2" ELB GALV	2.31	ALN025X0	1/4" x 0 NIP GALV	1.97
ALCROS150	1-1/2" CROSS GALV	37.22	ALEL050SS	1/2" ELBOW SS	7.77	ALN025X0BR	1/4" x 0 NIP BRASS	2.60
ALCROS150SS	1 1/2" CROSS SS	75.04	ALEL075	3/4" ELB GALV	3.08	ALN025X0SS	1/4" x 0 NIP SS	2.49
ALCROS200	2" CROSS GALV	71.01	ALEL075SS	3/4" ELB SS	11.16	ALN025X10	1/4" x 10" NIP GALV	8.99
ALCROS200SS	2" CROSS SS	107.42	ALEL100	1" ELB GALV	5.15	ALN025X10A	1/4" x 10" NIP AL	12.35
ALCROS300B	3" CROSS BLK	171.80	ALEL100B	1" ELB BLK	4.24	ALN025X10S	1/4" x 10" NIP SS	14.83
ALCUP018	1/8" CPLR GALV	4.73	ALEL100SS	1" ELB SS	15.81	ALN025X12	1/4" x 12" NIP GALV	11.66
ALCUP018SS	1/8" CPLR SS	4.92	ALEL114100	1 1/4" x 1" RD ELB GALV	10.88	ALN025X12A	1/4" x 12" NIP AL	12.81
ALCUP025	1/4" CPLR GALV	4.40	ALEL125	1-1/4" ELB GALV	8.68	ALN025X12B	1/4" x 12" NIP BLK	8.00
ALCUP025B	1/4" CPLR BLK	3.63	ALEL125SS	1-1/4" ELB SS	27.74	ALN025X12S	1/4" x 12" NIP SS	17.56
ALCUP025SS	1/4" CPLR SS	4.78	ALEL150	1-1/2" ELB GALV	11.43	ALN025X15A	1/4" x 15" NIP AL	13.73
ALCUP038	3/8" CPLR GALV	4.40	ALEL150SS	1 1/2" ELB SS	36.93	ALN025X16A	1/4" x 16" NIP AL	14.42
ALCUP038B	3/8" CPLR BLK	3.94	ALEL200	2" ELB GALV	17.36	ALN025X18	1/4" x 18" NIP GALV	30.19
ALCUP038SS	3/8" CPLR SS	6.13	ALEL200B	2" ELB BLK	13.56	ALN025X18A	1/4" x 18" NIP AL	16.33
ALCUP050	1/2" CPLR GALV	3.49	ALEL200SS	2" ELB SS	46.82	ALN025X2	1/4" x 2" NIP GALV	2.46
ALCUP050SS	1/2" CPLR SS	6.28	ALEL250	2 1/2" ELB GALV	47.52	ALN025X24	1/4" x 24" NIP GALV	26.80
ALCUP075	3/4" CPLR GALV	4.07	ALEL300	3" ELB GALV	79.77	ALN025X24A	1/4" x 24" NIP AL	19.24
ALCUP075SS	3/4" CPLR SS	9.07	ALEL300B	3" ELB BLK	43.90	ALN025X25S	1/4" x 2" NIP SS	3.70
ALCUP100	1" CPLR GALV	6.70	ALEL300SS	3" ELB SS	135.91	ALN025X3	1/4" x 3" NIP GALV	3.21
ALCUP100S	1" CPLR SS	13.78	ALEL400B	4" ELB BLK	98.47	ALN025X3SS	1/4" x 3" NIP SS	5.06
ALCUP125	1-1/4" CPLR GALV	9.21	ALEL45025	1/4" x 45 DG ELB GALV	5.07	ALN025X4	1/4" x 4" NIP GALV	3.60
ALCUP125SS	1-1/4" CPLR SS	24.87	ALEL45025SS	45 DEG ELBOW 1/4 SS	7.43	ALN025X4SS	1/4" x 4" NIP SS	6.47
ALCUP150	1-1/2" CPLR GALV	10.52	ALEL45038	3/8" x 45 DG ELB GALV	5.07	ALN025X5	1/4" x 5" NIP GALV	5.10
ALCUP150SS	1-1/2" CPLR SS	26.00	ALEL45050	1/2" x 45 DG ELB GALV	3.88	ALN025X6	1/4" x 6" NIP GALV	6.18
ALCUP200	2" CPLR GALV	15.33	ALEL45075	3/4" x 45 DG ELB GALV	5.41	ALN025X6AL	1/4" x 6" NIP AL	9.49
ALCUP200B	2" CPLR BLK	11.43	ALEL45100	1" x 45 DG ELB GALV	6.24	ALN025X6SS	1/4" x 6" NIP SS	9.21
ALCUP200SS	2" CPLR SS	36.65	ALEL45125	1 1/4" x 45 DG ELB GALV	11.36	ALN025X7	1/4" x 7" NIP GALV	7.44
ALCUP250	2 1/2" CPLR GALV	46.86	ALEL45150	1 1/2" x 45 DG ELB GALV	13.58	ALN025X8	1/4" x 8" NIP GALV	7.58
ALCUP250B	2 1/2" CPLR BLK	33.16	ALEL45150SS	1 1/2" x 45 DG ELB SS	32.59	ALN025X8A	1/4" x 8" NIP AL	11.22
ALCUP300	3" CPLR GALV	62.64	ALEL45200	2" x 45 DG ELB GALV	20.24	ALN025X8SS	1/4" x 8" NIP SS	12.11

# SPRAY TECH

MANUFACTURING, INCORPORATED

PART #	DESCRIPTION	LIST	PART #	DESCRIPTION	LIST	PART #	DESCRIPTION	LIST
ALN038X0	3/8" x 0 NIP GALV	2.31	ALN075X8	3/4" x 8" NIP GALV	7.51	ALN150X6	1-1/2" x 6" NIP GALV	8.77
ALN038X0B	3/8" x 0 NIP BLK	1.77	ALN100X0	1" x 0 NIP GALV	2.75	ALN150X6B	1-1/2" x 6" NIP BLK	7.63
ALN038X0SS	3/8" x 0 NIP SS	2.98	ALN100X0B	1" x 0 NIP BLK	2.50	ALN150X6SS	1 1/2" x 6" NIP SS	32.81
ALN038X10	3/8" x 10" NIP GALV	9.56	ALN100X0SS	1" x 0 NIP SS	6.81	ALN150X8	1 1/2" x 8" NIP GALV	14.45
ALN038X12	3/8" x 12" NIP GALV	10.20	ALN100X10	1" x 10" NIP GALV	17.97	ALN200X0	2" x 0 NIP GALV	6.30
ALN038X2	3/8" x 2" NIP GALV	2.76	ALN100X2	1" x 2" NIP GALV	2.89	ALN200X0B	2" x 0 NIP BLK	5.24
ALN038X2-5	3/8" x 2 1/2" NIP GALV	3.09	ALN100X2-5	1" x 2 1/2" NIP GALV	3.15	ALN200X0SS	2" x 0 NIP SS	17.41
ALN038X2SS	3/8" x 2" NIP SS	4.38	ALN100X2SS	1" x 2" NIP SS	8.54	ALN200X10SS	2" x 10" NIP SS	69.88
ALN038X3	3/8" x 3" NIP GALV	3.47	ALN100X3	1" x 3" NIP GALV	3.47	ALN200X12	2" x 12" NIP GALV	28.83
ALN038X3-5	3/8" x 3 1/2" NIP GALV	4.47	ALN100X3B	1" x 3" NIP BLK	3.09	ALN200X2-5	2" x 2 1/2" NIP GALV	7.27
ALN038X3B	3/8" x 3" NIP BLK	2.75	ALN100X4	1" x 4" NIP GALV	4.75	ALN200X3	2" x 3" NIP GALV	7.54
ALN038X4	3/8" x 4" NIP GALV	4.47	ALN100X4B	1" x 4" NIP BLK	3.78	ALN200X3SS	2" x 3" NIP SS	22.44
ALN038X5	3/8" x 5" NIP GALV	6.11	ALN100X4SS	1" x 4" NIP SS	15.27	ALN200X4	2" x 4" NIP GALV	9.84
ALN038X6	3/8" x 6" NIP GALV	6.94	ALN100X5	1" x 5" NIP GALV	4.97	ALN200X4B	2" x 4" NIP BLK	7.68
ALN038X8	3/8" x 8" NIP GALV	7.68	ALN100X6	1" x 6" NIP GALV	5.69	ALN200X4SS	2" x 4" NIP SS	29.13
ALN050X0	1/2" x 0 NIP GALV	1.40	ALN100X8	1" x 8" NIP GALV	9.31	ALN200X5SS	2" x 5" NIP SS	35.82
ALN050X0B	1/2" x 0 NIP BLK	1.25	ALN125X0	1-1/4" x 0 NIP GALV	3.70	ALN200X6	2" x 6" NIP GALV	12.34
ALN050X0SS	1/2" x 0 NIP SS	3.84	ALN125X0B	1-1/4" x 0 NIP BLK	3.29	ALN200X6B	2" x 6" NIP BLK	10.34
ALN050X10	1/2" x 10" NIP GALV	5.78	ALN125X0SS	1 1/4" x 0 NIP SS	9.16	ALN200X6SS	2" x 6" NIP SS	42.50
ALN050X12	1/2" x 12" NIP GALV	7.83	ALN125X10	1 1/4" x 10" NIP GALV	19.76	ALN200X8B	2" x 8" NIP BLK	16.42
ALN050X2	1/2" x 2" NIP GALV	1.74	ALN125X12	1 1/4" x 12" NIP GALV	24.89	ALN250X0	2 1/2" x 0 NIP GALV	18.42
ALN050X2SS	1/2" x 2" NIP SS	5.55	ALN125X2	1-1/4" x 2" NIP GALV	3.84	ALN250X6	2 1/2" x 6 NIP GALV	25.54
ALN050X3	1/2" x 3" NIP GALV	1.97	ALN125X2SS	1-1/4" x 2" NIP SS	10.78	ALN300X0	3" x 0 NIP GALV	22.49
ALN050X3B	1/2" x 3" NIP BLK	1.70	ALN125X3	1-1/4" x 3" NIP GALV	4.58	ALN300X0B	3" x 0 NIP BLK	15.85
ALN050X4	1/2" x 4" NIP GALV	2.42	ALN125X3B	1 1/4" x 3" NIP BLK	4.16	ALN300X0SS	3" x 0 NIP SS	49.67
ALN050X4B	1/2" x 4" NIP BLK	2.12	ALN125X3SS	1 1/4" x 3" NIP SS	14.96	ALN300X10B	3" x 10" NIP BLK	37.45
ALN050X4SS	1/2" x 4" NIP SS	10.00	ALN125X4	1-1/4" x 4" NIP GALV	6.05	ALN300X4B	3" x 4" NIP BLK	18.00
ALN050X5	1/2" x 5" NIP GALV	2.92	ALN125X4SS	1 1/4" x 4" NIP SS	19.30	ALN300X4SS	3" x 4" NIP SS	68.65
ALN050X6	1/2" x 6" NIP GALV	3.30	ALN125X5	1-1/4" x 5" NIP GALV	6.47	ALN300X5B	3" x 5" NIP BLK	22.31
ALN050X8	1/2" x 8" NIP GALV	5.78	ALN125X6	1-1/4" x 6" NIP GALV	7.32	ALN300X6B	3" x 6" NIP BLK	25.05
ALN075X0	3/4" x 0 NIP GALV	1.87	ALN125X6B	1-1/4" x 6" NIP BLK	6.60	ALN300X6SS	3" x 6" NIP SS	92.44
ALN075X0B	3/4" x 0 NIP BLK	1.70	ALN150X0	1-1/2" x 0 NIP GALV	4.62	ALN300X8B	3" x 8" NIP BLK	33.35
ALN075X0SS	3/4" x 0 NIP SS	5.19	ALN150X0B	1-1/2" x 0 NIP BLK	3.96	ALN300X8SS	3" x 8" NIP SS	124.47
ALN075X12	3/4" x 12" NIP GALV	9.21	ALN150X0SS	1 1/2" x 0 NIP SS	11.21	ALN400X0	4" x 0 NIP GALV	32.15
ALN075X2	3/4" x 2" NIP GALV	2.12	ALN150X10	1 1/2" x 10" NIP GALV	18.02	ALN400X6SS	4" x 6" NIP SS	118.65
ALN075X3	3/4" x 3" NIP GALV	2.52	ALN150X12	1 1/2" x 12" NIP GALV	23.25	ALN600X0B	6" x 0 NIP BLK	73.56
ALN075X3-5	3/4" x 3 1/2" NIP GALV	2.78	ALN150X2	1 1/2" x 2" NIP GALV	4.86	ALPUG018	1/8" PLUG GALV	0.56
ALN075X3B	3/4" x 3" NIP BLK	2.28	ALN150X2B	1 1/2" x 2" NIP BLK	4.08	ALPUG018BR	1/8" PLUG BRASS	0.82
ALN075X3SS	3/4" x 3" NIP SS	9.27	ALN150X3	1-1/2" x 3" NIP GALV	5.59	ALPUG018SS	1/8" PLUG SS	2.54
ALN075X4	3/4" x 4" NIP GALV	3.05	ALN150X3B	1-1/2" x 3" NIP BLK	5.10	ALPUG025	1/4" PLUG GALV	0.61
ALN075X4B	3/4" x 4" NIP BLK	2.77	ALN150X3SS	1 1/2" x 3" NIP SS	17.42	ALPUG025BR	1/4" PLUG BRASS	1.15
ALN075X4SS	3/4" x 4" NIP SS	11.93	ALN150X4	1-1/2" x 4" NIP GALV	6.66	ALPUG025SS	1/4" PLUG SS	3.00
ALN075X5	3/4" x 5" NIP GALV	3.85	ALN150X4SS	1-1/2" x 4" NIP SS	22.55	ALPUG038	3/8" PLUG GALV	0.98
ALN075X6	3/4" x 6" NIP GALV	4.28	ALN150X5	1 1/2" x 5" NIP GALV	7.73	ALPUG038BR	3/8" PLUG BRASS	3.32



PART #	DESCRIPTION	LIST	PART #	DESCRIPTION	LIST	PART #	DESCRIPTION	LIST
ALPUG038SS	3/8" PLUG SS	4.02	ALR150075	1 1/2" x 3/4" RD CPLR GALV	12.71	ALSE45025	1/4" x 45 DG ST EL GALV	6.32
ALPUG050	1/2" PLUG GALV	1.59	ALR150100	1-1/2" x 1" RD CPLR GALV	11.24	ALSE45038	3/8" x 45 DG ST EL GALV	7.28
ALPUG050BR	1/2" PLUG BRASS	3.31	ALR150100B	1-1/2" x 1" RD CPLR BLK	9.17	ALSE45050	1/2" x 45 DG ST EL GALV	5.63
ALPUG050SS	1/2" PLUG SS	5.74	ALR150125	1 1/2" x 1 1/4" RD CPLR GALV	10.64	ALSE45075	3/4" x 45 DG ST EL GALV	9.05
ALPUG075	3/4" PLUG GALV	3.93	ALR200100	2" x 1" RD CPLR GALV	15.33	ALSE45100	1" x 45 DG ST EL GALV	11.20
ALPUG075BR	3/4" PLUG BRASS	6.82	ALR200125	2" x 1 1/4" RD CPLR GALV	16.21	ALSE45125	1 1/4" x 45 DG ST EL GALV	16.80
ALPUG075SS	3/4" PLUG SS	7.00	ALR200150	2" x 1 1/2" RD CPLR GALV	15.33	ALSE45150	1 1/2" x 45 DG ST EL GALV	18.21
ALPUG100	1" PLUG GALV	3.60	ALR200150SS	RD CPLG 2" x 1 1/2" SS	47.09	ALSE45200	2" x 45 DG ST EL GALV	34.99
ALPUG100BR	1" PLUG BRASS	19.01	ALR250200	2 1/2" x 2" RD CPLR GALV	47.44	ALSE45300	3" x 45 DG ST EL GALV	133.13
ALPUG100SS	1" PLUG SS	8.85	ALR300200	3" x 2" RD CPLR GALV	61.28	ALSE45300B	3" x 45 DG ST EL BLK	90.70
ALPUG125	1-1/4" PLUG GALV	6.03	ALR300200B	3" x 2" RD CPLR BLK	34.53	ALSF200	STEEL FLANGE 2"	34.75
ALPUG125BR	1-1/4" PLUG BRASS	15.32	ALR400200	4" x 2" RD CPLR GALV	136.45	ALT018	1/8" TEE GALV	5.35
ALPUG125SS	1 1/4" PLUG SS	17.63	ALR400300	4" x 3" RD CPLR GALV	136.45	ALT018SS	1/8" TEE SS	7.89
ALPUG150	1-1/2" PLUG GALV	8.18	ALR400300B	4" x 3" RD CPLR BLK	86.23	ALT025	1/4" TEE GALV	4.67
ALPUG150B	1 1/2" PLUG BLK	4.35	ALSE018	1/8" ST EL GALV	4.89	ALT025B	1/4" TEE BLK	3.69
ALPUG150SS	1-1/2" PLUG SS	21.01	ALSE018BR	1/8" ST EL BRASS	3.50	ALT025BR	1/4" TEE BRASS	5.12
ALPUG200	2" PLUG GALV	10.12	ALSE018SS	1/8" ST EL SS	8.40	ALT025SS	1/4" TEE SS	7.89
ALPUG200B	2" PLUG BLK	5.57	ALSE025	1/4" ST EL GALV	4.97	ALT038	3/8" TEE GALV	4.92
ALPUG200SS	2" PLUG SS	24.86	ALSE025BR	1/4" ST EL BRASS	3.30	ALT038SS	3/8" TEE SS	10.05
ALPUG250	2 1/2" PLUG GALV	19.97	ALSE025SS	1/4" ST EL SS	8.40	ALT050	1/2" TEE GALV	2.93
ALPUG300	3" PLUG GALV	27.48	ALSE038	3/8" ST EL GALV	5.15	ALT050025	1/2"x1/2"x1/4" TEE GALV	5.89
ALPUG300B	3" PLUG BLK	18.64	ALSE038SS	3/8" ST EL SS	10.11	ALT050B	1/2" TEE BLK	2.35
ALPUG300SS	3" PLUG SS	59.56	ALSE050	1/2" ST EL GALV	5.05	ALT050SS	1/2" TEE SS	10.54
ALR025018	1/4" x 1/8" RD CPLR GALV	4.07	ALSE050B	1/2" ST EL BLK	3.80	ALT075	3/4" TEE GALV	5.12
ALR038018SS	3/8" x 1/8" RD CPLR SS	7.77	ALSE050BR	1/2" ST EL BRASS	7.63	ALT075B	3/4" TEE BLK	3.49
ALR038025	3/8" x 1/4" RD CPLR GALV	4.13	ALSE050SS	1/2" ST EL SS	11.90	ALT075SS	3/4" TEE SS	16.78
ALR050018	1/2" x 1/8" RD CPLR GALV	4.62	ALSE075	3/4" ST EL GALV	4.87	ALT100	1" TEE GALV	7.58
ALR050025	1/2" x 1/4" RD CPLR GALV	3.76	ALSE075B	3/4" ST EL BLK	3.65	ALT100B	1" TEE BLK	5.99
ALR050038	1/2" x 3/8" RD CPLR GALV	3.49	ALSE075SS	3/4" ST EL SS	16.51	ALT100SS	1" TEE SS	21.37
ALR050038B	1/2" x 3/8" RD CPLR BLK	2.73	ALSE100	1" ST EL GALV	6.64	ALT125	1 1/4" TEE GALV	13.17
ALR075018	3/4" x 1/8" RD CPLR GALV	5.07	ALSE100B	1" ST EL BLK	5.37	ALT125B	1 1/4" TEE BLK	9.72
ALR075025	3/4" x 1/4" RD CPLR GALV	4.68	ALSE100SS	1" ST EL SS	28.56	ALT125SS	1 1/4" TEE SS	42.50
ALR075038	3/4" x 3/8" RD CPLR GALV	4.68	ALSE125	1 1/4" ST EL GALV	11.89	ALT150	1 1/2" TEE GALV	16.43
ALR075038B	3/4" x 3/8" RD CPLR BLK	3.70	ALSE125SS	1 1/4" ST EL SS	41.48	ALT150SS	1 1/2" TEE SS	52.83
ALR075050	3/4" x 1/2" RD CPLR GALV	4.13	ALSE150	1 1/2" ST EL GALV	14.63	ALT200	2" TEE GALV	27.42
ALR100038	1" x 3/8" RD CPLR GALV	8.45	ALSE150B	1 1/2" ST EL BLK	10.43	ALT200B	2" TEE BLK	20.56
ALR100050	1" x 1/2" RD CPLR GALV	6.46	ALSE150SS	1 1/2" ST EL SS	49.07	ALT200SS	2" TEE SS	67.86
ALR100075	1" x 3/4" RD CPLR GALV	6.32	ALSE200	2" ST EL GALV	23.12	ALT250	2 1/2" GALV TEE	73.63
ALR100075SS	RD CPLR 1" x 3/4" SS	13.41	ALSE200B	2" ST EL BLK	17.69	ALT300	3" TEE GALV	86.38
ALR125050	1 1/4" x 1/2" RD CPLR GALV	10.78	ALSE200SS	2" ST EL SS	66.45	ALT300B	3" TEE BLK	63.54
ALR125075	1 1/4" x 3/4" RD CPLR GALV	8.73	ALSE300	3" ST EL GALV	103.85	ALT300SS	3" TEE SS	209.76
ALR125100	1-1/4" x 1" RD CPLR GALV	8.73	ALSE300B	3" ST EL BLK	66.57	ALU018	1/8" UNION GALV	17.55
ALR125100S	1-1/4" x 1" RD CPLR SS	19.55	ALSE300SS	3" ST EL SS	135.35	ALU025	1/4" UNION GALV	17.00
ALR150050	1 1/2" x 1/2" RD CPLR GALV	12.71	ALSE45018	1/8" x 45 DG ST EL GALV	7.43	ALU038	3/8" UNION GALV	11.33

# SPRAY TECH

MANUFACTURING, INCORPORATED

PART #	DESCRIPTION	LIST	PART #	DESCRIPTION	LIST	PART #	DESCRIPTION	LIST
ALU050	1/2" UNION GALV	10.78	BAC11-1	SET SCREW BAC11	1.00	BAC4-A	O RING	8.00
ALU075	3/4" UNION GALV	11.83	BAC11-175	SPLIT RING 1 3/4"	155.00	BAC40	SET SCREW 3/8	1.00
ALU100	1" UNION GALV	14.77	BAC12	VOLUTE 1-1/4" x 1"	225.00	BAC44	LOCK WASHER 3/8	0.50
ALU125	1 1/4" UNION GALV	22.90	BAC12-150	VOLUTE 1-1/2" x 1-1/4"	275.00	BAC45	NUT 3/8 NC HEX	0.40
ALU125B	1 1/4" UNION BLK	17.00	BAC13	IDLER ARM	80.00	BAC46	SPACER 5/8	25.00
ALU150	1 1/2" UNION GALV	28.27	BAC14150HY	MOUNTING FRAME	360.00	BAC47	5/8 CAP SCREW	7.50
ALU200	2" UNION GALV	36.64	BAC14F	FRAME	240.00	BAC49	RETAINER RING	0.50
ALU200SS	2" UNION SS	98.30	BAC14HYD	FRAME HYD	300.00	BAC5	SPRING IDLER TORS	22.00
ARM10526	12" LID	25.75	BAC14MAG	FRAME FCMAG	290.00	BAC5-150	SPRING IDLER HD	24.00
ARM10527	12" THR VNT LID	30.60	BAC14MIA	FRAME FCMIA	250.00	BAC50	KEY BAC6 3/16	1.50
ARM15-19	15 GAL MIX-FIL	69.95	BAC15	HOUSING PTO SHAFT	185.00	BAC51	KEY BAC10 3/8x1/2	5.50
ARM200-32W	200 GAL HORZ TANK WHITE	200.00	BAC15-B	HSNG w/ MNTG FT	260.00	BAC54	SLINGER BAC6	1.50
ARM30-24	30 GAL MIX-FIL	83.82	BAC23-SS	NUT-3/8 NF HEX-SS	8.50	BAC55	ASSY IDLER BEARING	56.00
ARM30103	LID 12" INDUCTOR	29.95	BAC24HYD	WASHER 3/8SS HYD	1.50	BAC55A	ASSY IDLER ARM	169.00
AS1025RG	1025 LEG RUNNING GEAR	2,750.00	BAC25	KEY f/2" IMP	1.00	BAC57	SET SCREW	0.75
AS12HOOD-LB	12 R HOOD LAY-BY W/GWHL	16,385.00	BAC26	IMPELLER,VALOX LHT	80.00	BAC6CWSS	5/8 SHFT RH FINE TH SS	125.00
AS3500	8ROW 30 RIGID	3,460.00	BAC26-150	CI IMPELLER-150	190.00	BAC6HYDSS	SHAFT SLOTTED HYD	110.00
AS3598	8ROW LAY-BY UNIT	4,710.00	BAC26150P	IMPELLER-VALOX	82.00	BAC6SS	SHAFT SS 5/8	110.00
AS3890	3PT HITCH RACK ONLY	1,835.00	BAC26CI	IMPELLER CI LHT	170.00	BAC75-206	206 MOTOR	605.00
AS3PT110G	3PT SPRYR w/110RD TNK	2,450.00	BAC26HYD	IMPELLER VALOX	80.00	BAC75-206N	206 MOTOR NEW	595.00
AS3PT150G	3PT SPRYR w/150RD TNK	2,450.00	BAC26HYDCI	IMPELLER CI KEY	180.00	BAC75-210	MOTOR HYD210	625.00
AS3PT300G	3PT SPRYR w/300G TNK	4,277.78	BAC2810	V-BELT 10 GROOVE	55.00	BAC75HM	MOTOR HYD204	605.00
AS3PT55GB	3PT SPRYR 55G w/BM	1,533.33	BAC2810-150	BELT 540 RPM-150	60.00	BAC75LRK	75LHYD MOTOR RK	58.50
AS5021063	14" WHEEL X BOOM	35.00	BAC2810M	V-BELT 10 GROOVE	55.00	BAC75RK	KIT REPAIR 204-210	86.50
AS5112031	ROLLER FOR PRO FOLD BOOM	10.00	BAC2810M15	BELT 1000 RPM-150	60.00	BAC75RK-304	304 MOTOR REPAIR KIT	86.50
AS5273770	INNER BOOM LH HYD X FOLD	1,200.00	BAC288	V-BELT 8 GROOVE	60.00	BAC75RK310	REPAIR KIT 310	27.25
AS5273962	OUTER WING CABLE X BOOM	226.00	BAC288M	V-BELT 8 GROOVE	55.00	BAC76HYD	COUPLING HYD MTR	28.00
ASBA1653	53' BOOM WIDE DUALS	4,210.00	BAC2910	PULLEY 1.7 x 5/8"	75.00	BAC79	RESTRICTOR HYD204	28.00
ASFSATV25BL	25G SPRAYER BML	553.73	BAC2910-1.5	PULLEY 1.5 x 5/8"	75.00	BAC79-210	RESTRICTOR HYD210	37.00
ASLB2RADD	2 R ADD-ON F/ LAY-BY RIG	500.00	BAC30-175	PULLEY 6.375x2-3/8	245.00	BAC79C	SILICON CARBIDE SEAL	166.00
ASNW1000E-CR	1000G ELIP NRS WGN NO PLUMB	4,665.00	BAC3010	PULLEY 10.6x2	235.00	BAC7V	SEAL VITON FMC	47.00
ASRM11006	110 G 6ROW 3PT	2,400.00	BAC3010M	PULLEY 6.375x2	230.00	BAC81QC	SLEEVE QC DELRIN	31.00
ASSC15ATV-EC	15 GAL ATV 40	325.00	BAC3010M15	PULLEY 7.9x2	245.00	BAC82QC	SPRING	11.00
ASSC25TRL	25 GAL TRL	325.00	BAC31-1	BEARING-BAC10	46.00	BAC83QC	BALL	1.50
ASSCBN30	30' BOOMLESS SPRAYER KIT	249.80	BAC32	SNAP RING BAC6	0.50	BACH25	KEY 1/8x1/8x1/2	1.00
ASWS7402	FRNT RACK 8230JD NO WGHTS	924.00	BAC32S	SPACER-BAC6 SHAFT	6.00	BACH2810M	V-BELT 10 GROOVE	53.00
ASXFOLD	60 FT X FOLD	17,000.00	BAC33	SNAP RING BAC14	2.00	BACH32	SNAP RING BACH6SS	1.00
BAC-7-650	SEAL	88.00	BAC34	SNAP RING BAC15	4.50	BACH33	SNAP RING BACH14	1.50
BAC-7-660V	SEAL 6A-3/4	55.00	BAC35	SNAP RING BAC10	1.00	BACH36	SNAP RING BACH12	3.00
BAC10-175	SHAFT PTO 1-3/4	365.00	BAC36	SNAP RING BAC13	2.00	BACH4	GASKET BACH12	5.00
BAC1021SP	SHAFT PTO 1-3/8	330.00	BAC37	BALL BEARING BAC6	19.00	BACH5	IDLER SPRING PTOCH	22.00
BAC106QC	QUICK COUPLER SHAFT	285.00	BAC38	SPACER DRIVE SHAFT	30.00	BACH6SS	SHAFT 5/8 KEYED	85.00
BAC106SP	SHAFT PTO 1-3/8	280.00	BAC4	GASKET BAC12	3.00	BACL6HYDSS	SHFT f/LIP SEAL PMP	135.00
BAC11	COLLAR LOCKING	115.00	BAC4-150	O RING - HYD 206	8.00	BACL6SS	SHFT f/LIP SEAL PMP	130.00



PART #	DESCRIPTION	LIST
BACL7L	LIP SEAL LEATHER	32.00
BACL7V	SEAL - VITON	38.00
BE-M19	CHEMICAL BASKET	284.00
BE105352	CASE MG T4, SD MT 250TV	3,940.30
BE109192	300 G FM FRAME ONLY 225	1,354.48
BE109200	CASE MX MG FRNT FRM	1,354.48
BE110PL	7100 PLANTER RACK-23	482.00
BE250L8330	8330 IVT TRANS-S.MOUNT	3,776.12
BE250LCASE	250 STV SIDE MOUNT	3,776.12
BE250LJD	250 STV SIDE MOUNT	3,776.12
BE250LJD8270R	250 STV SIDE MOUNT	3,776.12
BE250TD	250G TEARDROP TANK	599.25
BE300JD-R	300G TD SIDEMOUNT RACK	3,776.12
BE300TD	300G TEARDROP TANK	650.00
BE3102	110-300 STRAP KIT	35.67
BE3104	STRAP F/23" TANK	18.50
BE341620	7x7 BAR MNT W/ SKID	886.57
BE380-N-20	200 GAL SDL L/STRP	94.60
BE380-N-30	300 GAL SDL L/STRP	94.60
BE380-N-55	SADDLE F/23" TANK	94.60
BE380-N110	SADDLE F/30" TANK	94.60
BE400TB	STL TNK BND 400G	65.67
BE402-7140	200 GAL FMS/SAD	1,149.26
BE402-N	200 GAL EL 1 PC SDL	495.83
BE402EL8JD	200 G FM S/SAD 8000	1,354.57
BE402ELMX	200 EL RACK S/SAD MX	1,354.57
BE403-7140	300 GAL FM-S/SAD	1,190.30
BE403-8230	300 GAL FR MT JD8230	1,518.66
BE403-JD8RT4	300 GAL FRT RACK TIER 4	1,518.66
BE403-N	300 G EL 1-PC SDL	625.00
BE403-PUMA	300 GAL FRT RACK	1,411.94
BE4038420	300 GAL RACK 8420	1,411.94
BE403EL50J	300 EL RACK 50/60FJD	1,395.53
BE403ELMAG	300 G FM S/SAD MGNM	1,280.60
BE403ELMX	300 G FM S/SAD MX	1,444.77
BE403JD752	300 G EL 7520	1,395.53
BE403JD7EL	300 G EL JD7000	1,395.53
BE403JD8EL	300 FFM S/SAD 8000	1,411.94
BE403MAGT4	300 EL FM RACK T4	1,781.34
BE403MX110	300 G FM MX-110	1,231.34
BE403MX215	300G EL FRMT MX215-305	1,444.77
BE403MX240	300 G FM MX-240	1,444.77
BE403MXM12	MXM 120 FM	1,411.94
BE404-7140	400 EL RACK MAG	1,280.60

PART #	DESCRIPTION	LIST
BE404-8230	400 GAL FR.MT JD 8230	1,518.66
BE404-N	400 G EL 1-PC SDL	647.90
BE4048420	400 GAL RACK 8420	1,411.94
BE404EL50J	400 EL RACK 50/60JD	1,395.53
BE404EL8JD	400 EL RACK 8000 JD	1,411.94
BE404ELMXM12	400 FM MXM 120	1,411.94
BE404J8020	400 GAL FR 8020	1,411.94
BE404JD8R	400 GAL FM R SER JD	1,518.66
BE404MAGT4	400 EL FM MAG T4	1,781.34
BE404MX215	400 GAL FM MX215	1,444.77
BE404MX240	400 GAL FM MX-240	1,444.77
BE404MX2XXT4	400 G FRT RK MX-2XX T4	1,444.77
BE500TVJD8	SIDE RACK L/TANKS	5,089.56
BE60FFHYD	60 FT FORWARD BOOM	6,320.60
BE712-12	ROCKER ARM SPRING	15.75
BE712-7	HINGE SPRING-FRONT	19.50
BE7123PH	12 ROW UP-RIGHT	5,089.56
BE712BUNGE	BOOM SPACER	15.24
BE7163PH	16 ROW UP-RIGHT	6,238.80
BE8010STR	SIDE STRAPS FOR 8010	420.00
BE8236	7M-560 BELT F IH	20.61
BE8238	7M-730 BELT F JD	33.00
BEJU110	CULT RACK ASSY	462.00
BEDOALL8	8 ROW DO-ALL	16,500.00
BEELSAD	300 GAL OVAL SADDLE	121.00
BEJDMTPLT	50/60 TV PLATES	292.00
BEM8	60/80 GAL M-F STAND	288.00
BEMX240 S/R	SIDE RACK MX240	3,365.67
BESAD250	SADDOLES 250 STV	221.64
BEWTBKTJD	WEIGHT BKT 7000	180.60
BEWTBKTJD2	WEIGHT BKT 8020	235.00
BEWTBKTMX	WEIGHT BKT MX-240	240.00
BO1333	HITCH PIN W/LYNCH	20.88
BO26177	HOSE ASSY	14.50
BO26259	20GAL TANK ASBY	135.00
BO26269	20GAL SADDLE	38.32
BO29075	HYD FILTER-MUD MASTER	78.65
BO295107	WING RETURN SPRING	32.54
BO3-3ANG	3x3 ANGLE F/TR	29.50
BO32092	MT BRKT ROPE CARRIER	103.40
BO32101	CARRIER U-BOLT	28.78
BO32257	120 WING SPT 360F	242.00
BO34659	FAN, MUDMASTER	129.01
BO370102	ROPE WICK ROPE ASB	9.04

PART #	DESCRIPTION	LIST
BO38373	CANOPY COVER	68.62
BO42665	ISOLATOR, UPR RADIATOR	20.25
BOC3830	FLDNG CNTR SCTN/COMP	458.40
BOEW40X	41'-8 BOOM-HYD	3,809.30
BOEW518X	51'-8 BOOM-HYD	4,008.40
BOH3850-1	3 CLAMP-SADDLE	37.40
BOHL-MM	HYD LIFT- MUDMASTER	1,235.00
BOMUDKIT	MUDMASTER	69,036.00
BOR120	ROPE ASSEMBLIES -120"	104.00
BOR160	ROPE ASSEMBLIES - 160"	142.00
BOR240	ROPE ASSEMBLIES - 240"	217.00
BOR90	ROPE ASSEMBLIES - 90"	76.02
BORD-B240	20' SUPPORT BAR	163.00
BORD160	ROPE WICK APP 160	1,666.00
BORD240	ROPE WICK APP 240	1,916.00
BORD240F	R-W APP 240 FOLD	2,737.00
BORD320	R-W APP 320 RIGID	2,382.00
BORD320F	ROPE WICK APP 320	3,040.00
BORD360F	R-W PP360 FOLD	3,174.00
BORDF2	FRAME ONLY-ROPE WICK	1,290.00
BORDH4	SADDLES & CLAMPS	120.00
BORDH6	SADDLES & CLAMPS	175.00
BORMSPR	RICEMATE SPRAYER	1,424.00
BOW3841	320 SUPPORT BAR-FOLDING	138.00
BOWS1670	WING STABILIZER -BW	398.00
BOWT120L	ROPE WICK 10 LF-22	294.56
BOWT120R	ROPE WICK 10 RT-22	294.56
BOWT160	LF ROPE WICK 13'-30	371.84
BOWT160R	RT ROPE WICK 13'-30	371.84
BOWT180	ROPE WICK 180 - 34	416.64
BOWT240	ROPE WICK 240 - 46	549.92
BOWT90	ROPE WICK 90 - 16	221.76
BOYMSPR	YARDMATE SPRAYER	425.00
BUFDBLU	PT BLUE FOAM DYE	21.72
BUFDRED	PT RED FOAM DYE	21.72
BUFDYEL	PT YELLOW FOAM DYE	21.72
BUODRED	1 PT RED OIL DYE	19.95
BUSDRC	SPRAY DYE RED CONC	14.95
BUSPRATRACR	PURPLE SPRAY TRACER	14.95
BUSPRTR-3	RED SPRAY TRCR QT	14.95
CA2133-P	MNTR EL 1/4" 4-PK	11.18
CA2134	MNTR EL 3/8"	1.94
CA2134-P	MNTR EL 3/8" 4-PK	7.45
CA2135	MNTR EL 1/2"	1.94

# SPRAY TECH

MANUFACTURING, INCORPORATED

PART #	DESCRIPTION	LIST	PART #	DESCRIPTION	LIST	PART #	DESCRIPTION	LIST
CA2136	MNTR EL 3/4"	1.94	CL438	T-BLT CLMP 4.38 - 4.76	6.45	CYDK6NH	NOZZLE HOLD 6DK	14.09
CA2140-P	EPDM ORNG 4-PK	2.65	CL456	T-BLT CLMP 4.56 - 4.94	6.50	CYDK7AT	7 ALL THREAD W/NUTS	2.92
CA2141	O RING-VITON	2.28	CL475	T BOLT CLAMP 4.75-5.06	12.95	CYDK8VR	8 ROD W/HLF BLK	9.73
CA2141-P	VITON ORNG 4-PK	6.91	CL600	6" T BOLT CLAMP	18.81	CYDK9AT	ALL THREAD 9 DK	2.42
CA2989	NOZZLE LOCK	2.95	CY3PT110RK	RACK 3PT 110 TANK	715.20	CYDKA14HR	DISK KT-14 HRZ. W/SET CLR	20.56
CA31WB	WASHER EPDM	0.79	CY3PT150RK	RACK 3PT 150 TANK	1,163.59	CYDROM	FLEX DROP 1/4" MPT	20.00
CA31WV	3/4" VITON WASHER	2.28	CY3PT200RK	RACK 3PT 200 TANK	1,163.59	CYDROM24	MALE DROP 24"	19.55
CA3430-1	REDBALL MON 1/4"	79.00	CY3PT25	SPRAYER 3PT 25 GAL	946.24	CYFENBLK	FENDER NOZZLE BLK	9.06
CA3430-2	REDBALL MON 3/8"	79.00	CY3PT25HG	25G 3PT HGUN HOSE	946.24	CYFIL30BND	30 MIX BAND	40.25
CA3430-274	RED BALL REPAIR KIT	20.00	CY3PT300RK	RACK 3PT 300RK	1,163.59	CYFILA150	1 1/2 QCK COUP UNIT	330.79
CA3430-4	RB MON SQZ 3/8"-4 COL	84.00	CY3PT300SPR	3PT 300G SPRYR CMP W/12' B	2,833.59	CYFILA150L	M-N-FILL 30 GAL 1 1/2	381.49
CA3430-5	RB MON SQZ 1/2"-4 COL	84.00	CY3PT55	SPRAYER 55G 3 PT	1,325.19	CYFILA200	2 QUICK COUP UNIT	341.61
CA3430-6	RB MON SQZ 3/8"-2 COL	55.00	CY3PT55HG	55G 3PT HGUN HOSE	1,149.86	CYFILA200L	30 MIX W/QC	388.42
CA3430-7	RB MON SQZ 1/2"-2 COL	55.00	CY75-2273	IH 900 W/ROLL PIN	33.60	CYFILB150	1 1/2 HOSE BARB UNIT	298.34
CA3999-2	4 C MOD MONITOR- 3/8"	79.00	CY75-723	TUBE-7100	40.25	CYFILB150L	30 GAL 1 1/2 BARB MIX	337.13
CA3999-38	ADD ON COLUMN	28.00	CY75-753	IH FUNGICIDE BKT	33.60	CYFILB200	2 HOSE BARB UNIT	299.75
CA39993438	STARTER COLUMN	32.00	CY75-763	IH TUBE	24.14	CYFILB200L	MIX-N-FILL 30 GAL	348.62
CA3CPIEGI	BREAKER SWITCH	25.90	CY75-773	SS DROPTUBE	40.25	CYFILST30	STAND 30 GAL MIX	130.04
CA3RB1000	RED BALL RING RED	0.43	CY75-796	TUBE 1200 IH	33.60	CYFILST80	STAND F/80 MIX	168.03
CA3RP2100	BLANK DISC	0.79	CY8302	L BRACKET BASAGRAN	2.92	CYFILSTND	STAND F/MIX-N-FIL	105.78
CA8165100	SET 4 RED PL BALLS	5.00	CY8304	MAIN BRACKET BASAGRAN	4.07	CYFLSBO15	BOLT-ON STND 15G MIX	87.23
CA8165101	SET 4 GRN PL BALLS	5.00	CY8306	LEXAN BASGRAN ARM	5.41	CYFLSBO30	BOLT ON STND 30G MIX	99.92
CA8165102	SET 4 BLK PL BALLS	5.00	CYAIRPUMP	AIR PUMP	13.92	CYFRTRDB	8R FERT DRIBBLER	193.52
CA8165105	SET 4 RED GL BALLS	6.25	CYAIRTUBE	AIR TUBE	2.92	CYHALFLBK	HALF BLK W SETSCRW	4.00
CAC12-EL	1/2" EL - RED BALL	2.86	CYB144-2	BKT MANIFOLD F/2	12.13	CYHOLBLK	HALF BLK W/BOLT	6.45
CAC12-M	1/2" STRT BRB	2.15	CYB144-3	BKT MANIFOLD F/3	12.13	CYHOLEL	1/4 EL W/BOLT	7.56
CAC38-EL	3/8" EL - RD BLL 4-PK	9.04	CYBASCCLMP	U CLMP W DUAL PLT	2.65	CYIF172012R	12 R IN-FURROW KIT JD1720	905.16
CAEL3412FS	REDBALL SWVL 1/2"	3.50	CYBASE1224	PUMP MOUNT BASE	43.84	CYIFTUBE	IN FURROW TUBING	0.67
CAEL3438FS	REDBALL SWVL 3/8"	3.50	CYBASLEQLT	BASLEX W/QJ CAP L/TIP/C/STR	39.16	CYIH1200	PLANTER BKT	19.25
CASS316200	SET 4 SS BALLS	7.50	CYBASLEX	BASGRAN ASY LEXAN	57.87	CYIH800	PLANTER BKT	16.65
CL130	T-BLT CLMP 1.30 - 1.70	5.25	CYBASLEXLT	BASLEX LESS TIP/C/S	39.16	CYJD1530	PLANTER BKT	16.01
CL162	T-BLT CLMP 1.62 - 1.87	5.28	CYBASLEXQ	BASGRAN ASY-QCAP	66.48	CYJD1720	1720 PLNTR BKT	17.82
CL181	T-BLT CLMP 1.81 - 2.06	5.33	CYBOOMHIN	BOOM HINGE	15.63	CYJD7100	PLNT BKT JD7100	16.61
CL193	T-BLT CLMP 1.93 - 2.18	5.38	CYBOOMTBK	BOOM TRACTOR BRACKET	13.39	CYJD7100C	7100 PLNT BRKT W/CTN WHEL	13.81
CL218	T-BLT CLMP 2.18 - 2.50	5.60	CYBOOMTR	BOOM TRUSS ROD	9.09	CYLANBKT	LANDOLL BRACKET	11.40
CL231	T-BLT CLMP 2.31 - 2.62	5.63	CYBSLEXLTQ	BAS L/TIP-QJ CAP	46.32	CYMN12	1/2 MANFLD NIP/STND	14.32
CL239	T-BLT CLMP 2.39 - 2.69	10.25	CYCD5PL	CD SPECIAL	15.30	CYMN34	MANFLD NIP W STND	16.22
CL250	T-BLT CLMP 2.50 - 2.81	5.80	CYCUL12LD	12 R LANDOLL KIT	1,063.37	CYMT100	MANIFOLD TEE 1	16.45
CL287	T-BLT CLMP 2.87 - 3.18	5.90	CYCUL8LD	8 ROW LANDOLL KIT	732.52	CYMT12	MANIFOLD TEE 1/2	15.49
CL313	T-BLT CLMP 3.13 - 3.44	5.95	CYCULBLK	NOZZLE BLOCK	11.18	CYMT125	MANIFOLD TEE 1 1/4	16.45
CL331	T-BLT CLMP 3.31 - 3.62	5.95	CYCUSTBM	CUSTOM BOOM		CYMT34	MANIFOLD TEE 3/4	15.71
CL343	T-BLT CLMP 3.43 - 3.75	6.00	CYDK10BP	10 BACK PLATE DK	9.89	CYPLK120012R	PLNTR KIT 1200 12ROW	667.57
CL350	T-BLT CLMP 3.50 - 3.85	6.08	CYDK16VR	DK ROD 16 VERT	15.70	CYPLK12008	PLNTR KIT 8R 1200	475.45
CL425	T-BLT CLMP 4.25 - 4.56	6.20	CYDK38LW	LOCK WASHER 3/8	0.09	CYPLK7300-8	7300 JD PLNTR KIT 8R	469.48



PART #	DESCRIPTION	LIST	PART #	DESCRIPTION	LIST	PART #	DESCRIPTION	LIST
CYPLK8006	PLNTR KIT 6 ROW	324.40	DE29300-69	3/8" SS NOZZLE	20.92	DE36968-05	BRACKET	2.87
CYPLKBTBP	BACKING PLATE-PLANTER	5.01	DE29800-17	CHECK VALVE	18.48	DE37575	3/8" BR TEE HSE CONN	13.75
CYPLKBLK	PLNTR NOZZLE BLOCK	14.79	DE30512	POWERED METAL HUB	19.80	DE37578	1/2" BR TEE HSE CONN	13.75
CYPLKIF	IN FURROW KIT/ROW	76.98	DE31352042	O-RING VITON	3.96	DE38109-2	SEAL KIT	115.39
CYPOLY1210	POLY PIPE	335.25	DE31352233	VITON O RING - 35449	12.45	DE38801	NEEDLE BEARING-END PLATE	8.50
CYRATCHET	RATCHET STRAP	14.62	DE31352234	VITON O RING - 39911	9.82	DE39908-2	3/4" Y STR 40M	31.19
CYRATCHET2	2 RATCHET STRAP	33.19	DE31500-1	40M SCR N 3/4" & 1"	6.89	DE39908-5	1" Y STR 40M	31.19
CYSKID200S	SKID SPRAYER	2,538.98	DE31500-10	STR SCR N DBL MESH	7.55	DE39909	STRNR CAP - 39911	39.12
CYSPOT100	100 LEG SPOT SR	517.43	DE31500-3	20M SCR N 3/4" & 1"	7.22	DE39911-2	1 1/2" Y STR 40M	62.29
CYSPOT15EC	ECONO SPOT SPRAYER	219.17	DE31500-4	80M SCR N 3/4" & 1"	12.71	DE39911-4	1 1/4" Y STR 20 M	66.42
CYSPOT15LG	15 L&G SPOT SPR	398.48	DE31661-8	5/8 SS SHAFT & ROTOR	85.80	DE39911-5	1 1/4" Y STR 40 M	66.42
CYSPOT25EC	25 ECONO SPOT SPR	277.61	DE32627131	STRAINER GASKET	0.80	DE39923-1	T-90 END PLATE SHAFT SIDE	135.00
CYSPOT25LG	25 L&G SPOT SPR	395.44	DE32627233	EPDM O RING - 35449	3.04	DE39925	WASHER	1.27
CYSPOT50	50 L&G SPOT SPR	491.29	DE32627237	EPDM GASKET - 45992	1.49	DE39935	TURBO NAME PLATE	2.27
CYTANKBD30	BAND FOR CYFILST30	27.77	DE32876	10 M SCREEN	11.91	DE3DFA38	3/8" STR HB X QA/7000 SER	1.16
CYTAWKIT	TAW HOSE KIT	241.02	DE33764-2	1/4" 45 BR SW	16.17	DE3DFE38	3/8" EL HB X QA/7000 SER	1.16
CYTIEBAR	PMP TIEBAR W CHAIN	18.27	DE34036	SPACER RAINDROP	0.43	DE4400C	4 ROLLER CW PUMP	158.40
CYTSTND	STAND F NY GAGE T	11.40	DE34790	PTO COUPLER 1000	21.45	DE4401D-M12	DIAMOND SER 4 RLR PMP 12V	679.00
CYWICK	HAND WICK APPL 10"	40.00	DE34793	TURBO 90 SHFT-1"	81.40	DE45005	LIP SEAL-TURBO 90	20.90
CYWLK8BM	8 WALKING BOOM	511.38	DE34912	GASKET	1.93	DE45134	WINGED NOZ CAP NY	0.92
DA7M600	BELT	15.18	DE34915-1	NYLON IMPELLER	42.90	DE45149-2	DCV MOD EPDM	10.03
DA7M800	BELT	16.78	DE34915-2	IMPELLER-1 1/4"	48.35	DE45161	1/2" TEE DELAFIT	3.63
DE08491	3/8" BR HOSE BARB	6.24	DE34942	WASHER	0.50	DE45992-2	1-1/2" Y STR 40M	49.50
DE10000-2	EYELET BODY 3/4" NY	4.74	DE34943	FACE SEAL HYD	52.80	DE46814-1	QUICK CPLR 5/8"	29.50
DE10001-1	EYELET BODY 1/2"	5.24	DE34944	CAP	4.40	DE46814-2	QUICK CPLR 7/8 "	29.50
DE13895-1	PRS REG 1/2" NY	23.10	DE34945-1	CENT PUMP HYD 4GPM	768.90	DE46814-3	QUICK CPLR 15/16"	29.50
DE13895-7	PRS REG 3/4" NY	23.10	DE35278	SLINGER GASKET	1.38	DE46935	COLLET COUPLER 1 3/8"	259.00
DE14095-1	SCREEN FOR 2000	4.74	DE35310	TAP ADAPTER	17.49	DE47317	PUMP SHAFT COLLET	83.60
DE14095-2	80 M SCR FOR 2000	4.74	DE35566-1	HYD PUMP 10 GPM	768.90	DE47426-1	1/2" TEE W/DCV	12.25
DE16228	BEARING	9.41	DE35735	QC ADPT 15/16" 540	58.00	DE47428-1	1/2" EL W/DCV	12.25
DE20468	VITON SEAL 6 RLR	6.33	DE35745	REPAIR KIT-HYD	68.20	DE47647	COLLET COUPLER 1 3/4"	299.00
DE2200-201	PUMP 1GPM NO SWITCH	67.00	DE35979	QC ADPT 15/16" 1-3/8	58.00	DE47927	T 90 SEAL	9.08
DE25156	SCRN 40M 1 1/4"-1 1/2"	13.86	DE35992	QC ADPT 15/16" 1-3/4	119.00	DE48120	BOOM CONTROL VALVE	39.27
DE25157	SCRN 20M 1 1/4"-1 1/2"	13.86	DE36286-4	1 1/4" ADPTRxHB NY	10.88	DE48394-2	REPAIR KIT - 7 R	37.40
DE25467	AGITATOR	27.72	DE36289-4	1 1/4"QCx1 1/4"HB NY	20.54	DE48394-3	REPAIR KIT - 8 R	38.50
DE26544	KEY FOR TURBO 90	1.27	DE36516-3	8 OUTLET MANIFOLD	18.48	DE4898410N	80-4R TIP NY	1.74
DE26545	TURBO 90 GSKT	3.08	DE36651	ROTOR	112.00	DE4901DSS	DIAMOND SER 4-RLR PMP-H	424.00
DE26547	SNAP RING-TURBO 90	0.94	DE36662-7	3/4" RA 200	49.10	DE5000PSW	PRS SWITCH 5000 SERIES	28.48
DE26548	SNAP RING-TURBO 90	2.26	DE36751	7 RLR ROTOR-OVERMOLDED	145.00	DE50024-1	EPDM CAP SEAL	0.98
DE26556-11	TURBO 90 w/FACE SEALS	729.00	DE36967F20	FLOOD NOZ QC F20 NY	15.00	DE50055	1/2" M BODY	1.06
DE26556-4	TURBO 90 PUMP	480.00	DE36967F30	FLOOD NOZ QC F30 NY	9.24	DE50079	DELAFIT - 3/8" EL	3.75
DE26665	DUST SHIELD-T90	1.71	DE36967F40	FLOOD NOZ QC F40 NY	9.24	DE50352-3	RAINDROP FLAT TIP	8.80
DE28455-2	REPAIR KITF/TURBO	47.00	DE36967F70	FLOOD NOZ QC F70 NY	9.24	DE50352-4	RAINDROP FLAT TIP	8.80
DE28709	TURBO IMP W/O HUB	52.80	DE36967F80	FLOOD NOZ QC F80 NY	9.24	DE50352-5	RAINDROP FLAT TIP	8.80

# SPRAY TECH

MANUFACTURING, INCORPORATED

PART #	DESCRIPTION	LIST	PART #	DESCRIPTION	LIST	PART #	DESCRIPTION	LIST
DES0560-2	3/4" RECIR Y STR	37.72	DEL20-80N	LT GREEN NYLON TIP	1.74	DUH16	CLMP 3/4" - 1"	0.64
DES0626-3	95 DEG EVEN RAINDROP	8.80	DEL3-80NY	BLUE NYLON TIP	1.74	DUH16SS	CLMP 3/4" - 1" SS	1.04
DES0626-4	95 DEG EVEN RAINDROP	8.76	DEL4-80	BRASS TIP	3.47	DUH192SS	CLMP 9 1/2" -12 7/16"	3.59
DES0626-5	95 DEG EVEN RAINDROP	8.80	DEL4-80NY	RED NYLON TIP	1.74	DUH20	CLMP 1" - 1 1/4"	0.64
DES0626-6	95 DEG EVEN RAINDROP	8.80	DEL5-80NY	BROWN NYLON TIP	1.74	DUH20SS	CLMP 1" - 1 1/4" SS	1.07
DES0626-8	95 DEG EVEN RAINDROP	8.76	DEL5-80SS	STN ST TIP	5.78	DUH24	CLMP 1 1/4" - 1 1/2"	0.65
DES1354-4	ULTRA PLUS NOZZLE	6.60	DEL6-80NY	NYLON TIP	1.74	DUH24SS	CLMP 1 1/4" - 1 1/2" SS	1.10
DES950-101	5-CHM QUAD PMP 5.3G 60PSI	217.33	DEL8-110S	STN ST TIP	5.78	DUH28	CLMP 1 1/4" - 3/4"	0.66
DES950-104E	115V 5.0G 60PSI PWRFLO	245.00	DEL8-80NY	WHITE NYLON TIP	1.74	DUH28SS	CLMP 1 1/4" - 1 3/4" SS	1.13
DESDF38	3/8" HBxQA, 5CH	2.88	DELFO-6SS	SS TIP 0 DEGREE	7.18	DUH32	CLMP 1 1/2" -2"	0.66
DE627	SEAL - SP GUN	1.39	DEMEACUP	MEASURING CUPS	0.28	DUH32SS	CLMP 1 1/2" -2" SS	1.17
DE630	GUN NOZZLE CAP	7.05	DEPK3DFA38	3/8" STR QA FTNG F/ 7800	5.10	DUH36	CLMP 1 3/4" - 2 1/4"	0.67
DE632	NOZ & GUN WASHER	0.92	DEPK5DFA12	1/2 STR. QA FITTING FOR 7800	14.99	DUH36SS	CLMP 1 3/4" - 2 1/4" SS	1.20
DE633-10	HG DISC SS 10	4.71	DEPK5DFA38	PACK 3/8" HBxQA, 5CH	14.99	DUH40	CLMP 2" - 2 1/2"	1.07
DE640	LOCKNUT	3.93	DEPK5DFE12	1/2" EL QA FTNG F/ 5900	6.10	DUH40SS	CLMP 2" - 2 1/2" SS	1.27
DE6600D	DIAMOND SER 6-RLR PMP	408.00	DEPK5DFE38	3/8" EL QA FTNG F/ 5900	14.97	DUH44	CLMP 2 1/4" - 2 3/4"	1.11
DE676	676 SPRING	4.95	DERA10NY	TAN RAINDROP	8.95	DUH44SS	CLMP 2 1/4" - 2 3/4" SS	1.31
DE678	END PLATE GASKET	1.74	DERA15NY	LT BLUE RAINDROP	8.95	DUH48	CLMP 2 1/2" - 3"	1.13
DE6900C	6 RLR PMP-NEW STYLE	198.92	DERA2NY	GREY RAINDROP	8.95	DUH52	CLMP 3" - 3 1/4"	1.23
DE6900D-SS	DIAMOND 6 RLR PRO	625.29	DERA4NY	RED RAINDROP	8.95	DUH52SS	CLMP 3" - 3 1/4" SS	1.42
DE6900RK	6900 SERIES REPAIR KIT	39.00	DERA5NY	BROWN RAINDROP	8.95	DUH56	CLMP 3 1/4" - 3 1/2"	1.27
DE7000D	DIAMOND SER 7-RLR PMP	483.00	DERA6NY	GRAY RAINDROP	8.95	DUH60	CLMP 3" - 3 1/2"	1.28
DE7800PSH	7800 HOUSING W/PRES.SW.	35.20	DERA8NY	RED RAINDROP	8.95	DUH64	CLMP 4"	1.33
DE7800PSW	PRESSURE SWITCH 7800 SER	29.85	DERK-8900	8900 SERIES RK	42.00	DUH72	CLMP 4" - 4 1/2"	1.43
DE7801301	7000 SER PUMP 1GPM	116.00	DEUHA55031E77	UPPER HSNG-5850	57.91	DUH96	CLMP 6"	2.07
DE7870-101Y	7.0GPM 100PSI PUMP	450.00	DEVHA55131E77	VALVE HOUSING 5850	46.88	DUM04SS	#4 CLAMP-SS	0.62
DE7970-101E-SB	FATBOY 7GPM 60PSI PUMP	450.00	DEVHA7863-7F77	VALVE ASSEMBLY	46.88	DUP133	1" EAR CLMP	0.30
DE825	BODY SPRAY GUN	13.86	DEWRW10NY	TAN NY CONE	5.48	DUP680	1 EAR CLAMP	0.30
DE826-1	TUBE 24 INCH GUN	20.79	DEWRW2NY	YELLOW NYLON CONE	5.48	DUP875	1/2 1 EAR CLAMP	0.30
DE8800D	DIAMOND SER 8 RLR PMP	473.00	DUEAR1518	2 EAR CLAMP	0.55	DUSL49	2 BOLT CLAMP	7.75
DE8900C-R	8 ROLLER-REVERSE	273.64	DUGS4	CLMP 3/16" - 1/4"	0.45	DUSL76	CLAMP - 2 BOLT	12.68
DE8900D-SS	DIAMOND SER 8 RLR PMP	735.18	DUGS4SS	CLMP 3/16" - 1/4" SS	0.59	EXPEDITE	EXP/DROP SHP FEE	
DE8900RK	8900 SERIES REPAIR KIT	49.00	DUGS6	CLMP 1/4" - 3/8"	0.48	FFA1GAL	FLUID FILM A 1 GAL	22.50
DED10NY	LT GREEN FLOOD TIP	2.50	DUGS6SS	CLMP 1/4" - 3/8" SS	0.59	FFAS1134FO	AEROSOL PEN/LUBE	7.50
DED15NY	BLK FLD TIP	2.50	DUH06	CLMP 1/4" -3/4"	0.60	FL02009004	MOTOR 12V	82.48
DED20NY	WHITE FLOOD TIP	3.00	DUH06SS	CLMP 1/4" -3/4" SS	0.84	FL02009027	12 V MOTOR	97.79
DED3NY	GRAY FLOOD TIP	2.50	DUH08	CLMP 3/8" - 1/2"	0.60	FL02019023	24 V DC MOTOR	81.09
DED4NY	WHITE FLOOD TIP	2.50	DUH08SS	CLMP 3/8" - 1/2" SS	0.86	FL02091060	60 PSI SWITCH	40.68
DED5NY	TAN FLD TIP	2.50	DUH10	CLMP 3/8" - 5/8"	0.62	FL03501505A	12V 1.35 GPM 60PSI	116.70
DED6NY	PURPLE FLD TIP	2.50	DUH104	CLMP 6" - 6 1/2"	2.22	FL03521500A	4.0 GPM 12V PMP 60PSI	184.33
DED7-5NY	LT BLUE FLD TIP	2.50	DUH105S	CLMP 3/8" - 5/8" SS	0.90	FL04100502A	12V 4.9 GPM	201.10
DELE2-80NY	YELLOW NYLON TIP	3.30	DUH12	CLMP 5/8" - 3/4"	0.62	FL1222-01D	PUMP 12V S/V 4C SW35	94.27
DEL10-80N	TAN NYLON TIP	1.74	DUH12SS	CLMP 5/8" - 3/4" SS	0.93	FL20028-09	CHECK VALVE BUNA	11.17
DEL15-80N	LT BLUE NYLON TIP	1.74	DUH148	CLMP 6 3/4" - 9 11/16"	3.16	FL20028-11	CHECK VALVE KIT	16.45



PART #	DESCRIPTION	LIST
FL20028-35	CK VALVE VIT N/FAB	20.23
FL20028-51	CK VALVE KIT-VI	20.23
FL20028-59	CK VALVE VIT N/FVT	20.23
FL20028-78	CK VALVE VIT 2 BP	20.23
FL20028-8	CHECK VALVE EPDM	10.66
FL20028-86	CK VALVE VIT N/F 2BP	26.71
FL20046-29	KIT SERVICE #611	32.23
FL20097-1	KIT - BRUSH	8.85
FL210126-0	VALVE POPPET	2.58
FL210132	GROMMETT SET	1.78
FL210132-5	FAN SHROUD KIT	5.38
FL210195-7	DIAPHRAGM BUNA	9.81
FL20378-2	BY PASS KIT	6.88
FL20381-000	QUAD PORTX1/2 QEST	3.72
FL20381-15	1/2 IN PORT KIT VI	3.72
FL20381-17	PORT KIT 1/2 HB 90	3.72
FL20381-2	QUAD X 1/2 BARB	3.72
FL20381-3	PORT KIT 5/8 HB	3.72
FL20381-31	PORT KIT 3/4 HB 90	3.72
FL20381-39	PORT KIT 1/2 MPT	4.31
FL20381-6	PORT KIT 3/4 HB	3.72
FL20381-9	ADAPTER 1/2" EL	3.72
FL20403-040	QUAD KIT DIA SANTO	14.21
FL20404-1	KIT QUAD SW45 PP	57.95
FL20404-7	UPPER HOUSING	54.57
FL20407-020	QUAD CHAMBER KIT-V	34.97
FL20407-30	QUAD CHAMBER KIT EPD	18.00
FL20428	BEARING COVER	9.65
FL20466-2	DIAPHRAGM KIT-5100	33.07
FL20500-507	PUMP HOUSING PP	15.19
FL2090-100	SWITCH 60 PSI	36.84
FL2090-103	PRESSURE SWITCH-4000	36.84
FL2090-115	95PSI SWITCH	36.84
FL20914003A	CHECK VALVE KIT	11.32
FL2095-101	PRESSURE SWITCH	36.84
FL2100-022	PUMP 115V DEM/V	209.95
FL2100-032	PUMP 115V STO 2C CW6	181.45
FL2100-122	PUMP 12V VIT 2C SW60	181.45
FL2100-132	PUMP 12V STO 2C SW60	153.56
FL2100-311	PUMP 24V B IC SW60	161.28
FL2100-312	PUMP 24V 2C 60	161.28
FL2100-573A	12V PUMP 2.1GPM 70 PSI	117.50
FL2100-650	PUMP 12V VIT 2C BP	195.45
FL2100-676	PUMP 12V VIT 2C FAN	202.79

PART #	DESCRIPTION	LIST
FL2100-735	PUMP 12V BUN 2C FAN	162.33
FL2100-815	PUMP 115V BUN	166.52
FL2100-901	PUMP 12V VIT2CBP50	171.70
FL21000407A	SET OF 2 BLUE CLIPS	4.15
FL21004102	DIA KIT VIT	49.29
FL21004402	DIA KIT	29.96
FL21010-1	KIT DIA -V/PP	33.93
FL21010-2	KIT DIA BUNA/PP	16.22
FL21010-3	KIT DIA EPDM/PP	16.22
FL21010-4	KIT DIA STD/PP	16.22
FL21010101	KIT DIA VIT/NY	34.16
FL21033-002	CAM BEARING-2C	20.25
FL21033-4	CAM BEARING-4C	20.25
FL21046-10	REPAIR KIT - 2100-122	62.75
FL2105084A	PUMP HEAD	81.22
FL2130-584	PUMP 110 V 2CBP	216.45
FL2135-561	PUMP 12V B/V 2C SW70	171.53
FL4100-502	12V PMP 3/4"	193.06
FL4300-042	FLOJET 4300042A	211.67
FL4300-143	PUMP 12V E3C-45FAN	190.80
FL4300-500	PUMP 12V 5/V2C-45	207.20
FL4300-501A	115V 4300 SERIES	229.65
FL5100-010	GAS PUMP BUNA	130.77
FLD2132F50	PUMP 12V VITON	146.86
FLD2132IS011A	12V PMP	175.80
FLD3131V5011A	DUP II 12V 1.6G DSL	165.92
FLD3231B5011A	D3231B5011A	158.33
FMC	CENT PUMP 1-1/4"x1"	440.00
FMC150MIA	CENT PUMP 150 I A	463.00
FMC200	2"x1-1/2" CCW PUMP	580.00
FMCCW150	CENT PUMP CW ROT	448.00
FMCCW150MG	1-1/2" x 1-1/4" CW	870.00
FMCCW200	1-1/2" x 1-1/4" CW	580.00
FMCCW200MG	2"x1-1/2" CW	1,005.00
FMCLHYD204T	PMP LIP SEAL	1,240.00
FMCMAG	1-1/4" x 1" CCW	815.00
FMCMIA	CENT PUMP MACH I A	455.00
FMK282M	BELT FMK	60.00
FMK302M	PULLEY 6 FMK	140.00
FMK302M175	6 20SP 2G PULLEY	160.00
FMK304M	6 21SP 4G PULLEY	150.00
FMK304M175	6 20SP 4G PULLEY	170.00
FMK60M	KEY BRASS FMK	1.50
GA030	GAUGE 0-30 PSI	8.70

PART #	DESCRIPTION	LIST
GA030160VG	GAUGE VAC/PRES GLY	23.70
GA0302-5	GAUGE 0-30 PSI	10.20
GA030G	GAUGE 0-30 PSI GLY	23.70
GA030GSS	GAUGE 0-30 GLY SS STEM	47.05
GA030VG	VAC GAUGE -30 GLY	23.70
GA060	GAUGE 0-60 PSI	8.20
GA0602-5	GAUGE 0-60 PSI	10.20
GA0604	GAUGE 0-60 4	21.20
GA0604G	GAUGE 0-60 4 GLY	60.50
GA060C	GAUGE 0-60 CTR MT	10.85
GA060G	GAUGE 0-60 PSI GLY	23.70
GA100	GAUGE 0-100 PSI	8.20
GA100004G	10000# GLY GAUGE 4"	60.50
GA10000G	GAUGE 0-10000 GLY	23.70
GA10002-5	GAUGE 0-1000 2.5	10.85
GA1000G	GAUGE 0-1000 GLY	23.70
GA1002-5	GAUGE 0-100 2.5	10.85
GA1004	GAUGE 0-100 4	21.20
GA1004G	GAUGE 0-100 4 GLY	60.50
GA1004GSS	GAUGE 0-100 4" G SS	87.20
GA1004NH3	GAUGE 0-100 AMMONIA	37.05
GA100C	GAUGE 0-100 CTR MT	10.85
GA100CG	GAUGE 0-100 CTR MT GLY	23.70
GA100G	GAUGE 0-100 PSI GLY	23.70
GA100GSS	GAUGE 0-100 SS GLY	47.05
GA160	GAUGE 0-160 PSI	8.20
GA1602-5	GAUGE 0-160 2.5	10.20
GA1604GSS	GAUGE 0-160 SS GLY 4	87.20
GA160CG	GAUGE 0 - 160 CTR MT GLY	22.55
GA160G	GAUGE 0-160 GLY	23.70
GA160GSS	GAUGE 0-160 SS GLY	47.05
GA200	GAUGE 0-200 PSI	8.20
GA2002-5	GAUGE 0-200 2.5	8.60
GA2004	GAUGE 0-200 4	21.20
GA2004G	GAUGE 0-200 GLY 4	60.50
GA200G	GAUGE 0-200 PSI GLY	23.70
GA300	GAUGE 0-300 PSI	8.20
GA30004G	3000# 4" GAUGE GLY	60.50
GA3000CG	GAUGE 0-3000 GLY CTR MT	47.05
GA3000G	GAUGE 0-3000 GLY	23.70
GA3002-5	GAUGE 0-300 2 1/2	10.20
GA300G	GAUGE 0-300 PSI GLY	23.70
GA4000G	GAUGE 0-4000 GLY	23.70
GA4002-5	GAUGE 0-400 2.5	10.20

# SPRAY TECH

MANUFACTURING, INCORPORATED

PART #	DESCRIPTION	LIST	PART #	DESCRIPTION	LIST	PART #	DESCRIPTION	LIST
GA4004CG	GAUGE 0-400 GLY 4" CM	60.50	GOCLR025H	1/4" x 1/8" THICK SG	0.78	GONREVA050	1/2" NR EVA HSE	1.65
GA4004G	GAUGE 0-400 GLY 4"	60.50	GOCLR025S	1/4" CLR WIRE REINF/FDGRD	3.68	GONREVA075	3/4" NR EVA HSE	2.58
GA4004GSS	GAUGE 0-400 GLY 4" SS	87.20	GOCLR038	3/8" SIGHT GAUGE HOSE	0.72	GONREVA100	1" NR EVA HSE	4.71
GA400G	GAUGE 0-400 GLY	23.70	GOCLR038B	3/8" BRAIDED CLR TBNG	0.75	GOPET075	3/4" PETRLM SUC HSE	5.45
GA50004G	5000# GLY GAUGE 4"	60.50	GOCLR050	1/2" SIGHT GAUGE HSE	0.81	GOPET100	1" PETRLM SUC HSE	6.05
GA5000G	GAUGE 0-5000 GLY	23.70	GOCLR050B	1/2" BRAIDED CLR TBNG	1.03	GOPET125	1 1/4" PETRLM SUC HSE	6.50
GA60004G	6000# GLY GAUGE 4"	60.50	GOCLR050H	1/2" HD SIGHT GA HSE	1.11	GOPET150	1 1/2" PETRLM SUC HSE	7.50
GA6000G	GAUGE 0-6000 GLY	23.70	GOCLR058	5/8" SIGHT GAUGE HSE	1.29	GOPET200	2" PETRLM SUC HSE	9.23
GA6002-5	GAUGE 0-600 PSI	10.20	GOCLR075	3/4" SIGHT GAUGE HSE	1.47	GOPET300	3" PETRLM SUC HSE	15.13
GA6004CG	GAUGE 0-600 GLY 4" CM	43.56	GOCLR100	1" SIGHT GAUGE HSE	1.80	GOPVC075	3/4" PVC SUC HSE	1.26
GA600CG	GAUGE 0-600 GLY CM	23.70	GOCLR125	1 1/4" SIGHT GA HSE	5.64	GOPVC100	1" PVC SUC HSE	1.38
GA600G	GAUGE 0-600 GLY	23.70	GOCLR150	1 1/2" SIGHT GA HSE	9.03	GOPVC100BLK	1" PVC SUC HSE BLK	2.11
GAASG60	60# AMM GAUGE	18.85	GODH300	3" DUST HOSE	11.40	GOPVC125	1 1/4" PVC SUC HSE	1.83
GAGD14	1/4" GAUGE DMPNR	9.50	GODH400	4" DUST HOSE	16.47	GOPVC150	1 1/2" PVC SUC HSE	2.16
GE7505	GEN FILTER 3/4	73.15	GODH500	5" DUST HOSE	19.76	GOPVC200	2" PVC SUC HSE	3.30
GE7506	GEN FILTER 1 FPT	74.47	GODH600	6" DUST HOSE	25.00	GOPVC250	2 1/2" PVC SUC HSE	5.55
GE7507	GASKET KIT GK-2	2.88	GOEPDM100	1" EPDM SUC HSE	3.09	GOPVC300	3" PVC SUC HSE	6.09
GE7508	BOWL F/3/4G F	13.25	GOEPDM125	1 1/4" EPDM SUC HSE	3.45	GOPVC400	4" PVC SUC HSE	9.99
GE7509	SCREEN 40M F/G F	22.00	GOEPDM150	1 1/2" EPDM SUC HSE	3.93	GOPVC500	5" PVC SUC HSE	23.34
GE7511	SCREEN 60M F/G F	22.00	GOEPDM200	2" EPDM SUC HSE	5.73	GOPVC600	6" PVC SUC HSE	27.39
GE7513	CENTER BOLT GF	3.25	GOEPDM300	3" EPDM SUC HSE	10.83	GOTUB025	BLK TUBING 1/4" OD	1.07
GNEXTCV	EXTERNAL CHECK VALVE	125.00	GOEPDM400	4" EPDM SUC HSE	16.77	GOTUB038	BLK TUBING 3/8" OD	2.40
GNPL 3 1/2	POWERLINK 3 1/2	498.05	GOEVA025	1/4" EVA NH3 HSE	0.51	GOTUB050	BLK TUBING 1/2" OD	0.65
GNPL 3 1/2 CV	POWERLINK 3 1/2 W/CV	750.00	GOEVA038	3/8" EVA NH3 HSE	0.63	GOUPS025	1/4" BLK SPRY HSE 100FT	70.00
GNPL 4 CV	POWERLINK 4W/CV	925.00	GOEVA050	1/2" EVA NH3 HSE	0.72	GOUPS038	3/8" BLK SPRY HSE 100FT	96.00
GNPL3	POWERLINK 3	392.58	GOEVA058	5/8" EVA NH3 HSE	0.84	GOUPS050	1/2" BLK SPRY HSE 100FT	138.75
GNPL3 1/2 RAM	PL 3 1/2 SHAFT	218.75	GOEVA075	3/4" EVA NH3 HSE	1.14	GOUPS058	5/8" BLK SPRY HSE 100FT	184.95
GNPL3 1/2 RK	PL 3 1/2 SEAL KIT	74.38	GOEVA100	1" EVA NH3 HSE	1.44	GOUPS075	3/4" BLK SPRY HSE 100FT	183.87
GNPL3RK	PL 3 SEAL KIT	51.56	GOHOSE	SPECIAL ORDER HOSE ASSY		GOUPS100	1" SPRY HSE 100FT	297.09
GNPL4RK	PL 4 SEAL KIT	80.00	GOHP050	600# 1/2" SPRY HSE	2.23	GOUPS125	1 1/4" BLK SPRY HSE 100FT	495.00
GNPLBARMX	SPACERBAR MX	41.00	GOK1154	3/8" RED PVC HSE	0.70	GOUPS150	1 1/2" BLK SPRY HSE 100FT	635.00
GNPLCVMX	CHECK VALVE ONLY MX	150.00	GOKURI-CUT	HOSE CUTTER	29.19	GOUPS200	2" BLK SPRY HSE 100FT	825.00
GNPLHOSES	PL HOSES	39.58	GOLDH125	1 1/4" LAYFLAT HSE	1.29	GOWIR125	1 1/4" WIRE SUC HSE	5.85
GNPLJDCV	PL 3 1/2 JD CV	720.00	GOLDH150	1 1/2" LAYFLAT HSE	0.63	GOWIR150	1 1/2" WIRE SUC HSE	6.87
GNPLMX230	POWERLINK WO/CV	498.05	GOLDH150HD	1 1/2" HVY DTY LAY FLT	2.03	GOWIR200	2" WIRE SUC HSE	7.92
GNPLSPAC	SPACER BAR	84.37	GOLDH200	2" LAYFLAT HSE	1.00	GOWIR250	2 1/2" WIRE SUC HSE	14.13
GO025X45PR	1/4" X 250# RED HOSE	0.87	GOLDH250	2 1/2" LAYFLAT HSE	1.02	GOWIR300	3" WIRE SUC HSE	11.28
GO125S-D	1-1/4" SCTN/DSC 100#	4.95	GOLDH300	3" LAYFLAT HSE	1.44	GOWIR400	4" WIRE SUC HSE	18.03
GO150S-D	1-1/2" SCTN/DISC 100#	5.64	GOLDH400	4" LAYFLAT HSE	1.86	GP113255-1	1" METER-FUEL	151.80
GO200S-D	2" SCTN/DISC 100#	6.84	GOLDH600	6" LAYFLAT HSE	3.12	GP116000-1	5 GAL CAL JUG	64.66
GO300S-D	3" SUC/DSCHRG #100	12.09	GOMIL150	1 1/2" MILL HSE	2.40	GP118000-1	12 V PUMP	335.00
GO600X050P	1/2" x 600# PVC HSE	1.53	GOMIL200	2" MILL HSE	2.49	GP118602-10	REMOTE 12V ASSEMBLY	805.00
GOCLR025	1/4" SG HOSE	0.60	GONREVA025	1/4" NR EVA HSE	0.90	GP120000-1	METER	253.00
GOCLR025B	1/4" CLR BRAIDED	0.51	GONREVA038	3/8" NR EVA HSE	1.44	GP203SS	2" SS FLOW METER	1,134.00

# SPRAY TECH

MANUFACTURING, INCORPORATED

PART #	DESCRIPTION	LIST	PART #	DESCRIPTION	LIST	PART #	DESCRIPTION	LIST
GP381-9355	110 V 12 GPM PUMP	248.50	GTTADF02	TD ASYM DUAL FAN 02	22.95	GTWM10	WIND METER	75.00
GPM120H	12V BTRY HERB PUMP	329.00	GTTADF025	TD ASYM DUAL FAN 025	22.95	GY025X2SP	1/4" x 200# BLK	1.32
GPM150S	12V PUMP FUEL	325.00	GTTADF03	TD ASYM DUAL FAN 03	22.95	GY025X4SP	1/4" x 250# BLK	1.71
GR1P746A	TEEL PUMP ONLY	301.00	GTTADF04	TD ASYM DUAL FAN 04	22.95	GY038X2SP	3/8" x 200# BLK	0.99
GR1P778	TEEL GEAR PUMP	327.00	GTTADF05	TD ASYM DUAL FAN 05	22.95	GY038X4SP	3/8" x 250# BLK	2.16
GR2X464	TOGGLE SWITCH	6.00	GTTADF06	TD ASYM DUAL FAN 06	22.95	GY050X2SP	1/2" x 200# BLK	1.32
GR4F740	VACUUM PUMP	483.00	GTTADF08	TD ASYM DUAL FAN 08	22.95	GY050X4SP	1/2" x 250# BLK	1.89
GR6Z836	1/4 HP AIR COM	425.00	GTTADF10	TD ASYM DUAL FAN 10	22.95	GY058X2SP	5/8" x 200# BLK	1.65
GST150P	STRAINER 1-1/2" PP	13.25	GTTCP11004	CAP/TIP XL02	3.00	GY058X4SP	5/8" x 250# BLK	2.67
GST150RH	STRAINER 1-1/2" STL	12.33	GTTCP11005	CAP/TIP XL025	3.00	GY075X2SP	3/4" x 200# BLK	2.11
GST200P	STRAINER 2" PP	13.25	GTTCP11006	CAP/TIP XL03	3.00	GY075X4SP	3/4" x 250# BLK	2.77
GST200RH	STRAINER 2" STL	18.63	GTTCP11008	CAP/TIP XL04	3.00	GY100X2SP	1" x 150# BLK	2.95
GST300P	STRAINER 3" PP	20.03	GTTCP11010	CAP/TIP XL05	3.00	GY100X4SP	1" x 200# BLK	3.13
GST300RH	STRAINER 3" STL	27.18	GTTCP11012	CAP/TIP XL 06	3.00	GY125X4SP	1 1/4" x 150# BLK	7.76
GST400RH	STRAINER 4" STL	30.55	GTTDCFFC04	CERAMIC HIGH PRESSURE	29.25	GY150X4SP	1 1/2" x 200# BLK	8.38
GTAM11001	AIR-MIX TIP #01	5.99	GTTDCXL015	CERAMIC LOW PRESSURE	22.95	GY200X4SP	2" x 200# BLK	14.88
GTAM110015	AIR-MIX TIP #1.5	5.99	GTTDCXL02	CERAMIC LOW PRESSURE	22.95	HH00373	LOCKEASE 1-1/4" x 12"	20.00
GTAM11002	AIR-MIX TIP #02	5.99	GTTDCXL025	CERAMIC LOW PRESSURE	22.95	HH80150	LOCKEASE 3/4" x 4-1/2"	22.50
GTAM110025	AIR-MIX TIP #2.5	5.99	GTTDCXL03	CERAMIC LOW PRESSURE	22.95	HH80160	LOCKEASE 3/4" x 6"	22.50
GTAM11003	AIR-MIX TIP #03	5.99	GTTDCXL04	CERAMIC LOW PRESSURE	22.95	HH80170	LOCKEASE 7/8" x 6"	23.50
GTAM11004	AIR-MIX TIP #04	5.99	GTTDCXL05	CERAMIC LOW PRESSURE	22.95	HH80180	LOCKEASE 1" x 6"	24.50
GTAM11005	AIR-MIX TIP #05	5.99	GTTDCXL06	CERAMIC LOW PRESSURE	22.95	HO07-600	GX160 GAS TANK	30.45
GTAM11006	AIR-MIX TIP #06	5.99	GTTDCXL08	CERAMIC LOW PRESSURE	22.95	HO07-601	GX240 GAS TANK	30.45
GTAMCQ015	AIR-MIX 015 CQ	10.55	GTTDVC02	HP CERAMIC VENT. 02	20.25	HO0994855	FILTER COVER NUT	3.15
GTAMCQ02	AIR-MIX 02 CQ	10.55	GTTDVC025	HP CERAMIC VENT. 025	20.25	HO1431105	MUF SHIELD SCREW 8HP	0.97
GTAMCQ03	AIR-MIX 03 CQ	10.55	GTTDVC03	HP CERAMIC VENT. 03	20.25	HO2108298	STARTER SOLENOID 8HP	58.79
GTAMCQ04	AIR-MIX 04 CQ	10.55	GTTDVC04	HP CERAMIC VENT. 04	20.25	HO2455608	CARB FLOAT KIT 5.5HP	17.69
GTAMCQ05	AIR-MIX 05 CQ	10.55	GTTDVC05	HP CERAMIC VENT. 05	20.25	HO2481653	AIR CLEANER BASE	25.88
GTAMCQ06	AIR-MIX 06 CQ	10.55	GTTDXL01	TURBO DROP XL 01	13.95	HO2482594	MUF GSK GX240	12.62
GTC04	CAP 04	1.05	GTTDXL015	TURBO DROP XL 015	13.95	HO2581353	STARTER REWIND BOLTS	0.62
GTC06PP	CAP 06	1.05	GTTDXL02	TURBO DROP XL 02	13.95	HO2787869	KILL SWITCH GX160	10.60
GTCADF	ASYM DUAL FAN CAP	10.55	GTTDXL025	TURBO DROP XL 025	13.95	HO30-404	AIR FILTER GX160	11.55
GTDF-ORAS	DF TIP PLATE ORING	0.55	GTTDXL03	TURBO DROP XL 03	13.95	HO31-052	RECOIL STARTER-HONDA	67.84
GTDF-SP8	DF TIP PLATE	2.00	GTTDXL04	TURBO DROP XL 04	13.95	HO31-060	STARTER REWIND 11HP	53.71
GTDF12	ASYM DUAL NOZ	13.50	GTTDXL05	TURBO DROP XL 05	13.95	HO33-502	BATTERY TENDER	70.26
GTG125	EPDM GASKET	0.45	GTTDXL06	TURBO DROP XL 06	13.95	HO35-038	GX160 MUFFLER	30.45
GTGH170	HARDI ADAPTER GASKET	1.45	GTTDXL08	TURBO DROP XL 08	13.95	HO35-041	MUFFLER SHIELD	
GTGTS50M	GRIPPER TIP STRAINER	3.15	GTTDXL10	TURBO DROP XL 10	13.95	HO3511383	CARB GSKT SET 8&11HP	10.45
GTQC02	QUICK CHECK CAL JUG	30.95	GTTDXLV-015	XL VENTURI 015	11.25	HO3683547	CARB. GASKET	1.25
GTQHC068	HOLLOW CONE 068	5.35	GTTDXLV-2	XL VENTURI 02	11.25	HO3683620	THROTTLE PLATE	12.80
GTTACDF03	TD ASYM DF 03 CER	31.25	GTTDXLV-3	XL VENTURI 03	11.25	HO3683919	STARTER SPRING	14.20
GTTACDF04	TD ASYM DF 04 CER	31.25	GTTDXLV-4	XL VENTURI 04	11.25	HO4193082	KILL SWITCH Y HARNESS	5.57
GTTACDF06	TD ASYM DF 06 CER	31.25	GTTDXLV-6	XL VENTURI 06	11.25	HO4500146	OIL PLUG	4.02
GTTACDF08	TD ASYM DF 08 CER	31.25	GTTDXLV2.5	XL VENTURI 2.5	11.25	HO4723144	CASE COVER GASKET 5.5HP	4.42

# SPRAY TECH

MANUFACTURING, INCORPORATED

PART #	DESCRIPTION	LIST	PART #	DESCRIPTION	LIST	PART #	DESCRIPTION	LIST
HO50-425	GX160 MUF GSKT	3.93	HY1321-8	QC ADPTR 1000 5/8"	64.75	HY1541A-SP	2.5HP TRANSFER PUMP	529.00
HO50-638	CARB GX160	51.45	HY1321-9	QC ADPTR 1000 15/16"	63.50	HY1542P-5SP	2" CNT PMP 6.5HP PRO	638.00
HOS344817	GAS TANK CAP	9.60	HY1323-72	7R QC 540 x 1 3/8"	60.00	HY1543P-130ESP	3" PLY PMP 13HP PWR PR E/S	1,698.00
HO55-126	FUEL CAP-HONDA	9.53	HY1323-73	7R QC 1000 x 1 3/8"	65.00	HY1549200C1	CASING-PUMP	333.00
HO6145338	THROTTLE GX160	6.83	HY1323-74	6R QC 540 x 5/8"	58.25	HY154FG01L100	1.5" 400FG 100 1/8LM	34.25
HONGK7133	HONDA 5.5 SPARK PLUG	4.00	HY1323-76	MULTI SP 15/16 QC	60.00	HY157-9200C	CASING-ASSY	198.00
HOSTRW5-5	STARTER REWIND GX160	71.90	HY13883	GEAR	113.20	HY15Q2530TC	ACID-RESIST TWIN CAP	12.84
HY003430	NZL 3.0MM F/002201	14.68	HY1410-18	SUPPORT RING 5210	2.20	HY1600-13	PIN	1.00
HY003440	NZL 4.0MM F/002201	14.68	HY1410-30	BACKING PLATE	4.93	HY1610-11	KEY	1.58
HY003460	NZL 6.0MM F/002201	14.68	HY1410-54	BACKING PLATE	31.50	HY1610-12	WOODRUF KEY 9000	1.24
HY0514-2500	SHAFT	320.00	HY1410-56	SLINGER RING 9000	1.24	HY1610-15	KEY	1.75
HY0750-1540P	PUMP FLANGE	37.25	HY1410-6	SLINGER RING 5200	2.89	HY1610-31	KEY	4.28
HY0750-9300C	MOUNTING FLANGE	130.00	HY1410-73	SPACER	5.80	HY1610-32	KEY 9400	7.54
HY100-1543P	PUMP HOUSING 1543	181.00	HY1410-74	SPACER	1.25	HY1610-33	WOODRUFF KEY 9400	7.54
HY1002-4	POLY ROLLER	3.15	HY1410-81	SPACER - 9400	5.75	HY1610-34	KEY - 9400	2.12
HY1005-2	SUPER ROLLER	3.85	HY1410-82	SPACER	5.01	HY1610-4	SPLINE KEY 9200	1.68
HY1005-4	SUPER ROLLER	3.68	HY1410-83	SLINGER RING	1.95	HY1610-5	SPLINE KEY 7700	1.62
HY1005-5	SUPER ROLLER	8.08	HY1410-94	SPACER	32.00	HY1610-59	KEY SS 1/4	4.50
HY100C5200	BODY 5200C PUMP	237.00	HY1410-95	SPACER IDLER	7.50	HY1700-100	GASKET	4.65
HY1055-2	TEFLON ROLLER - 4101	24.93	HY141418	MISTING TEE	1.64	HY1700-101	GASKET	5.52
HY1055-4	TEFLON ROLLER	18.59	HY1420-1	COLLAR - 4101	5.98	HY1700-208	2" POLY FLAPPER VLV	7.15
HY108C5300	BODY 5321-5324 PMP	123.00	HY1440-12	SEAL RING-5200	3.94	HY1700-209	DIFFUSER GASKET	0.84
HY11628CSHW	LIP SEAL	13.97	HY1440-37	GUIDE 5321 PUMP	6.78	HY1700-210	GASKET IMP	0.84
HY12256	SEAT	13.00	HY1440-4	GUIDE 5300 PUMP	6.25	HY1700-44	GASKET BUNA F3350	1.01
HY12314	SEAL ASSEMBLY	13.75	HY1440-5	GUIDE 5200 PUMP	8.93	HY1700-45	GASKET VITON F3350	7.60
HY1320-15	3/4" x 5/8" ADAPTER	40.25	HY1450-4	BUMPER 9000 PUMPS	1.03	HY1700-47	STATO SEAL	4.03
HY1320-16	ADAPTER 4101 SER	39.25	HY150-1540P	2" POLY PUMP DIFF	33.25	HY1700-51	GSKT BUNA 1 1/4" STR	20.65
HY1320-22	ADPT 540 5/8" 6-SP	25.76	HY150-1543P	PUMP VOLUTE	33.50	HY1700-57	GASKT BUNA 1 STR	1.41
HY1320-33	ADPT 540 15/16" 6-SP	36.25	HY150-2500C	BDY ASSY-SP	141.00	HY1700-58	GASKT VITON 1 STR	10.07
HY1320-38	ADPT1000 15/16" 21-SP	47.75	HY1509000C	CSNG 1 1/2" x 1 1/4"	225.00	HY1700-63	GASKET EPDM 1 1/4"	33.50
HY1320-53	ADPT 1000 5/8" 21-SP	39.00	HY150C9200	CSNG 1 1/4" x 1"	249.00	HY1700-64	GASKET BUNA 1/4 ST	0.97
HY1320-54	ADAPTER & KIT	59.50	HY1510-54	BASE	13.92	HY1700-65	GSKT VITON 1/4 STR	3.09
HY1320-59	ADAPTER 5200 PUMP	49.75	HY1514	1/4" x 1/4" FNPT PLY	12.50	HY1700-90	GASKET-EPDM	1.02
HY1320-66	ADPTR 1 3/8" x 15/16" 6-SP	73.50	HY1519200C	CSNG 2" x 1 1/2"	256.00	HY1700-91	GASKET EPDM 1/2 - 3/4	1.41
HY1320-76	7 R CPLR 540 x 1 3/8"	41.75	HY1520-34	MOUNTING CLIP 9000	75.75	HY1700-92	GASKET EPDM	1.77
HY1320-77	6R CPLR 540 x 1 3/8"	40.25	HY152607TC	EF3 TWIN CAP	5.64	HY1700-97	GASKET	7.33
HY1320-78	7R CPLR 1000 x 15/16"	50.25	HY1529000C	PUMP CASING	212.00	HY1700-98	O RING	0.98
HY1320-79	6R CPLR 1000 x 1 3/8"	38.75	HY1532C-6SP	6.5 HP PWR PR/CI PMP	1,035.00	HY1710-17	GASKET	1.47
HY1320-80	7R CPLR 1000 x 1 3/4"	74.00	HY1533C-13ESP	3" CST PMP 13HP ES	2,128.00	HY1720-104	O RING 4000 PUMPS	0.96
HY1320-81	ADAPTER KIT	76.50	HY1534	DIAPHRAGM PUMP	2,210.00	HY1720-110	O RING 9303C-HM	1.18
HY1321-12	540/1000 ADPTR-6 RLR	52.50	HY1536SP	2" CNT PMP SHP B/S	1,807.00	HY1720-131	O-RING	1.00
HY1321-13	540/1000 ADPTR 7-8 RLR	55.75	HY1537	CNT PMP / HNDA 5.5	2,080.00	HY1720-135	O-RING	1.05
HY1321-6	QC ADPTR 540 5/8"	53.50	HY1537SP	2" CNT PMP SHP HNDA	2,595.00	HY1720-139	O-RING	3.25
HY1321-7	QC ADPTR 540 15/16"	58.00	HY15400FG01B60	1.5 400FG 0/60 1/8CBM	34.25	HY1720-14	O RING 7700 PUMP	2.23

# SPRAY TECH

MANUFACTURING, INCORPORATED

PART #	DESCRIPTION	LIST	PART #	DESCRIPTION	LIST	PART #	DESCRIPTION	LIST
HY1720-180	O-RING	4.59	HY200-4001C	END PLATE KIT	53.25	HY2230-9	SET SCREW 1500+	1.96
HY1720-19	O RING 5200 PUMP	0.95	HY2000-10	BEARING 9303C-HM	10.17	HY2230B-AP	PLUNGER PUMP	719.00
HY1720-202	O RING	0.95	HY2001-6	BEARING 9400	20.71	HY2230B-P	DPLX PLNGR PMP 2.1GPM	694.00
HY1720-205	O RING (VALVE CUP)	0.95	HY2005-2	BEARING 5200-9000	104.00	HY2231B-P	PLUNGER PUMP	694.00
HY1720-206	O RING	0.95	HY2007-22	BEARING 9000 PUMPS	6.14	HY2250-38	JAM NUT	0.98
HY1720-209	O RING	0.95	HY2007-39	BEARING - 9303	16.26	HY2250-51	JAM NUT	2.01
HY1720-22	O RING	0.95	HY2007-59	NEEDLE BEARING	19.96	HY2250-52	IMPELLER NUT	1.55
HY1720-231	O-RING	0.84	HY2008-1	BEARING 5300-7700	15.09	HY2250-87	HEX FLANGE NUT	0.84
HY1720-244	O-RING 2" PLY PMP BDY	9.25	HY2029-14	BEARING ASSY 2100	29.16	HY2253-1	IMP NUT 9000 PUMP	6.30
HY1720-28	O RING 5200	1.58	HY203C5200	HEAD	73.75	HY2253-2	NUT 9200-9401C	5.47
HY1720-3	O RING 1500 PUMP	2.94	HY204C5300	HEAD - 5300	35.00	HY2265-3	THRUST WASHER 9000	1.08
HY1720-33	O RING	1.00	HY2102-14	SEAL	11.82	HY2270-114	WASHER	6.30
HY1720-38	O RING 5300 PUMPS	1.09	HY2102-15	LIP SEAL	16.03	HY2270-115	WASHER	4.90
HY1720-39	O-RING	1.15	HY2102-17	SEAL	18.13	HY2270-12	WASHER GASKET	0.73
HY1720-64	O-RING 5321	1.00	HY2102-25	SEAL	15.23	HY2270-27	WASHER	1.75
HY1720-7	O-RING VALVE 5200	0.95	HY2102-38	OIL SEAL	3.31	HY2270-3	WASHER 9000	0.98
HY1720-79	O RING 5300 PUMPS	0.95	HY2104-5	*** OBS *** USE 3430-748	29.00	HY2270-39	WASHER	0.98
HY1720-8	O RING 6000 PUMPS	1.52	HY2107-2	SEAL VITON 6000	10.49	HY2270-42	SEAL WASHER	1.00
HY1720-83	O RING 9000-9200	3.36	HY2112-3	SEAL VITON 7700	16.62	HY2270-57	WASHER	2.17
HY1720-99	O RING 170 PUMPS	2.03	HY2120-10	SEAL BUNA 9000	31.25	HY2270-71	WASHER-9304	1.18
HY1721-83	O RING	16.01	HY2120-11	SEAL VITON F/9000	41.25	HY2300-20	BEARING CAP	1.48
HY1760-5	BACKUP RING	1.21	HY2120-36	MECHANICAL SEAL	105.00	HY2300-21	SHAFT BEARING CAP	1.48
HY1800-1	RETAINER RING	0.85	HY2120-44	2" POLY PUMP SEAL	52.50	HY2300-22	BEARING COVER-7-8 RLR	1.48
HY1800-14	RETAINER RING	21.42	HY2120-46	MECHANICAL SEAL FKM	78.50	HY2300-23	6500 SHFT BRNG CVR	1.53
HY1800-16	RETAINER	1.78	HY2120-8	SEAL BUNA F/9200	28.65	HY2330B-P	PUMP ASSEMBLY	916.00
HY1810-1	RETAINER RING	1.63	HY2120P-P18DC	PLUNGER PUMP	635.00	HY2345B-LP	PLNGR PMP LEFT SHAFT	916.00
HY1810-11	RETAINER 9000	1.24	HY2120P-P35DC	PLUNGER PUMP 1/2HP	816.00	HY2345B-P	PLNGR PMP 4.8 2500 PSI	916.00
HY1810-12	RETAINER RING - 9401C	1.90	HY2130-18	SEAL	25.78	HY2359B-P	PLUNGER PUMP	914.00
HY1810-13	RETAINER 5300	0.95	HY2130-7	BEARING SHIELD	1.58	HY2403-12	BSHNG 1 3/4" 9028	44.00
HY1810-14	RETAINER 9200 PMP	1.03	HY2150PD35DC	2100 DIA PMP	882.00	HY2404-193	VENT BREATHER	21.42
HY1810-26	RETAINER RING	1.04	HY2160-38	QUART PUMP OIL	15.76	HY2404-251	BAFFLE PLUG	13.65
HY1810-31	RETAINER RING	3.98	HY2160-47	1 GAL HYPRO OIL	49.75	HY2404-47	GAUGE DMPER 1/4" NPT	11.50
HY1810-32	RETAINER	8.98	HY2210-111	CAP SCREW	3.46	HY2405-6	GREASE FITTING	12.24
HY1810-36	RETAING RING	5.06	HY2210-141	HEX SCREW	2.37	HY2407-2	DIP TUBE	27.00
HY1820-13	RETAINER 5300-9000	1.18	HY2210-142	BOLT	2.52	HY2410-0048	BM 1" PIPE 15 IN 1X2SS	324.00
HY1820-23	RETAINER RING	1.03	HY2210-143	BOLT FLANGED MOUNTED	2.63	HY2410-0053	BM 1" PIPE 15 IN 2X1SS	324.00
HY1820-25	RETAINER RING - 5300	3.82	HY2210-144	SCREW PHIL SS	1.00	HY2410-0055	BM 1" PIPE 15 IN 2X3SS	407.00
HY1820-32	RETAINER RING	3.77	HY2210-145	SCREW PHIL SS	0.90	HY2410-0060	BM 1" PIPE 15 IN 3X2SS	407.00
HY1830-17	CUP SPREADER	3.98	HY2210-20	HEX SCREW	0.91	HY2410-0068	BM 1" PIPE 15 IN 4X4SS	534.00
HY1830-39	CUP SPREADER	24.69	HY2210-46	CAP SCREW 9000	3.87	HY2410-0069	BM 1" PIPE 15 IN 4X5SS	575.00
HY1830-40	RETAINER 9200	1.50	HY2220-12	SCREW-SOCKET HEAD	1.09	HY2410-0097	BM 1" PIPE 15 IN 4XHSS	380.00
HY1900-100	SPRING-UNLOADER	4.05	HY2220-35	SCREW-SOCKET HEAD	10.17	HY2410-0099	BM 1" PIPE 15 IN HBX4SS	380.00
HY1900-115	SPRING-UNLOADER	19.15	HY2221B-P	PLUNGER PUMP	694.00	HY2410B-P	TRIPLEX PUMP 4.4	1,490.00
HY1900-156	SPRING-TORSION	16.78	HY2230-17	SET SCREW SOC	1.63	HY2414B-P	TRI PLEX PUMP 8/4 GPM	1,490.00

# SPRAY TECH

MANUFACTURING, INCORPORATED

PART #	DESCRIPTION	LIST	PART #	DESCRIPTION	LIST	PART #	DESCRIPTION	LIST
HY24276S	SEAL KIT 24276S	89.50	HY3115-14	PULLEY-9400-B2	89.25	HY3350-72A	1 1/4" STR 50M PP EPDM	27.58
HY2430B-P	PLUNGER PUMP	1,745.00	HY3115-17	PULLEY FOR 9400	234.00	HY3350-73	1 1/4" STR 80M BUNA	41.50
HY2431B-P	PLUNGER PUMP	1,745.00	HY3115-2	PULLEY FOR 9200	56.50	HY3350-74	1 1/4" STR 20M V	42.25
HY2432B-P	PLUNGER PUMP	1,745.00	HY3115-31	DRIVER PULLEY-540	314.00	HY3350-75	1 1/4" STR 50M V	42.25
HY2433B-P	PLUNGER PUMP	1,745.00	HY3115-32	DRIVER PULLEY-1000	277.00	HY3350-79	1/4" I x 1/2" O STR 50M	13.93
HY24458S	SEAL	127.51	HY3115-34	PULLEY-5/8 BORE	119.00	HY3350-79F	1/4" I x 1/2" O STR 50M CB	15.76
HY2500-81	HYD MOTOR HM1C	960.00	HY3115-36	PULLEY IDLER	52.50	HY3350-82	1/4" I x 1/2" O STR 80M	13.93
HY2500-83	HYD MOTOR HM3C	1,124.00	HY32100550	50M BALL CHK STR	3.57	HY3350-82F	1/4" I x 1/2" O STR 80M CB	15.76
HY2500-84	HYD MOTOR HM4C	960.00	HY3220-29	VALVE STEM	8.42	HY3350-85	1/4ID&1/2OD STR 20M	13.93
HY2500-85C	HYD MOTOR HM5C	960.00	HY322004-030	ARAG CART RED 100M	12.61	HY3350113A	1 1/2" STR 50M PP EPDM	29.68
HY2510-1	SWITCH VAC-ON	66.50	HY3250-30	LOCKING BALL	2.43	HY3351-13	BOWL	15.09
HY2530-57	SPEED CONTROLLER	661.00	HY3250-4	BALL F/ QC	1.21	HY3351-14	1" NY CAP	19.94
HY2535-8	DIA BLK w/YLW DT	102.00	HY3260-2	SEAT - 5200	4.47	HY3351-15	CLEAR BOWL	19.69
HY254-2500C2	HYD MTR END PLT	135.00	HY3300-15	3/4" RELIEF VALVE 150PSI	37.00	HY3351-16	1 1/4" NY CAP	23.78
HY2545-0038	AIR CLEANER	17.17	HY3300-16	3/4" PRV 250PSI	37.00	HY3351-20	BOWL	4.65
HY2545-0042	RCL STRTR 6.5 PWRPRO	49.25	HY3300-84	PRESSURE REG	152.00	HY3351-22	CAP 3350-78	5.11
HY2545-0139	STARTER SOLENOID	23.41	HY3312-4	THERMAL RELIEF VLV	81.25	HY3351-24	CLEAR BOWL	37.25
HY2570-13	12V MTR F/4101M-EH	465.00	HY3320-15	CHECK VALVE 9300HM	16.50	HY3351-36	BOWL-3350-79A	2.76
HY2570-15	12V HVY DTY MTR	553.00	HY3320-17	VALVE CHK ASSY	57.00	HY3351-38	3/4" PP CAP	7.87
HY2630-18	SIGHT GLASS	3.10	HY3320-21	1/4" CHECK VALVE	32.25	HY3351-39	BOWL	5.16
HY2640-2	GLY GAUGE	40.50	HY3320-49	CHK VLV ASSY	40.75	HY3351-40	1" PP CAP	13.80
HY2727-2	COUP DISC	33.50	HY3350-113	1 1/2" STR 50M	41.25	HY3351-41	1 1/4" CAP	16.36
HY2729-1001	COUPLING CENTER DISC	20.49	HY3350-116	1 1/2" STR 50M VIT	46.50	HY3351-43	BOWL - PP	20.25
HY2739-1001	COUPLING CENTER DISC	36.00	HY3350-132P	3/4" STR 20M V/CLR BWL	34.25	HY3351-5	BOWL	6.91
HY2739-1002	COUPLING BODY	36.00	HY3350-151N	1" STR 50M	23.11	HY3351-6	3/4" CAP	11.76
HY2820-40	TORQUE ARM - ELEC	16.81	HY3350-34	3/4" STR 50M BUNA	20.75	HY3360-21	PORT ADAPTER	12.65
HY300-4101C	RTR & SHFT ASSY	90.75	HY3350-34A	3/4" STR 50M PP EPDM	18.13	HY3365-7/36	EXT W/CPLR (36)	28.07
HY300C6600	ROTOR & SHAFT	116.00	HY3350-34P	3/4" STR 50M BN/CLR BWL	30.75	HY3371-19	AGITATOR NYLON	7.10
HY3014101X	HLW SHFT & RTR 4101	164.40	HY3350-35A	3/4" STR 80M PP EPDM	19.44	HY3375-15-2	PULSATION DAMPENR	406.00
HY301AF1.6100	1/8" MSTNG NZL BLU	2.13	HY3350-42	1/2" STR 50M VIT	23.11	HY3376-1670	CLNLD CHEM EDTR RH	1,031.00
HY303F110UB	FLAT POLY TIP	0.99	HY3350-42P	1/2" STR 50M V/CLR BWL	33.75	HY3376-1671	CLNLD CHEM EDTR LH	1,031.00
HY304F80RE	FLAT POLY TIP	0.99	HY3350-43P	1/2" STR 80M CLR BWL	33.75	HY3381-10	SPRAY GUN	250.00
HY305F80LB	FLAT POLY TIP	0.93	HY3350-44	3/4" STR 50M V	23.38	HY3381-32W	SPRAY GUN	53.00
HY30DT1.5	FLOOD TIP 1.5	1.29	HY3350-46	1/2" STR 50M BUNA	20.23	HY3381-36	HAND GUN	38.00
HY30DT2.0	FLOOD TIP 2.0	1.29	HY3350-57A	1" STR 20M PP EPDM	24.69	HY3381-43L	TRIGGER GUN-18	146.00
HY30DT20	FLOOD TIP 20	1.29	HY3350-58	1" STR 50M BUNA	30.50	HY3390-37	UNLDR VLV-1/2"x1000	396.00
HY30DT5.0	FLOOD TIP 5.0	1.29	HY3350-58A	1" STR 50M PP EPDM	24.69	HY3390-42	UNLOADER VALVE	779.00
HY3100-5	BELT-1000 RPM	73.25	HY3350-58P	1" STR 50M BN/CLR BWL	52.00	HY3390-62D	UNLOADER VALVE 600#	124.00
HY3100-6	BELT-540 RPM	82.00	HY3350-59A	1" STR 80M PP EPDM	27.58	HY3390-63B	UNLDR VLV 1000x50PM	97.50
HY3103-10	BELT 9400 1000RPM	50.00	HY3350-59P	1" STR 80M BN/CLR BWL	58.00	HY3390-67	UNLOADER VALVE	124.00
HY3103-4	BELT SET 7M875	213.00	HY3350-61	1" STR 50M V	36.75	HY3390-76	UNLOADER VALVE	116.00
HY3103-5	BELT SET 7M690	213.00	HY3350-61P	1" STR 50M V/CLR BWL	58.00	HY3400-38	VALVE SET F/5200	26.53
HY3103-9	BELT 9400 600 RPM	70.50	HY3350-68P	1/2" STR 80M BN/CLR BWL	37.00	HY3400-73	VALVE SET-5300	21.28
HY3115-12	PULLEY FOR 9400	111.00	HY3350-72	1 1/4" STR 50M BUNA	36.75	HY3410-39	EXP NZL BDY RTRFT KT	172.00



PART #	DESCRIPTION	LIST	PART #	DESCRIPTION	LIST	PART #	DESCRIPTION	LIST
HY3420-23	BASE KIT	35.50	HY3430-445	9300P REPAIR KIT	75.75	HY3800-48	SCRN 20M	5.72
HY3420-24	BASE	41.75	HY3430-46	TEFLON CUP KIT-5300	60.50	HY3800-65	SCRN 20M F/1 1/2"	17.21
HY3420-25	4000 BASE KIT	45.50	HY3430-476	REPAIR KIT	137.00	HY3800-66	SCRN 50M F/1 1/2"	15.19
HY3430-10	5300 REPAIR KIT	32.75	HY3430-485	KIT SEAL	73.25	HY3800-67	SCRN 80M F/1 1/2"	24.54
HY3430-144	KIT FOR 5321	49.25	HY3430-486	SEAL KIT	68.00	HY3800-90	SCRN 32M F/1"	9.25
HY3430-152	KIT FOR B5041-HOT	56.50	HY3430-491	VALVE KIT- 2300	84.50	HY3800-91	SCRN 50M F/1"	9.25
HY3430-158	KIT 4 ROLLER 4000	34.75	HY3430-492	SEAL KIT- 2300	127.00	HY3800-95	ARAG 50M SCR 1 1/4, 1 1/2	13.13
HY3430-160	KIT 1700	66.00	HY3430-493	SEAL KIT	85.00	HY3900-10	SHAFT FOR 9006	196.00
HY3430-167	KIT 8 ROLLER 7560	58.00	HY3430-499	OIL SEAL KIT-2300	156.00	HY3900-13	SUN GEAR F 9008	186.00
HY3430-171	REPAIR KIT 3390-51	236.00	HY3430-500	REPAIR KIT	56.75	HY3900-15	DRIVER GEAR-9006	38.50
HY3430-176	LOCKING COLLAR KIT	29.50	HY3430-502	SEAL KIT-VITON	134.00	HY3900-16	DRIVER GEAR-9008	52.50
HY3430-187	KIT ADAPTER-HM4	22.98	HY3430-514	KIT PLUNGER 3/4	34.00	HY3900-22	GEROTOR HM1 MOTOR	181.00
HY3430-189	KIT REPAIR 5200	72.00	HY3430-523	SEAL KIT	150.00	HY3900-23	GEROTOR - HM2	165.00
HY3430-190	KIT COLLAR (9028)	64.25	HY3430-589	KIT -SEAL/ O-RING	217.00	HY3900-24	GEROTOR	230.00
HY3430-191	KIT-CUP 5324	98.00	HY3430-591	3/4 LIFEGUARD SEAL	227.00	HY3900-25	GEROTOR-HM4C	178.00
HY3430-197	KIT-VALVE 5321	50.50	HY3430-592	12V CL 5/8" SHFT	788.00	HY3900-39	GEAR ASSEMBLY	37.50
HY3430-207	KIT COLLAR 1200	50.00	HY3430-633	VT 2150 DPHGM KT	69.25	HY3900-40	GEAR	56.00
HY3430-209	SLEEVE KIT NI-RES 5300	97.00	HY3430-634	VT 2150 VLV KT	84.00	HY3900-48	GEROTOR-HM5	184.00
HY3430-236	CUP KIT 2200	53.50	HY3430-674CSP	3" CI PUMP ONLY	1,063.00	HY3900-9	RING GEAR F/9000	78.00
HY3430-242	PLNGR BOLT KIT 8600	66.25	HY3430-7	KIT LEATHER 5300	24.96	HY3J3412	3/4" F x 1/2" M PP ADPT	1.79
HY3430-291	KIT- CUP 5322	87.75	HY3430-745	7560XL RTR/SHFT ASSY	217.00	HY400-1540P	3 VANE IMP	21.01
HY3430-298	KIT-SEAL 2300	109.00	HY3430-748	KIT HYD SEAL	85.75	HY400069P	1" WB BLANKS-POLY	9.88
HY3430-30	REPAIR KIT-TEF 5300	48.50	HY3430-751	2BRB W/NUT SM 2" TR	28.11	HY400P9000	IMPELLER F/9000	54.25
HY3430-307	SEAL KIT- 7/8 2400	56.75	HY3430-8	LEATHER CUP KIT-5300	37.50	HY400P9600	IMPELLER	97.25
HY3430-316	VALVE KIT 2400	136.00	HY3430-801	KIT 3" TRASH SEAL	65.75	HY401-1540P	5-VN IMP 2" PLY PMP	23.64
HY3430-320	PLNGR KIT 11/16 2350	41.75	HY3430-9	KIT RUBBER 5300	20.49	HY4019200P2	IMPELLER MACHINED	99.25
HY3430-321	PLNGR KIT (3/4 2400)	68.50	HY350480	22" FILLWELL	46.00	HY401P9100	IMPELLER 9200-9401	47.25
HY3430-322	PLNGR KIT 7/8 2400	74.75	HY352080	22" LID W/VENT	76.50	HY4020111-101	4# CK VLV F/ DIA BDY	3.40
HY3430-332	REPAIR KIT 9303	55.75	HY3550-19	SLEEVE FOR 5330	35.50	HY402755	3/4" DIA CHK 8 PSI	11.30
HY3430-333	REPAIR KIT-9000P	71.50	HY3550-7	CYL SLEEVE	134.00	HY402P9000	POLY IMPELLER	74.50
HY3430-334	REPAIR KIT-9000	50.25	HY3800-25	SCRN 50M F/3/4"	7.01	HY402P9100	IMPELLER 9200-9401	52.00
HY3430-37	KIT LEATHER 5200	45.50	HY3800-26	SCRN 80M F/3/4"	11.25	HY402P9200	IMPELLER NY GLASS	124.00
HY3430-380	SUPER ROLLER KIT 6500	42.75	HY3800-27	SCRN 80 MONEL 3/4"	9.00	HY4039200P1	IMPELLER - 9305	299.00
HY3430-381	SUPER ROLLER KIT 7560	61.50	HY3800-29	SCRN 20M F/3/4"	8.30	HY403P-9200	IMPELLER 9205C	288.00
HY3430-383	SPR ROLLER KIT UNIV	83.25	HY3800-32	SCRN 50M F/1 1/4"	18.55	HY403P9000	IMPELLER - 9000	74.50
HY3430-384	SUPER ROLLER KIT 7700	57.75	HY3800-33	SCRN 80M F/1 1/4"	31.25	HY403P9100	IMPELLER - 9203R	87.50
HY3430-385	SPR RLR KIT L/SLS 7700	27.11	HY3800-40	SCRN 20M F/1"	10.38	HY405-9200	IMPELLER 9206	131.00
HY3430-386	REPAIR KIT - 1500	81.75	HY3800-41	SCRN 50M F/1"	10.38	HY4200-10V	DIA CHK 4# VIT	3.47
HY3430-387	SUPER KIT - 1500	79.25	HY3800-42	SCRN 80M F/1"	17.46	HY4200-20V	DIA CHK 8# VIT	3.47
HY3430-39	KIT FABRIC 5200	85.00	HY3800-43	SCRN F/1 1/4"	10.38	HY4200-214N	DRY BM ADPTR DBL HB 3/4"	1.42
HY3430-390	SUPER ROLLER KIT 4000	36.25	HY3800-44	SCRN 50M F/1 1/4"	10.38	HY4200-30V	DIA CHK 12# VIT	3.47
HY3430-407	SUPER RLR KIT 1700	101.00	HY3800-45	SCRN 80M 1 1/4"	19.75	HY4200-40V	DIA CHK 20# VIT	3.47
HY3430-435	REPAIR KIT-43-43L	25.04	HY3800-46	SCRN 50M	2.82	HY4200-4V	DIAPHRAGM - VITON	2.26
HY3430-437	REPAIR KIT-1700	72.75	HY3800-47	SCRN 80M	5.57	HY4223N-B323	PROFLO 3-WY 3/4" WB	15.50

# SPRAY TECH

MANUFACTURING, INCORPORATED

PART #	DESCRIPTION	LIST	PART #	DESCRIPTION	LIST	PART #	DESCRIPTION	LIST
HY4223N-B324	PROFLO 3-WY 1" WB	15.50	HY7433-3316	1" EXP NZL BDY END CAP	48.25	HY99160740	SEAL RING	43.25
HY4223N-B324V	PROFLO 3-WY 1" WB VIT	17.33	HY750-9000P	COVER-BACK	20.91	HY99180101	O-RING	1.96
HY4223N-B524	PROFLO 5-WY 1"WB 8#	15.50	HY750-9300P	BACK COVER 9300 POLY	20.17	HY9920-16215022	FTNG - HB & GSK	4.50
HY4223N-B524V	PROFLO 5-WY 1"WB VIT	17.33	HY750C9300	MOUNT FLANGE-MACH	130.00	HY9920-1626016	GASKET	1.21
HY4240N-F110	1/4"M x 1/4"F DIA BDY #4	7.15	HY7529000C	MOUNTING FLANGE	266.00	HY9920-16260416	HB W/GSK & NUT	13.04
HY454237N	2" FP 3-WAY VALVE	55.50	HY7549000C	GEAR HOUSING	183.00	HY9920-2760134	GASKET	1.52
HY500-1502	SHAFT	63.00	HY8000-3	FLANGE-NEMA-C	91.75	HY9920-2760548	RING NUT	6.96
HY500-6600	SHAFT	35.50	HY90FFB14	VALVE 1/4"	11.59	HY9920-3220437	ROD & CORE	30.25
HY500-9002	SHAFT 9000	225.00	HY9203P-S	POLY PUMP	667.00	HY99200390	RETAINING RING	14.68
HY500D9018	DRIVER HUB - 9018	259.00	HY9206-S	CENT PUMP-SS	1,451.00	HY99200540	O RING	2.16
HY5019018D1	DRIVER HUB-9028C	272.00	HY9263S-CR	CLUTCH DRVN SS PMP	1,754.00	HY9920351701	BRASS RED NIP	25.82
HY501D9016	DRIVER HUB - 9016	206.00	HY94012	9402 CUSHMAN SERIES	1,311.00	HY992068602	O-RING	1.52
HY501D9018	DRIVER HUB - 9018	259.00	HY9700B	AQUA PUMP	386.00	HY992240080	DIAPHRAGM BLK	42.75
HY502-9400	SHAFT 9400 PUMPS	151.00	HY9742P050SPT	2" PLY PMP 1 PH ELC	2,412.00	HY99230350	BEARING	185.00
HY503-5200	CONNECTING ROD	122.00	HY9910-110131	3/8" FLYNUT & GSK	12.88	HY992380071	MANIFOLD- DBA200	1,518.00
HY504-9000	SHAFT	371.00	HY9910-1150530	BYPASS RING	14.68	HY99320030	O RING	5.10
HY505-9200	SHAFT 3430-844	131.00	HY9910-1150540	PIN	5.72	HY99320240	SNAP RING	3.76
HY507-9200	SHAFT	273.00	HY9910-1150570	SPRING RETAINER	12.36	HY99320392	SUPPORT BRACKET	33.00
HY509-2500	HYD MOTOR SHAFT	177.00	HY9910-1150600	SPACER	3.50	HY99380241	WASHER	1.85
HY510-2500	SHAFT	280.00	HY9910-1150650	BOLT	2.27	HY99380440	AIR VALVE	43.50
HY5112501	SHAFT - HM5C	187.00	HY9910-1150660	SPACER	3.86	HY99390060	O-RING	1.96
HY520004	FOAM MARKER	1,851.00	HY9910-1500470	SHIELD	85.50	HY99390080	O-RING	1.85
HY520004310	FOAM MARKER TANK	199.00	HY9910-1880290	GAUGE F/ GRGI 403D	97.25	HY99390180	O RING	1.85
HY531-2500	SHAFT	254.00	HY9910-394760	SPRING	13.13	HY99390290	O RING	2.58
HY550-4001	SHAFT 1/2" H	57.00	HY9910-480550	RETAINER RING	1.85	HY99390440	LOCK NUT	1.85
HY550-7400	SHAFT 7560-7700	60.75	HY9910-D30	DIA PUMP 1HB-1/2HB	1,141.00	HY99394770	SPRING GUIDE	28.58
HY55005321	CRNKSHT AS/5321H	194.00	HY9910-D50	D50 PUMP	1,616.00	HY9950-16180	BSKT FILTER 16" 18 M	37.25
HY5501-5320	SHAFT SUB-ASSY	126.00	HY9910-D813	PUMP	2,073.00	HY9950-24	10 PK HARDI ADAPTER	10.55
HY5501322F	HUB 9028C - 1 3/4	328.00	HY9910-DBA200	DIAPHRAGM PUMP	4,712.00	HY99500260	PISTON RING	21.63
HY550132F4	DRIVER HUB	347.00	HY9910-DBS160	DIAPHRAGM PUMP	5,625.00	HY9951-3050N	1/2" 3 WY SU VLV	20.60
HY555-9400F1	6 SPLINE SHAFT	385.00	HY991040080	DIAPHRAGM	50.00	HY9951-3150N	1 1/2" 3 WY SU VLV	43.50
HY562D9000	DRIVER HUB	196.00	HY991040180	DIAPHRAGM RETAINER	20.60	HY9951-3200N	2" 3 WAY BALL VALVE	54.75
HY562D9002	9008-0 SHAFT	279.00	HY991040310	OIL SIGHT TUBE	103.00	HY99540040	SPACER	63.00
HY601-9400	NAMEPLATE 9401CB2	2.75	HY991040322	CAP-OIL TANK	35.25	HY99550030	OIL SIGHT GLASS	19.57
HY602-5200	SAFETY COVER - 5200	5.88	HY991040620	PISTON-VALVE	28.58	HY99550040	O RING	2.16
HY608-5300	5300-SAFETY COVER	2.37	HY991040670	SPACER	39.50	HY99550056	CAP	12.36
HY65BS205	O-RING ESI	0.45	HY991040710	O-RING	3.71	HY99550060	BEARING	76.00
HY7009000P	CASING-PUMP	47.50	HY991040780	PORT ADAPTER	56.00	HY99550085	DESMOPAN DIA.	44.75
HY700P9500	BACK COVER	20.39	HY9910D115	DIA PUMP 30 GPM	1,901.00	HY99550190	PLS DMP BUNA DIA	28.58
HY701P9500	PUMP CASING (CCW)	48.75	HY99111120	SNAP RING	8.03	HY99550242	NUT	5.15
HY703C2500	HOUSING-HMX	111.00	HY991150560	SPRING SEAT	9.32	HY99550330	STUD	3.19
HY7069400C	IDLER ARM	90.50	HY99130491	OUTLT BL VLV W/O BRB	95.00	HY99550350	O RING	1.96
HY707-2400B	CYL CAP	20.09	HY991409050	VALVE ASSY	35.25	HY99550370	ELBOW	16.22
HY7433-2515	ADPTR 1" UF TEE 1P	43.00	HY99160230	PISTON RING	15.97	HY99550450	NUT	4.84

# SPRAY TECH

MANUFACTURING, INCORPORATED

PART #	DESCRIPTION	LIST	PART #	DESCRIPTION	LIST	PART #	DESCRIPTION	LIST
HY99550460	HOSE BARB	6.18	HY99650920	O RING	3.19	HY99D50APA	9910 D SER DIA PUMP	1,693.00
HY99550491	LIP SEAL	34.25	HY99660130	CONTROL KNOB	28.07	HY99G540GI	CONTROL ASSY	331.00
HY99580040	HOSE BARB	24.21	HY99680031	OIL RESERVOIR	73.25	HY99K1640	KIT GEAR REDUCER	769.00
HY99580060	NUT	16.74	HY99680070	O-RING	4.64	HY99K1703	1" SOLID SHAFT-D30	195.00
HY99580110	PISTON SLEEVE D-100	108.00	HY99680085	DESMOPAN DIA.	58.25	HY99K1721	REPAIR KIT	187.00
HY99580140	CON ROD D-100	111.00	HY99680350	BOLT	3.04	HY99K1723	D19 R KIT	86.25
HY99580230	O-RING	4.74	HY99680442	TENSION ADJ SPT	64.75	HY99K1724	REPAIR KIT	111.00
HY99580470	CON ROD RING	6.85	HY99680452	CNTRL LEVER	73.25	HY99K1725	REPAIR KIT	148.00
HY99620030	O-RING	2.16	HY99680520	LEVEL GUIDE	11.59	HY99K1726	9910 REPAIR KIT-D85	224.00
HY99620080	BUNA-N DIAPHRAGM	38.75	HY99680530	LEVEL GUIDE PIN	2.52	HY99K1732	9910 REPAIR KIT	158.00
HY99620085	DESMOPAN DIA	42.00	HY99680550	TENSION LEVER	2.11	HY99K1734	DIAPHRAM KIT D1554	288.00
HY9962008T	DIAPHRAGM	57.25	HY99689060	REGULATOR VALVE	572.00	HY99K1737	9910 O-RING KIT D85	62.75
HY99620101	HEAD ASSY-RIGHT	148.00	HY99750053	CAP	31.75	HY99K1744	O RING KIT- D1554	199.00
HY99620102	HEAD ASSY-LEFT	153.00	HY99770130	O-RING	1.80	HY99K1757	9910 KIT 1757	106.00
HY99620110	PISTON SLEEVE	99.00	HY99800085	DIA D19 DESMO	29.36	HY99K1881	KIT DIAP. D503	110.00
HY99620130	SEAL RING	26.78	HY9980008T	DIAPHRAGM (TEFLON CTD)	36.75	HY99K1913	ORING KIT	58.50
HY99620140	CONNECTING ROD	57.25	HY99800200	SEAL	26.78	HY99K1914	VALVE KIT	116.00
HY99620150	SUCTION ATCH	116.00	HY99800360	CAP VLV HLDER	15.97	HY99K1916	O RING KIT	59.75
HY99620160	WASHER	5.87	HY99800520	NUT	9.27	HY99K1917	VALVE REPAIR KIT	177.00
HY99620170	CRANKSHAFT	318.00	HY99800670	BARB BYPS 5/8	6.44	HY99K1920	VALVE REPAIR KIT-D50	200.00
HY99620210	O-RING	3.04	HY99800671	BYP HB 1/2" STR	8.60	HY99K1927	DIAPHRAM BUNA	31.00
HY99620220	VALVE BDY	92.70	HY99800680	NUT	8.96	HY99K1930	DIA KIT DESM	58.25
HY99620291	RETAINER RING	8.76	HY99809060V	VALVE ASSY AR	15.19	HY99K1964	VALVE KIT	361.00
HY99620330	RETAINER RING	14.94	HY99850085	DIAPHRAGM	61.50	HY99K1984	KIT O-RING	44.50
HY99620561	O-RING D1064 GEAR RD	8.39	HY99850260	BOLT	15.45	HY99K1987	KIT- VALVE (D503)	290.00
HY99620870	BOLT	11.85	HY99850290	O-RING	15.71	HY99K2026	KIT 9910 O RING	26.78
HY99620950	GASKET	3.71	HY99850440	SPACER	9.53	HY99K2110	KIT BUNA N DIA	110.00
HY99620990	NEEDLE BEARING	97.75	HY99850910	PROTECTOR HSG	21.63	HY99K2201	540 SHAFT KIT	176.00
HY99621000	ADAPT. FLANGE	229.00	HY99850920	SHAFT PROTECTOR	22.92	HY99K2378	O-RING KIT	88.25
HY99621600	SHAFT 1"	185.00	HY99851230	PULSATION DIA	38.75	HY99K2388	KIT-VALVE	167.00
HY99622070	ACCUMULATOR MANIFOLD	246.00	HY99851660	CAP	83.25	HY99K2389	O-RING KIT	20.09
HY99650030	OIL SIGHT GLASS	43.75	HY99851680	PULSATION DIA	58.75	HY99K2408	KIT-VALVE	66.25
HY99650082	BUNA-N DIA	38.75	HY99851700	AIR VALVE	37.00	HY99K2409	KIT- ORING	15.97
HY99650085	DESMOPAN DIA.	44.50	HY99851720	O-RING	2.21	HY99K2423	DIAPHRAGM KIT	71.50
HY9965008T	DIAPHRAGM	55.50	HY99880830	O-RING	2.32	HY99K2444	KIT DPHGM	121.00
HY99650111	PISTON SLEEVE	134.00	HY99961780	BEARING	92.75	HY99K2457	ORING KIT	33.00
HY99650150	SUCTION ATT	134.00	HY99961790	SNAP RING	7.21	HY99K2480	DIAPHRAGM KIT	167.00
HY99650190	PISTON RING	19.83	HY99961800	SEAL GEAR RD D1064	33.00	HY9D1064GRGI	DIA PMP 1064GRGI	3,822.00
HY99650270	GSKT D1064 GEAR RD	3.66	HY99D252GR58	DIAPHRAGM PUMP 5/8	1,263.00	HYADI-03	STD FLT FN BLU	8.16
HY99650520	DIAPHRAGM	44.00	HY99D252GRGI	DIAPHRAGM PUMP	1,263.00	HYAVI11003	AIR IND 11003 BLU	15.47
HY99650542	O RING	2.16	HY99D30GRG	DIA PMP w/CNTRLS BUNA	2,046.00	HYAVI11005	AIR IND 11005 BRN	15.47
HY99650660	DAMPER BODY	46.75	HY99D30GRGI	DIA PMP w/CNTRLS	2,046.00	HYAXI8005	WIDE RANGE 8005 BRN	6.06
HY99650670	DAMPER	16.74	HY99D403GRGI	DIAPHRAGM PUMP	2,148.00	HYBB4	BRONZE GEAR PUMP	270.00
HY99650690	CLAMP	22.92	HY99D503GR	9910-D503GRGI PUMP	2,741.00	HYBBV1	ROTARY GEAR PUMP	845.42

# SPRAY TECH

MANUFACTURING, INCORPORATED

PART #	DESCRIPTION	LIST	PART #	DESCRIPTION	LIST	PART #	DESCRIPTION	LIST
HYBBV2	1/4 BRONZE PUMP	220.00	HYC940210L	PMP CENT BD 1 3/4"	1,365.00	HYGAT110025	GUARDIAN AIR TWIN 025	11.92
HYC1502	PUMP ROL CI 62GPM	699.00	HYC9402540	PMP CENT BD 1 3/8"	1,290.00	HYGAT11004	GUARDIAN AIR TWIN 04	11.92
HYC1700	PUMP ROL CI 45GPM	455.00	HYC9402540Q	PMP CNT BD 1 3/8" QC	1,311.00	HYGAT11005	GUARDIAN AIR TWIN 05	11.92
HYC1700R	PMP CI 45GPM REV	464.00	HYC9402540S	PMP CENT BD STUB S	1,311.00	HYGAT11006	GUARDIAN AIR TWIN 06	11.92
HYC4001	PUMP ROL CI 9GPM	220.00	HYC94031000	1000 RPM 21 SP	1,479.00	HYGAT11008	GUARDIAN AIR TWIN 08	11.92
HYC4001-H	PUMP 4 ROLLER	237.00	HYC94031000L	1000 RPM 20 SP	1,534.00	HYGRD02	GUARDIAN TIP 02	8.19
HYC4101	PUMP 4 ROLLER CI 7GPM	204.00	HYC9403540	540 RPM 6SP	1,450.00	HYHF140-08	HF 140 DG 08 WHT	14.31
HYC4101-H	PUMP 4 ROLLER-HS	223.00	HYC9403540Q	540 RPM QC	1,471.00	HYHF140-10	HF 140 DG 10 LTBLUE	14.31
HYC4101-R	4101 CAST-REVERSE	214.00	HYCAP0002	CAP YLW	0.96	HYHF140-15	HF 140 DG 15 LTGRN	14.31
HYC5206	PMP PIST 6 GPM	921.00	HYCOMB22	SHERTECH PUMP	937.50	HYHF140-20	HF 140 DG 20 BLK	14.31
HYC5206-F	PMP PIST W/FAB CUP	936.00	HYDS-501-015	RUBBER CHECK VALVE	30.75	HYHM1C9303	PMP HYD DR 10GPM OC	1,164.00
HYC5210	PMP PIST 10GPM	921.00	HYDS-501-019HN	DISCHARGE PORT	85.00	HYHM1C9304	PMP HYD DR 10GPM	1,500.00
HYC5210-H	PMP PIST CI 10GPM	921.00	HYDS-501-020	GASKET	8.56	HYHM1C9306	PMP HYD DR	1,363.00
HYC5320HR	PMP PIST 2GPM HS	528.00	HYDS-501-021	PLG & ORNG - 2x2 & 3x3	8.03	HYHM1S9303	PMP HYD DR 10GPM SS	2,150.00
HYC5320R	PMP PIST 2GPM SS	528.00	HYDS501-002	O-RING	15.50	HYHM2C9303	PMP HYD DRI 5 GPM	1,164.00
HYC5321	PMP PIST 2-2GPM SS	566.00	HYDS801011	INNER CASING	187.00	HYHM3C9303	PMP HYD DR 20GPM	1,238.00
HYC5321H	PMP PIST 2-2GPM HS	566.00	HYDS801013N	INLET PORT	75.25	HYHM3C9306	9306C-HM3C PMP	1,437.00
HYC5324	PMP PIST	566.00	HYDT1-5	DEFLECTIP 1.5	1.33	HYHM3P9303	PMP HYD DR 20GPM	1,290.00
HYC5324-H	PMP PIST	566.00	HYF11005	TIP 110 #5	1.02	HYHM4C9303	PMP HYD DR 7GPM COC	1,164.00
HYC5325HR	PUMP	528.00	HYF11006	TIP 110 #6	1.02	HYHM4C9303SP	PUMP	1,587.00
HYC5330CHX	PUMP TEFLON	563.00	HYFCESI025	FC ESI 6-STRM PURPLE	11.33	HYHM5C9303	HYD PUMP COC	1,164.00
HYC5330HR	PMP PIST 3GPM HS	528.00	HYFCESI03	FC ESI 6-STRM BLU	11.33	HYHM5C9304	PMP HYD DR 15 GPM COC	1,500.00
HYC5330HX	PMP PIST 3GPM HSLC	528.00	HYFCESI04	FC ESI 6-STRM RED	11.33	HYHM5C9306	PMP HYD CENTIF	1,363.00
HYC5330R	PMP PIST 3GPM SS	528.00	HYFCESI05	FC ESI 6-STRM BROWN	11.33	HYLA5	3/4" FGH x 3/4" MGH VLV	3.68
HYC5330X	PMP PIST	528.00	HYFCESI06	FC ESI 6-STRM GRAY	11.33	HYLD11003	LW DRFT 110 03 BLUE	4.92
HYC6500	RLR PMP 6500 C	222.00	HYFCESI08	FC ESI 6-STRM WHITE	11.33	HYLD8003	LW DRFT 80 03 BLUE	4.92
HYC6500R	PMP ROL CI REVERSE	231.00	HYFCESI10	FC ESI 6-STRM LTBLUE	11.33	HYMGCLCOIL	COIL FOR CLUTCH	125.00
HYC7560	8 RLR PUMP	290.00	HYFCESI15	FC ESI 6-STRM LTGREEN	11.33	HYN1502	PMP RLR NI-RS 62GPM	1,144.00
HYC7560R	8 RLR PUMP REV	298.00	HYFCESI20	FC ESI 6-STRM BLACK	11.44	HYN1700	PMP RLR NI-RS 45GPM	932.00
HYC7700	7 RLR PUMP	295.00	HYFCGA110035	FC GUARDIAN AIR 035	10.82	HYN4001	PMP RLR NI-RS 9 GPM	375.00
HYC7700R	7 RLR PUMP REV	303.00	HYFCGA11004	FC GUARDIAN AIR 04	10.82	HYN4001-EH	4 RLR W/12V MTR	806.00
HYC9006	PMP CENT GEAR 540	1,299.00	HYFCTR110-10	FASTCAP TR 110-10	8.09	HYN4001E2H	PUMP 4 ROL HP	896.00
HYC9008	PMP CENT GEAR 1000	1,380.00	HYFCTR110-15	FASTCAP TR 110-15	8.09	HYN4101	PMP RLR NI-RS 7 GPM	362.00
HYC9016	PMP 540 1" SFT	1,282.00	HYFCTR11002	FASTCAP TR 11002	8.01	HYN4101-EH	4 RLR W/12 V MTR	795.00
HYC9018	PMP 1000 1" SFT	1,358.00	HYFCULD02	FC ULTR LODRFT 02	11.92	HYN4101-H	1/2" HS PUMP	379.00
HYC9028	PMP CENT 1 3/4" PTO	1,601.00	HYFCULD025	FC ULTR LODRFT 025	11.92	HYN4101-HT	4 RLR TEFLON/HS	405.00
HYC9202	PMP CENT PED 5/8"	532.00	HYFCULD03	FC ULTR LODRFT 03	11.92	HYN4101-T	4 ROLLER TEFLON	393.00
HYC9203	PMP CENT PED 5/8"	538.00	HYFCULD04	FC ULTR LODRFT 04	11.92	HYN4101E2H	4101N-12VLT HD MTR	883.00
HYC9203R	CW PMP PED 5/8"	552.00	HYFCULD05	FC ULTR LODRFT 05	11.92	HYN4101EHT	4 RLR-TEF W/12V	820.00
HYC9205	CT PEDESTAL PUMP	1,352.00	HYFCULD06	FC ULTR LODRFT 06	11.92	HYN6500	PMP RLR NI-RS 20GPM	495.00
HYC9263-CR	MAG CL PMP (COUPE)	1,027.00	HYFCULD08	FC ULTR LODRFT 08	11.92	HYN6500R	PMP RLR NI-RS RVS	505.00
HYC9263C	MAG CL PMP (JD67)	1,016.00	HYFCXT024	FC BOOM XTDR 2.4	63.00	HYN7560	PMP RLR NI-RS 22 GPM	566.00
HYC93034BU	PMP FLG-CER SEAL	1,331.00	HYG11017	O-RING	2.31	HYN7700	PMP RLR NI-RS 22-4GPM	566.00
HYC9402100	PMP CENT BD 1 3/8"	1,309.00	HYGAT11002	GUARDIAN AIR TWIN 02	11.92	HYNBSW1WB	5-WY NZL BDY 1" WB	16.55



PART #	DESCRIPTION	LIST
HYNBC10	10 PSI BALL CHECK	5.95
HYPC12F-36075-PV	PROCLEAN NZL & VLV	137.00
HYPC12F235120	PROCLEAN TANKWASH NZL	89.75
HYPV12F12M	PRO CLN PUSH VLV ASSY	53.75
HYSPRYTBL	HYPRO SPRY TBL 115V	525.00
HYTL16-0006	16" LID HNGD VNTD	52.25
HYTR11002	TR FLAT 110 02-YLW	6.47
HYTR11003	TR FLAT 110 03-BLUE	6.47
HYTUR324S-4.0	TURBO 324 SS 4.0	187.00
HYUAS140003	1/4" NPT SS-CERAMIC	18.77
HYUAS140003S	1/4" NPT SS-CERAMIC	18.77
HYUAS140004	1/4" NPT SS-CERAMIC	18.77
HYUFCBG150	UNV FL CLMP & GSKT 200	8.79
HYUFCBG200	UNV FL CLMP & GSKT 220	10.66
HYUFCBG300	UNV FL CLMP & GSKT 300	13.29
HYUFG0100E	UNV FLANGE GSKT 1"	1.19
HYUFG0150E	UNV FLANGE GSKT 1 1/2"	1.30
HYUFG0200E	UNV FLANGE GSKT 2"	1.36
HYUFG0300E	UNV FLANGE GSKT 3"	1.75
HYULD12002	ULTR-LO DRFT 02 YLW	9.84
HYULD12002S	ULTR-LO DRFT 02S VLT	9.84
HYULD12003	ULTR-LO DRFT 03 BLU	9.84
HYULD12004	ULTR-LO DRFT 04 RED	9.84
HYULD12005	ULTR-LO DRFT 05 BRN	9.84
HYULD12006	ULTR-LO DRFT 06 GRY	9.84
HYULD12008	ULTR-LO DRFT 08 WHT	9.84
HYXL1502	PMP RLR XL 62 GPM	1,561.00
HYXL1700	PMP 1700 XL	1,246.00
HYXL4001	PUMP 4 ROL XL	549.00
HYXL4001E2H	PUMP 12XL -H	1,066.00
HYXL4001H	PUMP 1/2" HS	565.00
HYXL4101	PUMP 4 ROL XL	535.00
HYXL4101-H	PMP 1/2" HS XL	553.00
HYXL4101-R	4 RLR XL PMP-RV	544.00
HYXL4101E2H	PUMP 1/2" HS HP	1,053.00
HYXL4101EH	PUMP 12 V XL	965.00
HYXL4101EHT	12V PMP w/TF RLR	989.00
HYXL4101HT	PUMP 1/2 HS-TEF	579.00
HYXL6500	PMP 6 RLR XL	690.00
HYXL6500R	PMP 6 RLR XL REV	699.00
HYXL7560	8 RLR PUMP	822.00
HYXL7560R	8 RLR PUMP-REV	831.00
HYXL7700	7 RLR PUMP	842.00
HYXL7700R	PMP 7 RLR REV	851.00

PART #	DESCRIPTION	LIST
HYXT020	BOOM XTDR 2.0	95.50
HYXT024	BOOM XTDR 2.4	95.50
HYXT024KIT	XT 024 KIT	34.75
HYXT215	BOOM XTDR 21.5	124.00
LABOR	Labor Minute	1.25
LEID11002C	CERAMIC TIPS-YELLOW	10.99
LELU11003P	POLY TIP-BLUE	1.69
LJ1X406	406 SPIDER L-100	16.86
LJ1X407	407 SPIDER-L-90-95	8.04
LJ1X408	L070 SPIDER	3.66
LJ2X814	L075 SPIDER	6.56
LJ4X178	L070 x 1/2" FLEX	6.48
LJ4X180	L070 x 3/4" FLEX C	6.48
LJ4X185	L90 1/2 SD COUP	11.78
LJ4X186	L90 5/8 SD COUP	11.78
LJ4X187	L90 3/4 SD COUP	14.70
LJ4X188	L90 7/8 SD COUP	11.78
LJ4X191	L95 3/4 MD COUP	16.62
LJ4X192	L95 7/8 MD COUP	16.59
LJ4X193	L95 1 MD COUP	16.62
LJ4X194	L100 1-1/8" CPLR	27.97
LJ4X195	L100 1-1/4" HD CPLR	27.97
LJ4X196	L100 1-3/8" CPLR	27.97
LJ5X075	3/4" #5 CPLR	23.13
LJ5X118	1-1/8" # 5 CPLR	23.13
LJ5X402	L075 x 7/16" CPLR	7.64
LJ6E	SLEEVE	40.00
LJ6X072	5/8" L-95 MD CPLR	16.59
LJ6X073	1-1/8" L-95 CPLR	22.26
LJ6X074	3/4" L-100 HD CPLR	31.05
LJ6X075	7/8" L-100 HD CPLR	31.05
LJ6X076	1" L-100 HD CPLR	31.05
LJ6X1516	15/16" L95 SD CPLR	16.62
LJ75X1/2	L075 x 1/2" CPLR	6.37
LJ75X3/4	L075 x 3/4" CPLR	6.37
LJ75X7/16	L075 x 7/16" CPLR	6.37
LJ75X7/8	L075 x 7/8" CPLR	6.37
LULD06F110	LO DRIFT TIP 110	3.20
LULD02F110	LO DRIFT TIP 110	3.20
LULD04F110	LO DRIFT TIP 110	3.20
MCV100	BALL VALVE 1 NY	19.92
MCV150	BALL VLV 1-1/2" NY	54.27
MI14CLAMP	1/4 NOM 1 EAR CLAMP	0.77
MI14QX14QL	1/4 X 1/4 90 PUSH	5.20

PART #	DESCRIPTION	LIST
MI14QX18FPT	1/4 PUSHIN X 1/8 FPT	8.37
MI14QX18MPTL	1/4 PUSHIN X 1/8 MPT EL	4.32
MI2401	700 FERRULE	0.20
MI2403	725 FERRULE	0.20
MI2405	750 FERRULE	0.20
MI2407	850 FERRULE	0.39
MI38QX38Q	3/8 PUSHIN COUP	5.03
MI5000	FIRE THREAD X 1 1/2MPT	32.75
MI5010	FIRE THREAD X 2 M	40.00
MI5012	1/4 TUBE PUSH-IN CPLR	4.05
MI5015	1/8 M X 1/4 TUBE CONN	3.00
MI5020	2 F PIN LUG	15.62
MI9245	1/4X1 CARR BOLT	0.05
MI9250	1/4 X 1-1/4 CARR SC	0.16
MI9252	1/4 X 3/4 CAP SCREW	0.03
MI9254	1/4 X 3/4 CARR BOLT	0.14
MI9255	U BOLT	1.05
MI9256	1/4 X 1 1/2 CAP SCREW	0.05
MI9257	3/8 X 1-1/2 CAP SCREW	0.13
MI9258	3/8X3/4 CAP SCREW	0.13
MI9259	3/8X1 CAP SCREW	0.36
MI9262	S HOOK	0.42
MI9265	5/16 X 1 1/4	0.10
MI9271	3/8 HEX NUT	0.08
MI9272	3/8 X 1/2 CAP SCREW	0.13
MI9273	5/16 X 1/2 CAP SCREW	0.11
MI9274	5/16 X 3/4	0.09
MI9276	3/8 X 3 CAP SCREW	0.23
MI9277	1/2 X 3/4 CAP SCREW	0.20
MI9278	1/2X1 BOLT	0.22
MI9279	1/2 HEX NUT	0.10
MI9280	5/16 X 2	0.13
MI9282	1/4 HEX NUT	0.05
MI9284	1/4 LOCK WASHER	0.01
MI9285	5/16 HEX NUT	0.05
MI9286	5/16 LOCK WASHER	0.01
MI9287	1/4 FLAT WASHER	0.01
MI9288	5/16 FLAT WASHER	0.01
MI9289	3/8 FLAT WASHER	0.01
MI9290	2/0 DOUBLE LOOP CHAIN	1.05
MIAA348A	GAST VACCUUM VANES	12.40
MIBHS200	2" BTM HOLE STR	19.11
MIFLYSP	FLY SPRAY 6 OZ	9.95
MILEVGATE	10'X10' LEVEE GATE	3.56

# SPRAY TECH

MANUFACTURING, INCORPORATED

PART #	DESCRIPTION	LIST	PART #	DESCRIPTION	LIST	PART #	DESCRIPTION	LIST
MIMOLETRAP	MOLE ELIMINATOR	34.95	MT35-02115	REG VLV 344BPR 3/4"	232.73	MT45-20090	21725-8 END CABLE	47.69
MIPVC075	3/4 IN PVC PIPE	0.37	MT35-02128	VALVE EXR-IV	1,017.00	MT45-20091	21720-8 CABLE EXT	48.91
MIQC-6FP	3/8 F PLUG	5.20	MT35-02130	50 GPM VALVE EXR-IV	1,182.67	MT45-20096	37208-12 BAIT CABLE	39.73
MIQC-6MC	3/8 COUPLER	17.25	MT35-02155	VLV CNTR BAL	600.26	MT45-20097	37209-8 VALVE CABLE	29.54
MISK-D	GPS VEL SENSOR-DJ	725.00	MT35-04001	POWER HEAD	466.56	MT45-20100	21478-2 PWR CBL	34.08
MISK-R	GPS VEL SENSOR-RAVN	725.00	MT35-04087	FIELDPILOT SOLENOID	809.28	MT45-20106	15FT CABLE EXT	85.20
MIT18T	1/8 TEE 1/8 THREAD	5.60	MT35-50029	21773-244C	120.71	MT45-20220	21719-15 CABLE EXT	67.06
MP22255	GASKET NI-2085	2.10	MT401-0010	TASC/ARC PWR CBL 18'	132.79	MT45-20221	21719-8 CABLE EXT	67.06
MP22260	WEAR PLATE STL	19.86	MT401-0016	230BP POWER CABLE	54.56	MT45-20223	21724-8 END CABLE	53.46
MP22272	SEAL ASSY VITON	40.70	MT402-0028	TASC EXT CBL 25'	106.79	MT45-20239	CABLE JUNCTION BOX EXT	334.87
MP22293	IMPELLER CI	49.18	MT402-0040	18' CABLE	96.50	MT51-20008	744 GAUGE 100# LIQUID	50.03
MP23022	FLAPPER ASSY BUNA	25.04	MT402-0065	CBL,ADPTR,FLWMTR	70.39	MT57-00122	SENTRY TIP FLWMTR	66.96
MP28766	ACORN NUT SS	6.22	MT404-0061	TASC/ARC FLOW CABLE	164.66	MT57-10042	38431-RC-1-BB FLWMTR	444.98
MP29635	2" CI PUMP W/ HONDA 5.5HP	1,697.50	MT405-0036	TASC INTERFACE CABLE	251.97	MT57-10057	38411 RC FLOW MTR	162.35
MP34033	IMPELLER, SS	16.66	MT405-0143	CABLE VALVE DRIVER	335.98	MT57-10068	38410-1-BB FLWMTR	519.90
MP34038	SEAL VITON	26.94	MT405-0188	INTERFACE, 17" RC	302.00	MT6140FTM	SENTRY 6140 FTM	5,757.00
MP34555	O-RING VITON	7.68	MT430GLOPB	MATRIX 430 GL PTCH BL	1,564.49	MT64-05066	SUCTION MNT CUP	98.43
MP34616	3" CI PMP w/ HND 11HP E/S	3,770.00	MT45-05037	CABLE	65.84	MT64-05112	SUC CUP w/TWIST LK	57.96
MP35025	GSKT/FLPR VITON	9.28	MT45-05175	LIGHTBAR CBL EXT 10'	247.34	MT64-50023	36990 MOUNT BKT	20.47
MP35322	FRX PMP 12V	528.75	MT45-05324	PWR CBL - CNTRLN STD	151.86	MT64-50029	37211 GAUGE ELBOW	6.87
MP35585	HYDRASUB 2"	1,353.00	MT45-05337	GPS DATA CABLE	151.86	MT64-50031	GAUGE LENS	9.19
MP37137	SCREW SS 5/16-18 x .63	1.60	MT45-05338	GPS CABLE-CNTRLN	151.86	MT64-90019	KIT ORING EXR-II	35.18
MP37141	O RING VITON	2.96	MT45-05340	GDLN CBL SER 1 - ANT	151.86	MT65-05052	CENTERLINE BKT	30.45
MP37972	FRX75-SP 115V	591.50	MT45-05508	220 CBL ADPT RAVEN	81.09	MT65-05179	METAL MTG PLT	10.16
MP38095	P MAX PLY 2"	528.00	MT45-05575	SMARTCABLE INTERFACE-4710	808.00	MT65-05241	KIT, RAM MT w/SC	28.92
MT01-50007	CB, MODULE 744A-3	137.03	MT45-05589	CBL ADPTR PRS TRNS	122.61	MT65-50004	38528 844 CNS BKT	40.96
MT120-0009	SNSR APPL RT 10' CBL	417.75	MT45-05611	SERIAL Y CABLE	86.87	MT65-50005	21494 TUBE INSERT	1.21
MT120-0114	O-RING STD FLWMTR 1"	11.39	MT45-05617	CAMERA CABLE 20' EXT	137.50	MT67-00004	CPLR, DJ 360 SLT RT	103.36
MT121-0104	INSERT, SAPHIRE 2.5-25	387.10	MT45-05626	FIELDPILOT CABLE	217.03	MT67-20001	21486 NY MALE CPLR	1.21
MT121-0120	1" RC FLOWMETER	626.58	MT45-05628	ADPT CBL PWR 4PIN-2PINWP	27.33	MT67-20002	21545 TUBE NUT	1.21
MT16-05000	SENSOR, HALL EFFECT	126.06	MT45-05629	FIELDPILOT ADAPTER	144.20	MT68-02168	PLUG - HYD VLV	2.66
MT16-05015	PRS TRNS 10 BAR	231.62	MT45-05765	CABLE, SPD OUT/SNS IN	95.19	MT75-50033	CONSOLE ONLY 744	261.61
MT16-40003	38412 WHEEL SENSOR	132.79	MT45-05775	PWR CBL, MATRIX	95.49	MT75-50061	CNSL ONLY 744 E-5	372.50
MT16-40004	38412-1 PROX SENSOR	98.83	MT45-20008	CABLE END 15FT	103.36	MT78-05007	DATALINK INTRF 5.0	931.90
MT16-40005	38418-150 PRS TRNS	559.62	MT45-20009	38403-12 PWR CBL	112.40	MT78-05050	INTERFACE SMARTPAD II	350.01
MT16-40007	38525-1 WHEEL SENSOR	163.44	MT45-20017	WHL SPD EXT CBL	103.36	MT78-05066	MIRUSSO FLW INT	329.22
MT16-40012	38525 WH SENSOR	269.02	MT45-20023	39038-4 CABLE -JD	213.46	MT78-08012	MODULE, BOOSTER 25A	287.18
MT32-04020	FIELDPILOT FT SW	213.46	MT45-20026	39039-3 Y CABLE	213.46	MT78-50155	PATCH ANTENNA-II	213.27
MT32-04040	SWITCH, ENGAGE/DISENGAGE	47.69	MT45-20027	39039-4 Y CABLE	213.46	MT815-0009	CONSOLE BRACKET	34.08
MT32-50007	36984 BOOM SWITCH	10.29	MT45-20034	CBL, RAVN FLW	205.50	MT879-0104	PWRHD, #50 WIRING	444.98
MT32-50009	CP26211 BOOM SWITCH	25.02	MT45-20036	844 SENSOR END CABLE	157.80	MT90-02005	PWR CABLE 18"	34.08
MT32-50010	MST SW SUB ASSY	23.14	MT45-20042	39512 DJ CABLE	81.09	MT90-02108	854 CONSOLE KIT	1,778.59
MT35-02084	1 1/2" AUTORANGE VLV	493.79	MT45-20066	CABLE	422.18	MT90-02349	SUC CP/RAM MNT	105.62
MT35-02099	344AE 2RL VALVE	241.80	MT45-20079	21720-15 EXT CABLE	83.99	MT90-02386	GPS SPEED SENSOR	498.31



PART #	DESCRIPTION	LIST
MT90-02399	CENTERLINE 220	1,102.92
MT90-02476	KIT PRESSURE SENSOR	300.78
MT90-02572	BMPLT SDM 15 SECTION	1,515.92
MT90-02626	MATRIX 840G W/CAM, PTCH	2,873.95
MT90-02679	BMPLT SDM HAGGIE STS	1,515.92
MT90-02720	KIT, RXA-30, ANTENNA 20'	557.01
MT90-50017	48349 844E5 CONTROL	1,562.90
MT90-50149	744 100 L 3 CONTROL	301.92
MT90-50151	KIT, CONS 300PSI LIQ	454.05
MT90-50161	KIT, 100PSI LIQ 3 SW	351.91
MT90-50163	KIT, 100PSI LIQ 3 SW 3 VLV	564.16
MT90-50230	KIT, 801 FLWMTR	479.06
MT90-50237	KIT, 744 300L BV	592.50
MT90-50238	KIT, 744 3-BM 100 PSI	592.50
MT90-50254	KIT, 744E-3S 100PSI w/430DN	637.12
MT90-50255	KIT, 744E-5S 100PSI w/430DN	719.35
MT90-50269	KIT, 854, MTG BKT	1,542.25
MT91-00018	MATRIX FIELDPILOT	2,997.55
MT91-02283	KIT, PWM PLTFRM CASE MX	3,115.52
MT91-02286	KIT, PWM PLTFM CASE 71xx	3,115.52
MT91-02290	KIT, PWM PLTFRM	3,115.52
MT91-02293	KIT, PWM PLTFRM JD	3,115.52
MT91-02295	KIT, PWM PLTFRM	3,115.52
MT91-02337	KIT PWM ROGATOR 1254	3,546.79
MT91-02345	KIT PWM JD 8x60,8x70	4,459.77
MT91-07014	KIT, CB VLV SEAL BUNA	35.71
MV025	GATE VLV 1/4" BR	9.31
MV025B	BALL VLV 1/4" BR	8.12
MV025BLH	BALL VLV 1/4" LH	8.34
MV025BSS	BALL VLV 1/4" SS	20.30
MV038	GATE VLV 3/8" BR	9.31
MV038B	BALL VLV 3/8" BR	6.27
MV038BSS	BALL VLV 3/8" SS	20.30
MV050	GATE VLV 1/2" BR	9.31
MV050B	BALL VLV 1/2" BR	8.20
MV050BSS	BALL VLV 1/2" SS	29.08
MV050CA	CAM VLV 1/2" BR	14.99
MV050CV	CHK VLV 1/2" PP	8.09
MV050CVB	CHK VLV 1/2" BR	12.28
MV050PP	BALL VLV 1/2" PP	11.04
MV075	GATE VLV 3/4" BR	12.98
MV075B	BALL VLV 3/4" BR	9.87
MV075BFP	BALL VLV 3/4" BR FP	11.65
MV075BSS	BALL VLV 3/4" SS	68.66

PART #	DESCRIPTION	LIST
MV075CA	CAM VLV 3/4"	19.99
MV075CV	CHK VLV 3/4" PP	9.03
MV075CVB	CHK VLV 3/4" BR	15.79
MV100	GATE VLV 1" BR	17.82
MV100B	BALL VLV 1" BR	18.99
MV100BFP	BALL VLV 1" BR FP	19.30
MV100BFPSS	BALL VLV 1" SS FP	67.41
MV100CA	CAM VLV 1"	20.99
MV100CV	CHK VLV 1" PP	12.70
MV100CVB	CHK VLV 1" BR	21.87
MV125	GATE VLV 1 1/4" BR	31.02
MV125B	BALL VLV 1 1/4" BR	32.90
MV125CE	GATE VLV 1 1/4" CE	24.90
MV125CV	CHK VLV 1 1/4" PVC	16.31
MV125CVB	CHK VLV 1 1/4" BR	33.26
MV125PP	BALL VLV 1 1/4" PP	28.50
MV150	GATE VLV 1 1/2" BR	39.65
MV150B	BALL VLV 1 1/2" BR	39.77
MV150BSS	BALL VLV 1 1/2" SS	70.04
MV150CA	CAM VLV 1 1/2" BR	89.40
MV150CV	CHK VLV 1 1/2" PVC	17.18
MV200	GATE VLV 2" BR	53.75
MV200B	BALL VLV 2" BR	59.06
MV200BFPSS	BALL VLV 2" SS FP	215.20
MV200BSCV	SWNG CV 2" BR	66.29
MV200BSS	BALL VLV 2" SS	95.91
MV200CV	CHK VLV 2" PVC	19.86
MV200CVB	CHK VLV 2" BR	38.18
MV200CVCC	CHK VLV 2" PV S x S	19.00
MV250	GATE VLV 2 1/2" BR	100.16
MV300	GATE VLV 3" BR	146.20
MV300B	BALL VLV 3" BR	207.17
MV300BSCV	SWNG CV 3" BR	201.69
MV400	GATE VLV 4" BR	231.58
MV400B	BALL VLV 4" BR	312.86
MV90FFB14	BALL VLV 1/4" CP	8.95
MV90FFB38	BALL VLV 3/8" CP	8.27
MV90FMB12	BALL VLV 1/2" FxM CP	15.00
MV90FMB14	BALL VLV 1/4" FxM CP	10.75
MVB075	FIRE NZL 3/4" BR	17.28
MVB075GH	FIRE NZL 3/4" GH	17.28
MVB100	FIRE NZL 1" BR	22.47
MVB125	FIRE NZL 1 1/4" BR	33.27
MVB150	FIRE NZL 1 1/2" BR	46.83

PART #	DESCRIPTION	LIST
MVB200	FIRE NZL 2" BR	66.63
MVBSN12	3/4 FIGHT NOZZLE	4.05
MVDC18	PUMP DRAIN COCK	3.03
MVH075	HANDLE 3/4 GV	1.50
MVHYD038	FLW VLV 3/8" 5000#	58.96
MVPFN150	ADJ FIRE NZL 1 1/2"	41.55
MVFPNGASKET	ADJ FIRE NZL GSKT	1.65
NUTRA-2	2# NUTRASOL	10.48
NW40235	1550 G VST WHT 87x67	1,089.72
NW40337	550 G VST BLK 67x44	646.67
NW40341	1550 G VST BLK 87x67	1,139.72
NW41339	550 G VST 67x44	575.79
NW41340	60 G MIX 31x32	171.66
NW41345	325 G LG YLV 38x43x68	545.21
NW41346	15 G MIX 19x23	100.40
NW41347	65 G VST 23x43	160.87
NW41854	250 G VST WHT 30x89	422.13
NW41856	200 G VST WHT 30x72	344.40
NW41861	100 G VST WHT 28x43	225.65
NW42066	60 G MIX WHT 24x42	165.18
NW43113	50 G PCO 19x23x38	173.83
NW43114	100 G PCO 30x30x38	273.14
NW43116	200 G PCO 37x37x48	409.18
NW43217	250 G VST BLK 30x89	472.13
NW45218	1550 G VST YLV 87x67	1,089.72
NW47006	25 G RND 23x19	93.93
NW47013	50 G PCO 19x20x38	173.83
NW47020	100 G PCO 30x26x38	273.14
NW47022	30 G PCO 19x20x25	158.71
NW47024	15 G PCO 12x15x25	124.15
NW47029	15 G L&G 15x11x30	100.40
NW47033	25 G L&G 20x14x30	115.52
NW47036	9 G SFTY WTR 10x14x20	214.84
NW47068	200 G RND 32x65	361.67
NW47082	150 G RND 32x50	301.21
NW47086	200 G ELP 40x26x66	452.36
NW47086B	200 G ELP BLK 40x26x66	502.36
NW47190	80 G MIX WHT 32x37	238.59
NW47191	1650 G LEG 62x65x139	2,869.92
NW47211	750 G LG 48x51x107 ***	1,174.80
NW47274	1000 G LEG 48x51x139	1,598.04
NW47325	200 G RD STBY 38x47	361.67
NW47330	500 G RND 48x74	647.66
NW47333	110 G VST 29x42 ***	232.63

# SPRAY TECH

MANUFACTURING, INCORPORATED

PART #	DESCRIPTION	LIST	PART #	DESCRIPTION	LIST	PART #	DESCRIPTION	LIST
NW47337	55 G RND 23x37	150.07	NW62399	2" ANTI-VORT ADPTR	3.52	OP075CP	3/4" F x 3/4" HB	12.61
NW47340	250 G CAW 24x53x60	508.50	NW62438	35 G MIX 23x29	114.74	OP075DL	3/4" F x 3/4" FPT AL	13.49
NW47344	200 G CAW 24x47x54	422.13	NW62531	18" LANYARD	1.30	OP075DLSA	3/4" F x 3/4" FPT AL S/ARM	21.29
NW47346	500 G ELP 57x36x82	797.85	NW62532	16" HINGED LID W/RNG	100.92	OP075DP	3/4" F x 3/4" FPT PP	12.61
NW47349	300 G ELP 48x30x70	581.91	NW62798	3/4" HD DT POLY FTG	6.90	OP075EL	3/4" M x 3/4" HB AL	7.29
NW47350	150 G PCO 36x26x48 ***	329.29	NW62834	1/2" DT POLY FTG	6.64	OP075EP	3/4" M x 3/4" HB PP	5.96
NW47352	200 G PCO 36x35x48 ***	409.18	NW63018	SKID- 500 ELLIP	799.00	OP075FL	3/4" M x 3/4" MPT AL	6.62
NW47358	500 G LEG 48x51x75	755.93	NW63065	1-1/4" A.V. FTG	8.32	OP075FP	3/4" M x 3/4" MPT PP	5.96
NW47368	110 G RND 30x44	247.23	NW63263	SIPHON TUBE 3" x 12"	31.04	OP075G	3/4" GASKET EPDM	0.92
NW47373	80 G MIX 32x37	238.59	NW63480	8" LID w/ BLUE VENT	13.29	OP075HL	3/4" CAP AL	13.21
NW47375	300 G RND 38x69	465.31	NW63484	5" LID	10.11	OP075HLSA	3/4" CAP ALUM S/ARM	20.85
NW47382	1000 G LG BLK 48x51x139	1,648.04	NW63485	16" LID W/BLUE VNT	31.74	OP075HP	3/4" CAP PP	12.61
NW47389	400 G ELP 57x36x70	646.70	NW63539	BLUE SNAP IN VENT	3.23	OP075IL	3/4" PLUG AL	7.05
NW47394	85 G RND 23x55	238.59	NW67046	OLD STYLE VI ORING-SMALL	6.13	OP075IP	3/4" PLUG PP	5.74
NW47713	1100 G VST 84x57 ***	937.01	NW67050	OLD STYLE VI ORING-LARGE	10.80	OP075K	3/4" CAM ARM	3.88
NW47821	1650 LEG BLK 62x65x139	2,919.92	NW67059	OLD STYLE ORING-SMALL	3.06	OP075P	3/4" CAM PIN	1.11
NW47837	1100 G VRT BLK 84x57 ***	987.01	NW67061	OLD STYLE ORING-LARGE	3.06	OP100AL	1" M x 1" FPT AL	6.37
NW47846	1000 G EL BLK 78x49x90	1,445.15	NW67101	HOOP 500,750,1000 LEG	85.00	OP100AP	1" M x 1" FPT PP	5.51
NW47915	300 G ELP BLK 48x30x70	631.91	NW67150	2" A-V OLD STYLE	16.53	OP100ASS	1" SS PART A	15.64
NW60002	LID 8" W/AIR VNT	17.18	NW67151	1-1/2" A-V OLD STYLE	19.74	OP100BL	1" F x 1" MPT AL	14.40
NW60003	8" RING ONLY f/60002	7.83	NW67152	1-1/4" A-V OLD STYLE	19.74	OP100BLSA	1" F x 1" MPT AL S/ARM	22.71
NW60011	16" LID W/4 CNTR VNT	31.04	NW67154	1-1/2" DT OLD STYLE	19.74	OP100BP	1" F x 1" MPT PP	14.49
NW60012	16" FILLWELL ONLY	9.82	NW67155	1-1/4" DT TANK FTNG	21.71	OP100CL	1" F x 1" HB AL	13.49
NW60019	4" CAP f/ 16" LID	12.99	NW67170	3" ST POLY TNK FTG	48.94	OP100CLSA	1" C AL W/SS ARMS	18.73
NW60124	1 1/2" DT TNK FTG	9.96	NW67246	HOOP FOR 1650 LEG	120.00	OP100CP	1" F x 1" HB	14.49
NW60361	1" & 1-1/4" VIT GSKT	28.73	NW67399	10" LID THRD w/VENT	22.62	OP100DL	1" F x 1" FPT AL	13.80
NW60365	16" VENTLESS LID	29.81	NW67400	10" FILLWELL	14.91	OP100DLSA	1" F x 1" FPT AL SS/ARM	21.77
NW60366	GASKET FOR 5" LID	6.51	NW67410	CAP-SFTY WTR TANK	12.99	OP100DP	1" F x 1" FPT PP	14.49
NW60402	1/2" & 3/4" EPDM GSKT	1.16	OP050CP	1/2" F x 1/2" HB-PP	12.61	OP100DSS	1" SS PART D	27.19
NW60403	1-1/4" DT POLY FTG	6.51	OP050DP	1/2" F x 1/2" FPT PP	12.61	OP100EL	1" M x 1" HB AL	7.34
NW60404	1" & 1-1/4" EPDM GSKT	1.61	OP050EP	1/2" M x 1/2" HB PP	5.96	OP100EP	1" M x 1" HB PP	6.61
NW60405	2" DT POLY FTG	9.49	OP050FP	1/2" M x 1/2" MPT-PP	5.96	OP100FL	1" M x 1" MPT AL	8.22
NW60406	2" EPDM GSKT	2.26	OP07525AP	3/4" F x 1/4" FPT PP	5.76	OP100FP	1" M x 1" MPT PP	6.61
NW60427	1" DT POLY FTG	6.64	OP07538AP	3/4" F x 3/8" FPT PP	5.76	OP100G	1" GASKET EPDM	0.99
NW61405	SCRN 40M	6.34	OP07550AP	3/4" F x 1/2" FPT PP	5.76	OP100G-V	1" GASKET-VI	11.23
NW61465	3/4" T STR 40M	15.40	OP07550BP	3/4" F x 1/2" MPT PP	12.19	OP100HL	1" CAP AL	13.49
NW61479	1" Y STR 40M	26.72	OP075A025SA	3/4" M x 1/4" FPT SA GRV	5.43	OP100HLSA	1" H AL W/SS ARMS	15.58
NW61509	40/20M SCRN 1 1/2" - 2"	25.22	OP075AL	3/4" M x 3/4" FPT AL	5.31	OP100HP	1" CAP PP	14.00
NW61723	BLUE HANDLE 2"	4.36	OP075AP	3/4" M x 3/4" FPT PP	5.76	OP100IL	1" PLUG AL	7.63
NW61740	1 1/4" Y STR 40M	26.72	OP075BL	3/4" F x 3/4" MPT AL	13.65	OP100IP	1" PLUG PP	6.39
NW61746	SCRN 40M	10.64	OP075BLSA	3/4" B x 3/4" HB S/ARM	11.82	OP100P	1&1-1/4" CAP PIN	0.80
NW61879	POLY WELDING ROD	61.71	OP075BP	3/4" F x 3/4" MPT PP	12.19	OP125AL	1-1/4" M x 1-1/4" FPT AL	8.42
NW62299	3" DT POLY FTG	47.65	OP075CL	3/4" F x 3/4" HB AL	13.06	OP125AP	1-1/4" M x 1-1/4" FPT PP	5.22
NW62398	1-1/4" ANTI-VORT ADPTR	3.44	OP075CLSA	3/4" F x 3/4" HB S/ARM	20.60	OP125BL	1-1/4" F x 1-1/4" MPT AL	18.36



MANUFACTURING, INCORPORATED

PART #	DESCRIPTION	LIST	PART #	DESCRIPTION	LIST	PART #	DESCRIPTION	LIST
OP125BLSA	1-1/4" F x 1-1/4" M AL SS ARM	28.98	OP150G-V	1-1/2" GASKET VIT	11.68	OP200K	2"-1-1/2" CAM ARM	4.69
OP125BP	1-1/4" F x 1-1/4" MPT	10.56	OP150GB	GASKET BUNA	1.29	OP200P	2"-1-1/2" PIN	1.19
OP125CL	1-1/4" F x 1-1/4" HB AL	18.67	OP150GXT	1-1/2" EX THICK GSKT	1.89	OP200R	2"-1-1/2" CAM RING	1.14
OP125CLSA	1-1/4" F x 1-1/4" HB S/ARM	28.98	OP150HL	1-1/2" CAP AL	16.73	OP201BP	2" F x 2" MPT EXT	20.68
OP125CP	1-1/4" F x 1-1/4" HB PP	10.56	OP150HLSA	1-1/2" CAP-ALUM	26.40	OP250AL	2-1/2" M x 2-1/2" FPT AL	15.26
OP125DL	1-1/4" F x 1-1/4" FPT AL	17.26	OP150HP	1-1/2" CAP PP	16.98	OP250BL	2-1/2" F x 2-1/2" MPT	30.62
OP125DLSA	1-1/4" F x 1-1/4" FPT AL	27.25	OP150IL	1-1/2" PLUG AL	9.54	OP250CL	2-1/2" F x 2-1/2" HB AL	29.70
OP125DP	1-1/4" F x 1-1/4" FPT PP	10.56	OP150IP	1-1/2" PLUG PP	6.41	OP250DL	2-1/2" F x 2-1/2" FPT AL	29.43
OP125EL	1-1/4" M x 1-1/4" HB AL	9.70	OP20045FP	2" PART F 45 DEG	19.88	OP250EL	2-1/2" M x 2-1/2" HB AL	19.03
OP125EP	1-1/4" M x 1-1/4" HB	4.70	OP20090AP	2" M x 2" FPT 90	11.27	OP250G	2-1/2" GASKET EPDM	1.53
OP125FL	1-1/4" M x 1-1/4" MPT AL	9.99	OP20090BP	2" F x 2" MPT 90	25.23	OP250G-V	2 1/2" CAM LOCK GASKET VITON	10.63
OP125FP	1-1/4" M x 1-1/4" MPT PP	4.78	OP20090CP	2" F x 2" HB 90	25.23	OP250HL	2-1/2" CAP AL	21.58
OP125G	1-1/4" GASKET EPDM	0.81	OP20090DP	2" F x 2" FPT 90	25.23	OP250HP	2-1/2" CAP	53.65
OP125HL	1-1/4" CAP AL	16.14	OP20090FP	2" M x 2" MPT 90	12.69	OP250IL	2-1/2" PLUG AL	13.94
OP125HLSA	1-1/4" x 1-1/4" CAP AL SA	25.48	OP200AL	2" M x 2" FPT AL	9.70	OP250IP	2-1/2" PLUG	24.38
OP125HP	1-1/4" CAP PP	12.13	OP200AP	2" M x 2" FPT PP	7.38	OP300200CL	3" F x 2" HB AL	53.13
OP125IL	1-1/4" PLUG AL	8.96	OP200BL	2" F x 2" MPT AL	20.91	OP300AL	3" M x 3" FPT AL	17.39
OP125IP	1-1/4" PLUG PP	3.95	OP200BLSA	2" F x 2" MPT-S/A	32.98	OP300AP	3" M x 3" FPT PP	17.84
OP150125CP	1-1/2" F x 1-1/4" HB	16.73	OP200BP	2" F x 2" MPT PP	20.68	OP300ASS	3" M x 3" FPT SS	59.96
OP150125DP	1-1/2" F x 1-1/4" FPT	16.73	OP200BS	2" F x 2" MPT SS	155.90	OP300BL	3" F x 3" MPT AL	32.88
OP150125EP	1-1/2" M x 1-1/4" HB	6.53	OP200CL	2" F x 2" HB AL	20.19	OP300BLSA	3" F x 3" MPT-S/ARM	51.91
OP150125FP	1-1/2" M x 1-1/4" MPT PP	6.53	OP200CLSA	2" F x 2" HB-S/A	31.88	OP300BP	3" F x 3" MPT PP	34.75
OP15090AP	1-1/2" M x 1-1/2" FPT PP	9.87	OP200CP	2" F x 2" HB PP	20.68	OP300BSS	3" F x 3" MPT SS	246.18
OP15090CP	1-1/2" F x 1-1/2" HB PP	20.34	OP200CSS	2" F x 2" HB SS	64.99	OP300CL	3" F x 3" HB AL	31.62
OP15090DP	1-1/2" F x 1-1/2" FPT PP	20.34	OP200DL	2" F x 2" FPT AL	20.02	OP300CLSA	3" F x 3" HB-S/ARM	49.90
OP15090FP	1-1/2" M x 1-1/2" MPT 90	11.84	OP200DLSA	2" F x 2" FPT-S/A	31.63	OP300CP	3" F x 3" HB PP	34.75
OP150AL	1-1/2" M x 1-1/2" FPT AL	8.93	OP200DP	2" F x 2" FPT PP	20.68	OP300CSS	3" F x 3" HB SS	119.36
OP150AP	1-1/2" M x 1-1/2" FPT PP	6.26	OP200DSS	2" F x 2" FPT-SS	64.99	OP300DL	3" F x 3" FPT AL	32.19
OP150BL	1-1/2" F x 1-1/2" MPT AL	17.38	OP200EL	2" M x 2" HB AL	12.04	OP300DLSA	3" F x 3" FPT-S/ARM	50.81
OP150BLSA	1-1/2" F x 1-1/2" MPT-S/ARM	27.44	OP200EP	2" M x 2" HB PP	8.71	OP300DP	3" F x 3" FPT PP	34.75
OP150BP	1-1/2" F x 1-1/2" MPT PP	16.98	OP200ESS	2" M x 2" HB SS	51.73	OP300DSS	3" F x 3" FPT-SS	111.41
OP150BSS	1-1/2" F x 1-1/2" MPT SS	47.75	OP200FF	2" M x 2" M	22.74	OP300EL	3" M x 3" HB AL	21.14
OP150CL	1-1/2" F x 1-1/2" HB AL	17.76	OP200FL	2" M x 2" MPT AL	12.18	OP300EP	3" M x 3" HB PP	22.85
OP150CLSA	1-1/2" F x 1-1/2" HB-S/ARM	28.04	OP200FP	2" M x 2" MPT PP	8.71	OP300ESS	3" M x 3" HB SS	100.80
OP150CP	1-1/2" F x 1-1/2" HB PP	16.98	OP200FSS	2" M x 2" MPT SS	53.05	OP300F200F	3" x 2" SPOOL ADPTR	45.51
OP150DL	1-1/2" F x 1-1/2" FPT AL	18.55	OP200G	2" GASKET EPDM	1.12	OP300FF	3" M SPOOL ADPTR	45.51
OP150DLSA	1-1/2" F x 1-1/2" FPT-S/ARM	29.30	OP200G-V	2" GASKET VITON	19.87	OP300FL	3" M x 3" MPT AL	23.64
OP150DP	1-1/2" F x 1-1/2" FPT PP	16.98	OP200GB	GASKET BUNA	1.35	OP300FP	3" M x 3" MPT PP	22.85
OP150EL	1-1/2" M x 1-1/2" HB AL	9.66	OP200GXT	2" GASKET EX THICK	2.37	OP300FSS	3" M x 3" MPT SS	112.93
OP150EP	1-1/2" M x 1-1/2" HB PP	6.63	OP200HL	2" CAP AL	17.01	OP300G	3" GSKT EPDM	1.53
OP150FL	1-1/2" M x 1-1/2" MPT AL	10.77	OP200HLSA	2" CAP AL S/A	26.87	OP300G-V	3" GSKT VITON	24.85
OP150FP	1-1/2" M x 1-1/2" MPT PP	6.63	OP200HP	2" CAP PP	20.68	OP300GB	3" GSKT BUNA	1.84
OP150FSS	1-1/2" M x 1-1/2" MPT SS	41.78	OP200IL	2" PLUG AL	9.99	OP300GXT	3" GSKT EX THICK	3.15
OP150G	1-1/2" GASKET EPDM	1.06	OP200IP	2" PLUG PP	8.65	OP300HL	3" CAP AL	23.44

# SPRAY TECH

MANUFACTURING, INCORPORATED

PART #	DESCRIPTION	LIST	PART #	DESCRIPTION	LIST	PART #	DESCRIPTION	LIST
OP300HLSA	3" CAP AL SA	36.98	OP600CL	6" M x 6" HB AL	111.98	RA016-479	SCS 460 MANUAL	8.35
OP300HP	3" CAP PP	34.07	OP600DL	6" F x 6" FPT AL	118.13	RA016-524	SCS 330 MANUAL	8.35
OP300IL	3" PLUG AL	14.53	OP600EL	6" M x 6" HB AL	84.00	RA063-001	VALVE BUTTERFLY 3/4	84.00
OP300IP	3" PLUG PP	18.12	OP600FL	6" M x 6" MPT AL	96.44	RA063-010	RELAY BOX	336.00
OP300K	3" CAM ARM	6.64	OP600G	6" CAM GSKT	3.75	RA063-0172-368	SWTCHBX w/L RMT	130.00
OP300MP	3" & 4" PIN	2.57	OP600HL	6" CAP AL	48.30	RA063-037	REM SWITCH ASSY	202.00
OP300R	LARGE RING	1.43	OP600IL	6" PLUG AL	46.95	RA063-039	MNFLD VLV 5 SECTION	925.00
OP303CP	3" PART C -3ARM	43.93	OP6CX4AAL	6" F x 4" M AL	110.44	RA063-040	RFM 15 FLOWMETER	292.00
OP30FC20MC	3" F x 2" M	39.65	OPGH075A	3/4" M x 3/4" FGHT	5.96	RA063-066	RFM 100-3-100 GPM	645.00
OP3CX2AL	3" C x 2" A AL	88.41	OPGH075B	3/4" F x 3/4" MGHT	12.36	RA063-067	BEARING/COVER RFM 100	43.00
OP3D2ASS	3" F x 2" M SS	153.59	OPGH075D	3/4" F x 3/4" FGHT	12.61	RA063-072	SIMULATOR	388.00
OP400AL	4" M x 4" FPT AL	39.48	OPGH075F	3/4" F x 3/4" MGHT	5.96	RA063-115	330 CONSOLE	780.00
OP400AP	4" M x 4" FPT PP	27.20	OPGL075B	GTR LK 3/4" B	11.74	RA063-120	3/4 CONTROL VALVE	161.00
OP400ASS	4" M x 4" FPT SS	122.69	OPGL075D	GTR LK 3/4" D	13.66	RA063-123	FLWMX 220 FLOWMETER	650.00
OP400BL	4" F x 4" MPT AL	50.46	OPGL100B	GTR LK 1" B	14.30	RA063-125	1" PLY CNTRL VLV	262.00
OP400BLSA	4" F x 4" MPT AL/SS	52.76	OPGL100C	GTR LK 1" C	19.58	RA063-138	AQUATECH 5.3 GPM	266.00
OP400BP	4" F x 4" MPT PP	68.87	OPGL100D	GTR LK 1" D	22.25	RA063-143	RADAR ASSY	525.00
OP400CL	4" F x 4" HB AL	44.95	OPGL100H	GTR LK 1" CAP	19.27	RA063-172	1" 3W BALL VLV FAST	725.00
OP400CLSA	4" F x 4" HB AL/SS	70.94	OPGL150B	GTR LK 1-1/2" B	17.81	RA063-177	2 SS BUTTERFLY VALVE	665.00
OP400CP	4" F x 4" HB PP	68.87	OPGL150C	GTR LK 1-1/2" C	17.81	RA063-183	440 CONSOLE-SERIAL	1,200.00
OP400DL	4" F x 4" FPT AL	46.82	OPGL150D	GTR LK 1-1/2" D	17.81	RA063-185	2 ON/OFF VALVE-0172	520.00
OP400DLSA	4" F x 4" FPT AL/SS	52.22	OPGL150H	GTR LK 1-1/2" CAP	17.81	RA063-249	460 CONSOLE	1,175.00
OP400DP	4" F x 4" FPT PP	68.87	OPGL200B	GTR LK 2" B	19.30	RA063-272	CAN NODE BM SNS/SPD	265.00
OP400EL	4" M x 4" HB AL	42.56	OPGL200C	GTR LK 2" C	19.30	RA063-279	PUMP	249.00
OP400EP	4" M x 4" HB PP	27.20	OPGL200D	GTR LK 2" D	27.27	RA063-304	SINGLE PDCT NDE	730.00
OP400FL	4" M x 4" MPT AL	43.16	OPGL200H	GTR LK 2" CAP	19.30	RA063-357	FLOW MAX 110	404.00
OP400FP	4" M x 4" MPT PP	27.20	OPGL300H	GTR LK 3" CAP	45.07	RA063-438	21" SENSOR ASSY	159.00
OP400G	4" GASKET BU	3.59	OPTA283QD	2" M QC x BTRS F	18.09	RA063-439	MTR ASY VALVE HYD	337.00
OP400HL	4" CAP AL	32.15	PI14TEE	1/4" PI TEE	5.94	RA063-443	SPD SNS GEARTOOTH	70.00
OP400HLL	CAP 4" AL W/LCK	63.34	PI14X14	1/4" PI x 1/4" PI STR	4.57	RA063-484	4 MAG W/D SEN	273.00
OP400HLSA	4" CAP W/SS ARMS	30.32	PI14X14FPT	1/4" PI x 1/4" F STR	6.44	RA063-539	2 MAG W/D SEN	238.00
OP400HP	4" CAP PP	50.23	PI14X14MPT	1/4" PI x 1/4" M STR	3.11	RA063-564	TURBINE HUB BEARING	184.00
OP400IL	4" PLUG AL	22.31	PI14X18FPT	1/4" PI x 1/8" F STR	7.54	RA063-584	4 POLE SPD SEN	123.00
OP400IP	4" PLUG PP	21.38	PI14X18MPT	1/4" PI x 1/8" M STR	2.99	RA063-591	END BEARING ASSY	85.00
OP400R	LARGE RING	2.01	PI14X38MPT	1/4" PI x 3/8" M STR	4.66	RA063-619	MTR THROTTLING VLV	232.00
OP4300AL	4" M x 3" FPT AL	44.30	PI38X14	3/8" PI x 1/4" PI STR	7.28	RA063-646	END BEARING P.C.	173.00
OP4500AL	4" M x 5" FPT AL	110.88	PI38X14MPT	3/8" PI x 1/4" M STR	5.06	RA063-669	EXT SNSR RFM-60P	93.00
OP500BL	5" F x 5" MPT AL	58.70	PI38X38MPT	3/8" PI x 3/8" M STR	5.15	RA063-674	HUB/BEARING RFM60S	56.00
OP500CL	5" F x 5" HB AL	78.09	PIEL14X14	1/4" PI x 1/4" PI ELB	5.32	RA063-751	RFM 200 FLO METER	980.00
OP500EL	5" M x 5" HB AL	68.69	PIEL14X14MPT	1/4" PI x 1/4" M ELB	4.83	RA063-769	BEARING RFM60S	19.00
OP500FL	5" M x 5" MPT AL	42.98	PIEL14X18MPT	1/4" PI x 1/8" M ELB	4.32	RA063-793	RFM 60P FLOW METER	399.00
OP500G	5" CAMLOCK GSKT	3.49	PIEL14X38MPT	1/4" PI x 3/8" M ELB	5.65	RA063-894	1 1/2 POLY VAL N/S	292.00
OP5CX4AAL	5" F x 4" M AL	162.46	PIEL38X38MPT	3/8" PI x 3/8" M ELB	9.39	RA063-922	ANTENNA MBA-4	805.00
OP600AL	6" M x 6" FPT AL	79.13	RA016-409	SCS 440 MANUAL	8.35	RA063-924	ANTENNA MBA-2	590.00

# SPRAY TECH

MANUFACTURING, INCORPORATED

PART #	DESCRIPTION	LIST	PART #	DESCRIPTION	LIST	PART #	DESCRIPTION	LIST
RA063-926	SINGLE VALVE	184.00	RA115-019	24' FLOW METER CABLE	75.00	RA115-708	450/460 FLOW CABLE 24'	279.00
RA063-928	MNFOLD VLV 3 SECTION	555.00	RA115-032	12' SPD SNS EXT	60.00	RA115-709	RADAR CABLE-FORD GEN	161.00
RA063-977	NH3 1 CONTROL VALVE	480.00	RA115-040	CABLE NULL MODEM 3'	66.00	RA115-745	CABLE AUX VIPER PRO	130.00
RA063-978	NH3 1 ON/OFF VALVE	475.00	RA115-055	CBL 12' 3BM PACKARD	193.00	RA115-773	CBL ADP COM3 - LGTBAR	148.00
RA063-979	NH3 1" FAST VLV	550.00	RA115-085	CABLE 10' 7BM 450	199.00	RA115-792	ADAPT BOOM SENSE CRZR	30.00
RA063-981	SENSOR GEAR TOOTH	81.00	RA115-086	6' PRD CBL W/VALVE CON	207.00	RA115-793	CRUZER 1 SPEED OUT	135.00
RA0630171443	ENCODER GRANULAR 25FT	293.00	RA115-116	CBL ADP AG-CHEM FLWMTR	65.00	RA115-807	CBL ADPT CONT VLV NH3	68.00
RA0630171623	FLW MTR 100 PLY INC PULSE	665.00	RA115-117	CABLE 15' ANT MBA-2	75.00	RA115-822	CABLE 10' RS 232 9 PIN	106.00
RA0630171843	HYD VLV PLS WID MD 15G	620.00	RA115-118	PWR CBL 12'-NVCTA-310/210	46.00	RA115-823	VPRO/EPRO-4000/5000 CBL	272.00
RA0630172369	TERMINATOR CAN PASSIVE	106.00	RA115-125	CBL 40' PRD IN-FURROW	151.00	RA115-836	12' NH3 440 CABLE	428.00
RA0630172382	FLWMTR RFM 100 HP DTM	700.00	RA115-137	28' CBL LGTBR - SWBOX	183.00	RA115-856	12' EXT 440 VLVV	186.00
RA0630172480	ANTENNA MBA-3	590.00	RA115-154	12' TRIMBLE CONT CBL	530.00	RA115-857	440 24 CABLE-0159	205.00
RA0630172822	CLSD CLBRTN ASSY	159.00	RA115-165	CABLE SIDEKICK-JD	255.00	RA115-858	CBL 6' FLW 3BM 440	151.00
RA0630172868	BM VLV 3PN DTSCH 3PRT H FLW	215.00	RA115-235	CABLE PRES TRAN 72	65.00	RA115-859	12' FLOW CABLE 440	156.00
RA0630172870	VLV SNG MFLD 3PN DTSCH ASY	166.00	RA115-255	CABLE POWER VIPER	138.00	RA1150159496	CBL 12' PRD 7 BM 440/450	156.00
RA0630173062	TURBINE STUD RFM60	9.60	RA115-300	20' CONSOLE CBL	487.00	RA1150159787	CBL PRD GRAN 660 21 FT	305.00
RA0630173080	SW ASSY FT ISO PRD CNTRL	152.00	RA115-304	6' SPEED CABLE	181.00	RA1150171125	CBL 40' PRDCT IN-FRW	155.00
RA0630173170	ANTENNA MBA-3 TAN	590.00	RA115-313	12' PDCT CBL	358.00	RA1150171129	CBL 12' FLO CNT 6BM 8M VLV	229.00
RA0630181001	SNSR ASSY LNR WH ANG 300MM	530.00	RA115-325	15' CBL INVICTA 115	183.00	RA1150171151	CBL PRS XDCR SNSR 144"	71.00
RA0630181017	SNSR ASSY NN-CNTCT LWA 250MM	630.00	RA115-326	6' CAN TEE	161.00	RA1150171316	CBL 24' PRD 5 BM 4400/4600	315.00
RA063171-443	ENCODER GRANULAR 25FT	287.00	RA115-361	INVICTA CABLE	221.00	RA1150171326	CBL 6' CANBUS W/TEE	161.00
RA077-004	SOFTWARE VIPER SVR	750.00	RA115-362	12' CAN BUS W/TEE	169.00	RA1150171787	CBL 20' TNC(M)-BNC(M) RGS8	90.00
RA077-030	SFTWR CD KEY VIPER	400.00	RA115-364	ADAPTER TEE CAN BUS	66.00	RA1150171838	CBL 12' NH3 6 SECT	685.00
RA1030001032	CLAMP, RAM RAIL	15.00	RA115-380	CABLE CAN SP LIQUID	335.00	RA1150171865	CBL FT SW ISO PRD CTRL	145.00
RA1030159011	MNT, VAC RAM w/BALL	32.00	RA115-387	24' EXT CAN BUS	80.00	RA1150171974	CBL ISO HITCH - RVN ECU	403.00
RA106-001	SCS11 BACK COVER	4.30	RA115-404	6' FLOW CABLE - 440	120.00	RA1154001066	CBL CRZR II TO 3D NODE	181.00
RA106-407	* COVER VALVE 1-1/2	6.30	RA115-405	FLOW CONT CABLE 12'	145.00	RA1154001085	CBL CHASS STR ONLY	232.00
RA106-437	440 CONSOLE BKT	9.30	RA115-405A	CABLE BM SEN/SP	194.00	RA1160159684	WDMT BM MNT ULTSN SNSR	78.00
RA106-438	440 CONSOLE KNOBS	1.90	RA115-409	12' FLW CNTRL EXT	132.00	RA117-006	GAUGE ASSY SCS	37.00
RA106-522	MANIFOLD VLV BDY	19.00	RA115-415	POLARITY REVERSAL	7.55	RA117-007	GAUGE ASSY SCS11	29.00
RA1060159523	OUTLET FLANGED	2.85	RA115-418	CBL 10' CNLS SCS 440	187.00	RA117-017	ROTOR MVB	159.00
RA107-025	EXTENSION - 12'	72.00	RA115-419	CABLE 6' BS VIPER	75.00	RA117-071	PHOENIX 200 KIT	1,685.00
RA107-314	BRKT AUX SW BOX	6.35	RA115-432	RADAR ADAPT CABLE	126.00	RA117-157	FAST VLV w/ADP CBL	685.00
RA107-327	U-CLIP F/SHUT OFF VLV	1.25	RA115-437	16 FT EXT CABLE - 330	261.00	RA117-441	CABLE KIT	47.00
RA1070171246	FLOWMETER BDY	177.00	RA115-456	CONT VLV ADPT CBL	71.00	RA117-569	TRANSDUCER O RING KIT	173.00
RA1070171609	U-BOLT	9.75	RA115-472	Y SPEED CABLE	143.00	RA117-739	KIT 1 1/2 VALVE	76.00
RA1070171616	U-BOLT	22.00	RA115-491	2' VPR/CN ND CBL	935.00	RA117-822	KIT RDR w/ PWR CBL	595.00
RA1070172062	BRKT WAS ROD JD 8X00 MFWD	24.00	RA115-517	CABLE CASE IH	135.00	RA117-830	CS II FLW MN 4R ADD-ON	79.00
RA115-005	16' CABLE ASSY--SCS11	86.00	RA115-519	RADAR CABLE JD-50-60	120.00	RA117-831	CROP STRT II KIT 8 R	2,810.00
RA115-013	6' CABLE - 203	63.00	RA115-526	RADAR CABLE D-J	107.00	RA117-882	RGL 600 UNIVERSAL	1,195.00
RA115-015	203 EXT CABLE	79.00	RA115-539	12 FT RADAR CABLE	104.00	RA117-923	CAN PWR TEE/TERMINATOR	194.00
RA115-016	6' FLOW METER CABLE	58.00	RA115-552	ADAPTER CABLE JD250	142.00	RA117-924	4440 CONSOLE	1,690.00
RA115-017	FLWMTR EXT CABLE 12'	62.00	RA115-700	RDR CBL JD7000/8000/9000	112.00	RA117-930	KIT MAGNETIC MTG RGL 600	31.00
RA115-018	SPEED CABLE 24'	70.00	RA115-707	450/460 3' CONS CBL	202.00	RA1170137025	AUTOBOOM KIT	1,025.00

# SPRAY TECH

MANUFACTURING, INCORPORATED

PART #	DESCRIPTION	LIST	PART #	DESCRIPTION	LIST	PART #	DESCRIPTION	LIST
RA1170137030	KIT CAN DUAL SNSR FST	1,430.00	RA417-002	100# GAUGE - 202	20.00	RIE-0953	10 G TANK ONLY	186.00
RA1170137051	KIT ISO CAN ATBM UG JD4720	4,525.00	RA417-004	GAUGE ONLY - SCS11	20.00	RIE-0955	13 G TANK ONLY	239.30
RA1170159575	KIT SENSOR FAN	110.00	RA417-018	LIQUID GAUGE -203	39.00	RIE-0959	40 G TANK ONLY	320.00
RA1170171097	PHNX 300 KIT W/L1L2ANT	4,160.00	RA4201011008	PWR CBL CRUIZER	21.00	RIE-0967	TANK CAP ASSY	58.00
RA1170171112	VIPER PRO KIT/VRA	5,210.00	RA4220000090	KIT TRNSDCR 0-250PSI SS	278.00	RIE-1065	TOP HOUSING-FOAM HEAD	43.00
RA1170171141	KIT MBA-3 ANTENNA	580.00	RA435-009	CLAMP	5.10	RIE-1066	GASKET-FOAMHEAD	8.90
RA1170171167	KIT SW PRO SCS 440	2,465.00	RA435-031	RETAINER CLAMP	33.00	RIE-1067	3/8 SCREEN STR.	11.60
RA1170171247	KIT CRZR II PATCH ANT	1,695.00	RASCS11	SPRAY CONTROL 1-WAY	256.00	RIE-1068	BASE HOUSING-FOAMHEAD	36.00
RA1170171249	KIT, CRZR II w HELIX	1,895.00	RASCS203	SPR CNTRL 3-WAY	186.00	RIE-1075	DIAPHRAGM	10.10
RA1170232020	KIT INS UG 4720 JD	3,715.00	RASCS203L	SPRY CNTR-3 SCTN-LIQ	202.00	RIE-1112	COMPLETE FOAMHEAD 3 LINE	123.00
RA1175030005	KIT SMRTRX 3D CNTRLR 5XX	4,430.00	RE33011E182B	1 GPM PROFLO VIT QA	96.25	RIE-1224	1/4 MPT x 3/8 VENTURI	12.25
RA1175034006	KIT SMRTRX JD 8X00/8X10	3,540.00	RE33031E182B	2 GPM PROFLO VIT QA	109.00	RIE-1706	SOLENOID	76.00
RA1176100003	KIT ISO PRD LIQ/GRN 22 PN	1,750.00	RE5513-1X77	PUMP HEAD	88.89	RIE-2254	ANTI-SIPHON SOLENOID	93.00
RA214-001	1/4 GAUGE TUBING	0.60	RE55161E182B	4G 12V 60PSI PROFLO	191.00	RIE0250	FLOW CONTROL VALVE	42.50
RA219-026	O-RING VITON	0.95	RE55171E182B	5.3 G 12V 60 PSI PROFLO	239.00	RIFOAM-G	GOODMARK FOAM	36.50
RA219-028	O RING 445	1.65	RE55181E194A	7G 12V 60PSI PROFLO QA	413.50	RIK-0012	1X1 1/2 BOOM END EL	7.60
RA219-030	O RING-VITON	2.20	RE55371E158C	5G 115V REMCO PROFLO	240.00	RIK-0024	DIA COMPRESSOR-12V	382.00
RA219-041	O RING	2.95	RE55381E194A	7G 12V 60PSI PROFLO	413.50	RIK-0069	PRIMARY FILTER	4.60
RA219-042	O-RING V FLOWMETER	2.90	REFQ3E-12	5/8" QA x 1/2" ELB	2.23	RIK-0080	FOAM SWITCHING VLV	200.00
RA219-052	O-RING-VITON	18.00	REFQ3E-38	5/8" QA x 3/8" ELB	1.98	RIK-0123	1/2" AIRLINE HOSE	2.20
RA219-054	LIP SEAL 445	19.00	REFQ3S-12	5/8" QA x 1/2" STR	2.23	RIK-0310	3/8 AIRLINE POLY	0.90
RA219-061	SEAL	26.00	REFQ3S-38	5/8" QA x 3/8" STR	1.98	RIK-0675	3/8 DISC CHECK VALVE	9.40
RA219-068	SEAL	58.00	REFQ5E-12	3/4" QA x 1/2" ELB	2.73	RIK0013	1 1/2 DROP HOSE	15.20
RA219-140	O RING-VITON	1.60	REFQ5E-38	3/4" QA x 3/8" ELB	2.48	RIK0049	1/4M X 3/8 ELBOW	4.30
RA219-238	O RING-VITON	3.45	REFQ5ME-12	3/4" QA x 1/2" MPT ELB	3.48	RIK0050	FILTER-DIA COMP-1/8	12.60
RA2190002214	O-RING VITON #214	1.15	REFQ5MS-12	3/4" QA x 1/2" MPT STR	3.23	RIK0054	AIR RELIEF VALVE	33.00
RA311-176	CAP SCREW #8-32X 1/2	0.60	REFQ5S-12	3/4" QA x 1/2" STR	2.73	RIK0097	10 GAL STAND	83.00
RA3110052104	BOLT 5/16-18 x 7/8 HEX	0.25	REFQ5S-38	3/4" QA x 3/8" STR	2.48	RIK0109	1/8M X 1/4 T EL	2.30
RA3110054106	BOLT 3/8-16 x 1 1/4 HEX	1.45	REPSW3300	PSW, 3300 SERIES	21.25	RIK0216	FOAMHEAD CAP	7.30
RA3121001164	NUT FLNG LOCK 3/8	1.30	REPSW5500	PSW, 5500 SERIES	28.75	RIK0217	FOAMHEAD CAP GASKET	3.30
RA3131000019	WASHER 5/16	0.20	RIB0940	TANK CAP GASKET	7.50	RIK0219	1/2 BULKHEAD	6.80
RA321-221	ROTOR RFM 100	120.00	RIB4-18	2 COLLECTOR INSERT	8.10	RIK0226	1/4 BULKHEAD	3.50
RA321-222	HUB RFM 100	132.00	RIBTD2100	BOOM TRACKER 10 GAL	1,695.00	RIK0354	3/8 UNION TEE	5.50
RA333-004	FEMALE FITTING	4.25	RIBTD2250	25 GAL BOOM T-DIA	1,846.00	RIK0967	CAP ASSEMBLY-THR	58.00
RA333-006	FEMALE FITTING-1/4	3.45	RIBTDBXPU	BOOM TRACKER POWER UNIT	1,335.00	RIK1310	DIA CMPR CONV KIT	385.50
RA333-007	FITTING MALE	2.80	RIBTN-2250	25 GAL BOOM T-OBA	1,805.00	RIKC9005	FOAM HEAD	60.00
RA333-008	FITTING UNION	4.75	RIBTR13	BOOM TRACKER 13 GAL	2,225.00	RIKC9006	3 CAP ASSEMBLY	59.75
RA333-078	CHK VLV 5GPM 3/8SS	83.00	RICH050	MINITRAC COL HD PAIR	45.00	RIM-0599	3WAY SOLENOID VALVE	98.00
RA334-037	VLV BALL 3-WY 1/2" PLY	45.00	RICH150NO	1 1/2" CLL HD ORNG	40.00	RIM8-17	723 SWITCH VALVE	78.00
RA335-278	RETAINING RING	5.70	RICH200NO	2" CLL HD ORNG	40.00	RIMPS-03	VANES - SET OF 4	28.00
RA412-037	MASTER SWITCH	4.45	RIE-0286	1/4 AIR TUBE	0.60	RIMPS-09	BRUSH SET	22.10
RA412-041	PRESSURE ADJ SWITCH	9.20	RIE-0395	1/4 MPT x 1/4 QC	5.30	RIMPS-10	CARBON ROTOR	140.00
RA412-046	MASTER SWITCH-440	9.55	RIE-0632	1/4 MPT x 1/4 QC	3.80	RIMPS-11	COOLING FAN-ROTARY COMP.	6.20
RA415-009	RELAY SPST 40AMP	8.70	RIE-0699	1/4 MPT x 3/8 QC	4.90	RIMPS-21	COMP FILTER	17.50



PART #	DESCRIPTION	LIST	PART #	DESCRIPTION	LIST	PART #	DESCRIPTION	LIST
RIMPS-22	BRUSH HOLDER	14.40	RY100	1/8 X 1 FLAT .425	0.80	SC102-102	KEY	2.86
RIMTD-2020	MINI-TRAC FM MRKR	649.00	RY103	1/8X2 1/2 FLAT-1.06#	2.52	SC102-169	PLY BELT 7M900	44.00
RINZ0-10	1/4 TEE QC	7.10	RY105	3/16 X 1 FLAT .637	1.10	SC103-146	BEARING	22.00
RIP1014	1/4T X 1/4F CONN	5.50	RY110	1/4X1 FLAT .85	1.52	SC103-150	BEARING	93.00
RIRELAYSW	RELAY SWITCH FOR MARKER	24.50	RY112	1/4X1 1/4X1.06 FL	2.08	SC104-107	FLINGER	2.86
RIS1-20	BOOM END EL 1 1/2	7.60	RY120	1/4X1 1/2 FLAT 1.28	2.30	SC104-142	SHIM FOR FKG	1.36
RIS1-21	COMPRESSOR ASSY	586.50	RY130	1/8 X 3 FLAT	1.52	SC104-168	WASHER D SS316	4.25
RIS1-36	FUSE HOLDER	5.50	RY140	1/4 X 2 FLAT 1.7	2.76	SC104-175	RETAINER	8.66
RIS1-37	ON-OFF SWITCH	17.50	RY142	1/4 X 5 FLAT	5.06	SC104-179	SLINGER	2.86
RIS1-41	INLET ELBOW	8.00	RY145	3/16 X 2 1/2 FL-1.6	2.54	SC104-202	SEAL RETAINER	8.66
RIS1-49	FITTING 3/4X1-1/4	6.40	RY150	3/16X3 FLAT - 1.91	3.08	SC105-465	HEX NUT SS303	9.20
RIS1-50	FITTING 1/2X1-1/4	6.40	RY165	3/16X4 FLAT 2.55#	4.76	SC110-137	SHFT SLV 1.5-2 SC	18.00
RIS1-51	SIDE SEL SWITCH	18.75	RY167	3/16 X 5 FLAT	5.96	SC110-175	SLEEVE	80.00
RIS1-61	COLLECTOR SHELL	21.50	RY170	1/4 X 4 FLAT - 3.40	4.22	SC110-192	SHAFT SLEEVE	70.00
RIS1-64	COLLECTOR INSERT 1/2	7.20	RY200	1/8X1X1 ANGLE .08	1.10	SC116-105	SHAFT O RING	8.66
RIS1-A10	ASSY AERATOR	36.90	RY204	1/8X3/4X3/4 ANGLE	0.97	SC116-141	O RING 1.5-2 SP CT	6.36
RIS4-15	ELBOW BOOM END	12.50	RY205	3/16 X 1 X 1 ANGLE	2.30	SC116-146	O RING RKLD 400V	8.66
RIS4-17	COLLECTOR DROP HOSE	18.20	RY210	3/16X2X1 1/2 ANGLE 2.12	2.88	SC116-150	O RING SSD515	13.36
RIS4-18	2 COLL INSERT	7.30	RY220	1/4X2X1 1/2 ANGLE	3.74	SC116-193	O RING RKLD 400V	6.36
RIS4-19	COLLECTOR CART	17.25	RY290	2 CHANNEL - 1.78	2.34	SC118-111A	IMPELLER RETAINER	6.36
RIS4-26	VALVE MTG BKT	9.30	RY300	3 CHANNEL 4.1	6.50	SC118-111C	IMPELLER BOLT	37.00
RIS5-05	3/8 FERRULE NUT	1.40	RY500	1 X 16 GA SQUARE TUBING	3.98	SC118-114	CHECK VALVE	24.00
RIS8-01	HOMOGENIZER	12.50	RY510	1-1/4X14 GA SQ TUBE	3.04	SC118-340	REPAIR KIT	45.00
RIS8-06	INLINE CHECK VALVE	11.25	RY603	3/8 HR ROUND .38	0.86	SC118-340A	REPAIR KIT	80.00
RITM-T10	TANK 10 G	295.00	RY605	1/2 HR ROUND .668	1.53	SC118-597	IMPELLER RETAINER	6.36
RITM-T10LS	TANK ASSY/STAND	225.00	RY705	1/4 X GALV PIPE	2.04	SC130-211	CASING - FPH 61	207.00
RITM-T6	TANK ASSY	255.00	RY710	1/4" AL PIPE	5.00	SC130-239	CASING - FKG74	286.00
RITMD-PU	TRAC-MASTER POWER UNIT	1,085.00	RY740	1GALV PIPE	3.60	SC130-295X	3 FKG AV5 VOLUTE	1,188.00
RITMD2100	TRAC MASTER-10GAL DIA.COMP.	1,665.00	RY745	1 BLACK PIPE	3.36	SC131-238	IMPELLER #FKG	86.00
RITTT4401	TRUETRACKER 15'	305.00	RY750	1 IPS ALUM PIPE	4.62	SC131-286	IMPELLER	163.00
RITTP-2028	60 OZ TANK	17.80	RY755	1-1/4 BLACK PIPE	4.68	SC131-302	3 SCOT IMP.	193.00
RITTP2116	COLL HDS TURF TRACKER	23.70	RY760	1 X 7/32 MECH TUBING	7.80	SC131-304	IMPELLER FFE 75 3"	168.00
RITTP2118	TRF TRK CAP ASSY	23.23	SAT150DEC	DECAL - 150 GAL	6.25	SC131-315	IMPELLER	94.60
RIVTD2030	VERSA TRAC 2030	1,845.00	SAT150LID	ALUMINUM LID	13.00	SC131-660	IMPELLER SS	1,053.00
RS11558V	SEAL RPL 18025	83.06	SAT500DEC	500 GAL DECAL	7.95	SC132-155	ADAPTER	168.00
RS200SC	SEAL RPL 3430-589 SC	144.39	SC101-102	SEAL BUNA-N # FKG	35.00	SC132-200	ADAPTER	120.96
RS200V	SEAL RPL 2120-9	26.80	SC101-115	SEAL VITON #FKG	45.00	SC132-224	SS BACK PLATE	901.00
RS201SC	SEAL RPL 2120-11, 101-115 SC	271.53	SC101-120	SEAL	75.00	SC132-232	END BRACKET	271.00
RS201V	SEAL RPL 2120-11, 101-115	27.03	SC101-173	SEAL	66.00	SC135-187	SHAFT SLEEVE	66.00
RS245V	SEAL RPL 17035	45.36	SC101-175	SEAL	121.00	SC135-193X	SHAFT	640.00
RS601ESS	SEAL RPL 12713	21.25	SC101-191	SEAL HYC PUMP	98.00	SC135-203X	SHAFT	583.00
RS601VSS	SEAL RPL 12713V	34.80	SC101-194	SEAL RKLD 400V	90.00	SC137001054	IMPELLER 6.3" 231 PUMP	136.00
RS806125SC	SEAL RPL BAC7SC	167.39	SC101-194A	SEAL	325.00	SC137001114X	SEAL	110.00
RS806125V	SEAL RPL BAC7V	26.10	SC101-210	SEAL	177.00	SC3020K053	2x2 3 HP TEFC	1,136.00

# SPRAY TECH

MANUFACTURING, INCORPORATED

PART #	DESCRIPTION	LIST	PART #	DESCRIPTION	LIST	PART #	DESCRIPTION	LIST
SC3046K041	15 HP 3 PUMP	3,178.00	SF8020833238	115V PMP 1.6GPM 100PSI	257.00	SN150137	850 ELIP. TANK	970.38
SC3280K002	2X2 CI PUMP FOR ELEC	540.00	SF8030239	12V 150PSI 1.6G VIT	224.00	SN1580000C	35 G MIX LOW PRFL	128.30
SCFFE273P	PUMP ELEC 1-1/2	579.00	SF8433022	PRS SWITCH 100 PSI	39.20	SN1600HOOP	1600 TANK HOOP	729.56
SCFFE74	PMP 2X3HP SNGL PH	1,283.70	SF8531236	115V PMP 1.5G 60PSI VIT	197.01	SN1600LEG	1600 GAL LEG TANK	2,443.94
SCFFE743HP	PUMP 2X3HP 1P ODP	1,047.00	SF8533250	BY PMP 1.4 G 115V	196.00	SN167HD	550 G. VERT HD 64X46	654.00
SCFFE75	3 x 7.5 HP 3PH ODP	2,042.00	SF8543236	SHURFLO 12V 1.8GPM	130.76	SN1685BLK	1685G BLK SUPERNURSE	2,849.26
SCFFE75R150P2	SCOT 3" FERT TFR PMP	2,873.00	SF8543936	SHURFLO 1.4G 12V 60 PSI	145.00	SN1685HOOPS	1685 SN HOOPS-SET	437.06
SCFG413V5	PUMP 5HP B/S 1-1/4	730.00	SF8547189	12V PMP 107PSI 1.8GPM	146.00	SN182	550 G. #182 BLK.	490.04
SCFK74AV5H	2 CI PUMP W/HONDA	1,734.00	SF8643236	12V PMP 1.8 GPM	179.82	SN2600BTNK	2600G BLACK 82x70x155	5,404.93
SCFKG74AV5	PUMP 2 5HP VITON	1,283.00	SF9325-043-101	SUB PMP, 24V	1,140.00	SN2600HOOP	2600 HOOP-SET OF 4	1,079.76
SCFPD515	3 FRAME PUMP	1,318.00	SF9400401	REAR ENDBELL	37.72	SN331001	GASKET EPDM STD	2.13
SCFPH61	FRAMEPUMP 2X2	583.00	SF9421002	PRS SWITCH	23.00	SN331002	VITON FITTING GASKET	10.62
SCK3202044	CI PUMP ONLY	524.00	SF9423036	SW REPL KT 50PSI VIT	26.00	SN331040	O-RING	2.13
SCPSP303	PRESSURE SEAL PUMP	1,950.00	SF9423105	UPPER HOUSING	50.89	SN340001	FITTING 3/4 STD	8.70
SCSSD515	SS PUMP-PED	3,910.00	SF9423130	UPPER HOUSING KIT	12.66	SN340002	FITTING 1 STD	8.70
SERVICE	SERVICE CALL	75.00	SF9423205	VALVE KIT-VI	45.44	SN340003	FITTING 1-1/4 STD	8.70
SF1100PTS	AG RNR TRNSFR SYS EPDM	1,448.00	SF9423611	2088 CMPL PMP HD	145.00	SN340004	FITTING 1-1/2 STD	8.70
SF1105	BLK CHEM PMP, VI	809.00	SF9423705	CHECK VALVE 2088	21.27	SN340023	CAP ONLY ANTI-VORT	6.37
SF1105PTSI	AG RNR VIT IN LINE FM	1,538.00	SF9423803	DIA DRIVE KIT	32.53	SN340024	AGITATION INSERT	2.68
SF1105REC	M BLK TFR 12V VIT	1,828.00	SF9437405	CHECK VALVE ASSY	10.25	SN341028	8" SNYDER LID	31.47
SF1105RECDT	M BLK TFR 12V VIT CMPL	1,828.00	SF9437505	8000 SWITCH KIT	25.44	SN341104	FITTING 2 HD	18.10
SF2087-135	PMP 3G 45P 1/2"M VIT	179.00	SF9437900	8000 UPPER HOUSING	17.85	SN341125	18" HINGED LID ASSY	141.43
SF2088-135	PMP 3G 40P 1/2"M VIT	171.00	SF9438002	8000 PUMP HEAD	109.62	SN343007	LID 10"	27.75
SF2088-144	PMP 115V 3G 45PSI 1/2" M	272.00	SF9439005	VALVE KIT	39.11	SN343012	18" TANK LID	57.15
SF2088-154	PMP 115V 3.2G 45PSI 1/2"M	241.00	SF9439107	VALVE KIT-VI	44.81	SN343047	LID 6" SCREW ON	17.01
SF2088-435	PMP 3G 45P 1/2"M	181.00	SF9439109	VALVE KIT-VI	44.81	SN343080	SNYDER THREAD CAP	23.33
SF2088-500	NO CNTRL BY PMP 3.3G 50P 1/2"M	167.00	SF9439505	8000 DIA KIT VI	53.54	SN345008	LID TIE POLY	2.43
SF2088443144	12V PMP 45PSI SANTO	155.00	SF9439506	8000 DIA KIT	17.60	SN34700088	10" THREADED LID	28.62
SF234-2916	SW FITTING STR 3/8 BRB	1.15	SF9471900	AG RNR DIA/LWR HSG	83.00	SN34700529	J BOLT KIT	66.98
SF234-2926	SW FITTING STR 1/2 BRB	1.15	SF9472000	AG RNR VLV KIT	81.25	SN347007	1 1/4" FIT W/ANTI-VORTEX	13.41
SF234-3916	SW FITTING ELB 3/8 BRB	1.15	SF9472100	MBULK CHEM PMP HSG	70.50	SN34701800	J BOLT KIT f/2600	131.10
SF234-3926	SW FITTING ELB 1/2 BRB	1.15	SF9473400	NUTATING CHMBR KIT	59.00	SN350001	J BOLT	3.19
SF3010-000	DRILL PUMP	25.56	SF9474700	ROCKER SWITCH	17.00	SN40600	SADDLES 150G TV	320.18
SF34-007	HEAT SINK-COOLER	22.50	SF9491002	PRS SWITCH	23.00	SN43100	LINER 110x30-150x32	65.06
SF4211-035	PWR TWN PMP 12V	421.00	SFFM1100-I	MINI FLWMTR INLINE	347.00	SN43200	LINER 150x30-200x32	81.56
SF50591310D12	PMP 5.3G 12V 60PSI	260.00	SFSLV10AA46	12V P/V/S 40PSI w/AG PLG	82.25	SN43600	LINER 200x38	81.56
SF8000-220	BY PMP 1.5G 60P 3/8"F VIT	129.00	SN10007	1650 SPR NRS 71X55X140	2,353.83	SN43700	LINER 300x38-400x4	92.79
SF8000-290	NO CNTRL PMP 1.8G 100P 3/8"F	121.92	SN1025	1025 GAL NURSE WHITE	1,546.25	SN43900	LINER 400x48	54.80
SF8000236	PMP 1G 60P 3/8"F VIT	116.58	SN1025B	1025 BLK LEG	1,526.45	SN44000	LINER 500x48	136.28
SF8000250	BY PMP 1.8G 45P 3/8"F	127.34	SN1025SHOOPS	HOOPS 1 SET 1025	355.69	SN45400	SKID 500G 38x48	1,086.74
SF8000541250	BY PMP 1G 45P VIT	141.00	SN1050HOOP	HOOP FOR 1050 TANK	270.00	SN750CDL	750G CTR DRAIN LEG	1,308.04
SF8007594838	12V P/V/S 100P 3.5C	159.00	SN1105AD	110 GAL POLY TANK CRADLE	95.00	SN8120	1500 G V BLK 86 x 73.5	1,189.00
SF8007836	1.8G 60P 3/8"F MNL SW	139.11	SN12738	200 GAL. TRIM-VIEW TANK	412.00	SN8140	2600 V 90 x 107 HD	1,925.00
SF8009250	BY PMP 1.4G 45P 3/8"F	144.00	SN13037	750GAL. DRAINABLE LEG	1,257.73	SN8160BLK	3000G VERT BLACK	2,850.00



PART #	DESCRIPTION	LIST	PART #	DESCRIPTION	LIST	PART #	DESCRIPTION	LIST
SN822037	6200 VST WHT	6,019.68	SP11004	TIP 110 #4 BR	4.77	SP11990-64	SWIVEL	19.56
SOGSO	SOI GSO	269.00	SP11004SS	TIP 110 #4 SS	12.22	SP11990-9	SWIVEL BRASS	19.56
SP0002SS	ST STRM TIP #2 SS	12.22	SP11004VP	TIP 110 #4 VP	1.01	SP12-6	GUNJET #12/D-6	136.33
SP0003SS	ST STRM TIP #3 SS	12.22	SP11004VS	TIP 110 #4 RED VS	7.09	SP12094	TEEJET BDY 1/4" F NY	1.78
SP0004SS	ST STRM TIP #4 SS	12.22	SP11005	TIP 110 #5 BR	4.77	SP12126	COVER PLATE/SP17AL	57.92
SP0005SS	ST STRM TIP #5 SS	12.22	SP11005SS	TIP 110 #5 SS	12.22	SP12127	SELECTOR TIP-SP17	4.60
SP0006SS	ST STRM TIP #6 SS	12.22	SP11005VP	TIP 110 # 5 VP	1.01	SP12128	SELECTOR SHIELD-SP17	6.94
SP0008SS	ST STRM TIP #8 SS	12.22	SP11005VS	TIP 110 #5 BRN VS	7.09	SP12129	SPACER # 17	6.18
SP0010SS	ST STRM TIP #10 SS	12.22	SP11006	TIP 110 #6 BR	4.77	SP12130	PACKING GLAND-SP17	8.87
SP0015SS	ST STRM TIP #15 SS	12.22	SP110067SS	TIP 110 .67 SS	12.04	SP122-12-100	122 STR 100M	20.33
SP0020SS	ST STRM TIP #20 SS	12.22	SP11006LP	TIP 110 #6 LP	7.09	SP122-12-50	1/2" STR 50M PP	20.33
SP0030SS	ST STRM TIP #30 SS	12.22	SP11006SS	TIP 110 #6 SS	12.22	SP122-34	3/4" STR 50M PP	20.33
SP0040SS	ST STRM TIP #40 SS	12.22	SP11006VP	TIP 110 # 6 VP	1.01	SP12201	1" NZL BDY EL CE	15.44
SP10516	CORE ASSY-SP12&13	19.82	SP11006VS	TIP 110 #6 GRV VS	7.09	SP12201-34	3/4" NZL BDY EL CE	15.44
SP10565	CORE ASSY-SP43&143	32.39	SP11008	TIP 110 #8 BR	4.77	SP12202	1" NZL BDY TEE CE	15.44
SP10565AL	CORE ASSY-ALUM	32.39	SP11008SS	TIP 110 #8 SS	12.22	SP12202-34	3/4" NZL BDY CE	15.44
SP10566	NOZ HOUSE-SP 43&143	21.04	SP11008VP	TIP 110 #8 VP	1.01	SP12285-2SS	50M SS SCR N 124	23.22
SP10566AL	NOZ HOUSING	20.26	SP11008VS	TIP 110 #8 WHT VS	7.09	SP12285-4SS	30M SS SCR N 124	23.22
SP10571	GUIDE VANE	9.24	SP11010	TIP 110 #10 BR	4.77	SP12290-2	124 STR SCR N 30M	40.62
SP10571AL	GUIDE VANE AL	9.55	SP11010ESS	TIP 110-10E SS	12.44	SP12290-3	50M SCR N 124	40.62
SP10576	STEM	22.90	SP11010SS	TIP 110 #10 SS	12.22	SP12291	BUNA GSKT / 124	5.54
SP10742	CHECK VALVE 1/4 BR	43.38	SP110112DI	1 1/2" PRV DI	225.66	SP12291-V	VITON GSKT / 124	17.35
SP110-1	1" PRV BRASS	280.80	SP110114DI	1 1/4" PRV DI	225.66	SP12328	CHECK VLV 1/2" NY	99.50
SP110-14	1/4" PRV BRASS	63.46	SP11015	TIP 110 #15 BR	4.77	SP12328-34	CHECK VLV 3/4" NY	99.50
SP110-14-700	1/4" PRV-700#	63.46	SP11015SS	TIP 110 #15 SS	12.22	SP12328BRK	12328 REPAIR KIT	41.37
SP110-1410	1/4" PRV-1000#	67.93	SP11020	TIP 110 #20 BR	4.77	SP12335-FA	DIAPHRAGM F/12328	4.62
SP110-1DI	1" PRV - DUCTILE IRON	217.39	SP11020SS	TIP 110 #20 SS	12.22	SP12335-V	DIAPHRAGM-VITON	11.00
SP110-38	3/8" PRV BR - 300#	63.46	SP11030	TIP 110 #30 BR	4.77	SP124-150AL	STRNR 1 1/2" AL 16	161.45
SP1100067	TIP 110 .067 BR	4.77	SP11118-2	SIPHON CAP/6290	10.93	SP124-150SC	STR SELF CLEAN 1 1/2	100.20
SP11001	TIP 110 #1 BR	4.77	SP11125QVS	1 1/2" SQ VS CLMP	10.66	SP124-34AL	STRAINER 3/4" AL	99.78
SP110015	TIP 110 #1.5 BR	4.77	SP11145QVS	CLMP VS 1-1/4" SQ	8.97	SP124075SC	STRAINER SC	72.80
SP110015SS	TIP 110 #1.5 SS	12.22	SP1114V-S	CLMP VS 1 1/4" RND	8.68	SP124100-I	1" STR CI & NY	104.59
SP110015VP	TIP 110 #1.5 VP	1.01	SP111714	700# SPRG/6815 PRV	9.65	SP124100SC	STR SELF CLEAN 1"	72.80
SP110015VS	TIP 110 #1.5 GRN VS	7.09	SP11740B	SWVL MGH T x FGHT	41.17	SP124125-1	1 1/4" STR CI & NY	163.15
SP11001SS	TIP 110 #1 SS	12.22	SP11750	CHECK VALVE BRASS	7.51	SP124125-ML	1 1/4" STR AL w/ ML	187.30
SP11001VS	TIP 110 #1 ORNG VS	7.09	SP11750P	CHECK VALVE POLY	6.39	SP124125-ML-1	1" STR AL w/ ML	119.97
SP11002	TIP 110 #2 BR	4.77	SP11750SS	CHECK VALVE SS	24.05	SP1255CN80	1 1/4" SC STR 80M	106.21
SP11002SS	TIP 110 #2 SS	12.22	SP11886-3	SPRING - #110-1/4	6.15	SP126-3-50	126 STR 3/4" 50M	37.55
SP11002VP	TIP 110 #2 VP	1.01	SP11893-DI	BODY 110-1 DI	83.17	SP126-4-50	126 STR 1" 50M	37.55
SP11002VS	TIP 110 #2 YLW VS	7.09	SP11896-1	INLET ADPTR-110-1	35.83	SP126-5-50	126 STR 1 1/4" 50M	76.87
SP11003	TIP 110 #3 BR	4.77	SP11897	SPRING RETAINER	7.30	SP126-6-50	126 STR 1 1/2" 50M	76.87
SP11003SS	TIP 110 #3 SS	12.22	SP11944	SPRING 110 1-1/4	11.24	SP12670	TEEJET HSE BDY 3/8"	7.46
SP11003VP	TIP 110 #3 VP	1.01	SP11950SS	STABILIZER SS	18.66	SP12686-100	STR BRASS 1/8" VVL	2.67
SP11003VS	TIP 110 #3 BLU VS	7.09	SP11990-6	SWIVEL BRASS	19.56	SP12687-100	STR BRASS 1/4" VVL	2.67

# SPRAY TECH

MANUFACTURING, INCORPORATED

PART #	DESCRIPTION	LIST	PART #	DESCRIPTION	LIST	PART #	DESCRIPTION	LIST
SP12687-50	STR BRASS 1/4" VVL	2.67	SP13434	HS CON, 1/4" x 3/8" EL	5.01	SP14803	SPRING FOR 144	7.49
SP12687100S	STR SS 1/4" VVL	9.19	SP13435	HS CON, 1/4" x 3/8" TEE	5.01	SP14804	BOTTOM PLATE/144	6.08
SP12690-34	THR VALVE 3/4" NY	105.15	SP13436	HS CON, 1/4" x 3/8" CR	5.01	SP14806	WASHER FOR 144	6.26
SP12695214	SCREW-12795	4.88	SP13437	HS CON, 1/4" x 1/2" EL	5.01	SP14807	SEAT WASHER RETAINER	19.00
SP126M4550	126 STR 1" SC	58.05	SP13438	HS CON, 1/4" x 1/2" TEE	5.01	SP14808	LOWER DIA HOUSING	27.34
SP126M5550	126 STR 1 1/4" SC	97.39	SP14255-1	CUP PACKING BUNA	6.52	SP14811	SPACER FOR 144	1.94
SP12795-1	1" THR VLV-BR	220.70	SP14255-1VI	CUP PACKING VITON	11.12	SP14812	STEM/144 DIRECT SS	21.48
SP12795-112	1 1/2" THR VALVE	300.24	SP143ALGHT	GUNJET #143/D-6	104.05	SP14813	RET RING 144	2.29
SP12797	SEAT CELCON-12795	37.57	SP143RK	REPAIR KIT/GUN#143	33.56	SP14814	JAM NUT 144	6.18
SP12799	GASKET NY F/110	5.01	SP144-13RK	KIT 144-1-3	36.61	SP14817	LOW DIA PISTON/144	10.09
SP12800	GASKET NYLON	6.85	SP144-2RK	REPAIR KIT	52.62	SP14926	COIL COVER 144	3.96
SP12A-6	GUNJET W/D6	125.19	SP1442RKVI	144-2 REPAIR KIT VI	83.96	SP14AB	1/4" CHK VLV-20#	53.72
SP12ARK	REP KIT #12 GUNJET	23.57	SP144A	DIRECTOVALVE 100#	177.66	SP14BSS2-5	WHIRL JET	49.37
SP12K120	FLOODJET NOZZLE BR	21.18	SP144A-1-3	DIRECTOVALVE-3 WAY	241.74	SP14BSS3	WHIRL JET	46.79
SP12K60	FLOODJET NOZZLE BR	21.18	SP144A-13V	REPAIR KIT - VITON	48.95	SP14BSS5-5	WHIRL JET	49.37
SP12K60SS	FLOODJET NOZ SS	35.58	SP144A-2	2 DIRECTOVALVE BNK	359.90	SP14H1515SS	VEEJET NZL-SS *	12.42
SP12K70SS	FLOODJET NOZ SS	35.58	SP144A-3	3 DIRECTOVALVE BNK	542.18	SP14K-SS7.5	FLOODJET 7.5 SS	21.94
SP12K80SS	FLOODJET NOZ SS	35.58	SP144A-V	DIRECTOVALVE-VITON	209.32	SP14K10SS	FLOODJET 10 SS	21.94
SP12RK	REPAIR KIT/GUN#12	23.57	SP144A13RK	KIT 144A-1-3	36.61	SP14K15SS	FLOODJET 15 SS	21.94
SP12V-5	CLAMP VS 1/2" RD	5.18	SP144A3-3	VALVE-3 WAY	733.07	SP14K18SS	FLOODJET 18 SS	21.94
SP12XP40L-VP	1/2" XP BOOMJET 40 L	68.11	SP144ARK	REPAIR KIT 144A	31.91	SP14K20	FLOODJET 20 BR	9.47
SP12XP40R-VP	1/2" XP BOOMJET 40 R	68.11	SP144AVRK	VITON REP KIT 144A	47.72	SP14K24	FLOODJET 24 BR	9.47
SP12XP80L-VP	1/2" XP BOOMJET 80 L	68.11	SP144F-1-3	DIRECTOVALVE 3WAY-65#	199.05	SP14K24SS	FLOODJET 24 SS	21.94
SP12XP80R-VP	1/2" XP BOOMJET 80 R	68.11	SP144P	DIRECTOVALVE	244.84	SP14K27SS	FLOODJET 27 SS	21.94
SP13	TEEJET CORE BRASS	2.95	SP144P-1-3	144P 3-WY SOLENOID	292.71	SP14K5SS	FLOODJET 5 SS	21.94
SP13093-12	SCREW/1/2" VS CLMP	1.63	SP144P-3	DIRECTOVALVE	734.36	SP14KLC18	FIELDJET 18 BR	48.17
SP1321	TEEJET BDY 1/4" F BR	2.57	SP144PRK	144P REPAIR KIT	47.72	SP14KLC36	FIELDJET 36 BR	48.17
SP13212-12	GH SWIVEL ADAPTER	6.13	SP144RK	144 REPAIR KIT	31.91	SP14KLC36SS	FIELDJET 36 SS	78.81
SP13212-38	GH SWIVEL ADAPTER	6.13	SP144RKVI	144 REP KIT VITON	47.72	SP14KLC5	FIELDJET 5 BR	48.17
SP1321SS	TEEJET BDY 1/4" F SS	17.02	SP145H	1" VALVE-100 PSI	406.78	SP14KLC9	FIELDJET 9 BR	48.17
SP1322	TEEJET BDY 1/4" M BR	2.57	SP145H-1V	1" VALVE-VITON	439.78	SP14KLCSS9	FIELDJET 9 SS	78.81
SP1322SS	TEEJET BDY 1/4" M SS	17.02	SP145HRK	145H REPAIR KIT	57.48	SP14TTJ02VS	TURFJET 02-VS	19.46
SP1323	TEEJET BDY 3/8" F BR	4.42	SP145HRKVI	145H VITON REP KIT	82.35	SP14TTJ04VS	TURFJET 04-VS	19.46
SP1324	TEEJET BDY 3/8" M BR	2.57	SP14633-BU	GASKET - BUNA 124	8.61	SP14TTJ05VS	TURFJET 05-VS	19.46
SP1325	TEEJET NOZ CAP BR	1.56	SP14634-1	16M SCR N 124 STR	70.76	SP14TTJ06VS	TURFJET 06-VS	19.46
SP1325AL	TEEJET NOZ CAP AL	1.48	SP14634-2	30M SCR N 124 STR	70.76	SP14TTJ08VP	TURFJET 08-VP	10.06
SP1325SS	TEEJET NOZ CAP SS	9.27	SP14634-3	50M SCR N 124 STR	70.76	SP14TTJ08VS	TURFJET 08-VS	19.46
SP1325XL	EXTENDED NOZZLE CAP	1.86	SP14634-8	100M SCR N 124 STR	70.76	SP14TTJ10VP	TURFJET 10-VP	10.06
SP13269	3/8" 3 WY CN (OBSOLETE)	17.15	SP14635	BOWL - NY 124 STR	107.26	SP14TTJ10VS	TURFJET 10-VS	19.46
SP1335	TEEJET BDY 1/8" F BR	2.57	SP14667	SPRING	6.83	SP14TTJ15VP	TURFJET 15-VP	10.06
SP1335SS	TEEJET BDY 1/8" F-SS	17.02	SP146RK	146 REPAIR KIT	48.12	SP14TTJ15VS	TURFJET 15-VS	19.46
SP1336	TEEJET BDY 1/8" M BR	2.57	SP14801	BODY/144 VLV	16.87	SP14U0004S	ST STREAM TIP *	16.32
SP1339	TEEJET BDY 1/2" T	9.37	SP14802	SEAT WASHER/144	6.43	SP14U0006S	ST STREAM TIP *	16.32
SP1340	TEEJET BDY 1/2" TT	9.37	SP14802V	SEAT WASHER VITON	22.62	SP14U0020S	ST STREAM TIP *	16.32



PART #	DESCRIPTION	LIST	PART #	DESCRIPTION	LIST	PART #	DESCRIPTION	LIST
SP14U0030S	ST STREAM TIP *	16.32	SP14VV8005SS	VEEJET NOZZLE *	12.42	SP15941-5	100M SCR N SS GRN	21.23
SP14U0040S	ST STREAM TIP *	16.32	SP14VV8008SS	VEEJET NOZZLE *	12.42	SP15941-6	120M SCR N SS BRN	21.23
SP14U0050S	ST STREAM TIP *	16.32	SP14VV9504	VEEJET NOZZLE *	5.45	SP16315-12	MOTOR SUB-244	84.09
SP14U0540H	VEEJET SS *	12.11	SP14XP10L-VP	XP BOOMJET 10 L	57.19	SP16430	3/4 STR HD 124 (OBS)	25.88
SP14U1510S	VEEJET SS *	12.42	SP14XP10R-VP	XP BOOMJET 10 R	57.19	SP16430-1	1" STR HD 124 (OBS)	25.88
SP14U8010S	VEEJET SS *	12.42	SP14XP20L-SS	XP BOOMJET 20 L SS	86.35	SP16903-1	16M SCR N SS DRK RED	15.08
SP14U8020S	VEEJET SS *	12.42	SP14XP20L-VP	XP BOOMJET 20 L	57.19	SP16903-2	20M SCR N SS TAN	15.08
SP14U9510	VEEJET NOZZLE *	6.08	SP14XP20R-SS	XP BOOMJET 20 R SS	86.35	SP16903-3	30M SCR N SS RED	15.08
SP14USS11003	VEEJET NOZZLE *	11.56	SP14XP20R-VP	XP BOOMJET 20 R	57.19	SP16903-4	50M SCR N SS BLU	15.08
SP14USS8003	VEEJET NOZZLE *	11.56	SP14XP25L-VP	XP BOOMJET 25 L	57.19	SP16903-5	80M SCR N SS YLW	15.08
SP14USS8004	VEEJET NOZZLE *	11.56	SP14XP25R-VP	XP BOOMJET 25 R	57.19	SP16903-6	100M SCR N SS GRN	15.08
SP14V11001S	VEEJET NOZZLE *	5.45	SP15001	TIP 150 #1 BR	10.37	SP16903-7	200M SCR N SS PNK	15.08
SP14V110015S	VEEJET NOZZLE *	12.42	SP150015	TIP 150 #1.5 BR	10.37	SP16908-2	30M SCR N 34ATW	11.07
SP14V11001S	VEEJET NOZZLE *	12.42	SP150015SS	TIP 150 #1.5 SS	18.76	SP16908-3	50M SCR N 34ATW	11.07
SP14V11002	VEEJET NOZZLE *	4.02	SP15001SS	TIP 150 #1 SS	18.76	SP17533	1" UP CLMP-17560	4.51
SP14V11002S	VEEJET NOZZLE *	12.42	SP15002	TIP 150 #2 BR	10.37	SP17674	SCREW SS-24216	3.62
SP14V11003	VEEJET NOZZLE *	5.45	SP15002SS	TIP 150 #2 SS	18.76	SP17L	TEEVALVE 3/4" INLET	148.40
SP14V11003S	VEEJET NOZZLE *	12.42	SP15003	TIP 150 #3 BR	10.37	SP17RK	TEEVALVE REPAIR KIT	41.19
SP14V11004	VEEJET NOZZLE *	4.02	SP15003SS	TIP 150 #3 SS	18.76	SP17Y	TEEVALVE 1" INLET	148.40
SP14V11004S	VEEJET NOZZLE *	12.42	SP15004	TIP 150 #4 BR	10.37	SP18-AL	GUNJET #18-AL	92.15
SP14V11005	VEEJET NOZZLE *	5.45	SP15004SS	TIP 150 #4 SS	18.76	SP18032A	NOZZLE CAP WINGED	1.44
SP14V11005S	VEEJET NOZZLE *	12.42	SP15005	TIP 150 #5 BR	10.37	SP18601	BODY-145 VALVE	27.26
SP14V11006	VEEJET NOZZLE *	5.45	SP15005SS	TIP 150 #5 SS	18.76	SP18605	COIL 145 VALVE	124.66
SP14V11006S	VEEJET NOZZLE *	12.42	SP15006	TIP 150 #6 BR	10.37	SP18606	145 ARMATURE	64.10
SP14V8001S	VEEJET NOZZLE *	5.45	SP15006SS	TIP 150 #6 SS	18.76	SP18621	DIA EPDM-145	13.43
SP14V80015S	VEEJET NOZZLE *	12.42	SP15008	TIP 150 #8 BR	10.37	SP18644	HOSE SHANK CONN	4.31
SP14V8004	VEEJET NOZZLE *	5.45	SP15008SS	TIP 150 #8 SS	18.76	SP18ALRK	REPAIR KIT/#18-AL	25.93
SP14V8004S	VEEJET NOZZLE *	11.56	SP15009	TIP 150 #9 BR	10.37	SP18K-.5	FLOODJET .5 BR	6.01
SP14V8006	VEEJET NOZZLE *	5.45	SP15009SS	TIP 150 #9 SS	18.76	SP18K-.75	FLOODJET .75 BR	6.01
SP14V8006S	VEEJET NOZZLE *	12.42	SP15016125	124 NY HEAD 1 1/4"	74.99	SP18K-.75SS	FLOODJET .75 SS	18.15
SP14V9501	VEEJET NOZZLE *	4.02	SP15095	144A COIL SUB ASSY	69.97	SP18K-1	FLOODJET 1 BR	6.01
SP14V95015SS	VEEJET NOZZLE *	11.56	SP15105S	TEEJET TIP - SS	12.22	SP18K-2	FLOODJET 2 BR	6.01
SP14V9501S	VEEJET NOZZLE *	11.56	SP15161	ARM STOP 144	12.73	SP18K-3	FLOODJET 3 BR	6.01
SP14V9502	VEEJET NOZZLE *	5.45	SP15163	COIL FOR 144A	58.81	SP18K1-5	FLOODJET 1.5 BR	6.01
SP14V9502S	VEEJET NOZZLE *	11.56	SP15167	SPRING OLD 144	6.22	SP18K12SS	FLOODJET 12 SS	18.15
SP14V9503SS	VEEJET NOZZLE *	11.56	SP15170	ARMATURE STEEL N.P.	23.47	SP18K18SS	FLOODJET 18 SS	18.15
SP14V9505	VEEJET NOZZLE *	5.45	SP15403-PP	BOWL-NY 124	32.92	SP18K1SS	FLOODJET 1 SS	18.15
SP14V9506	VEEJET NOZZLE *	5.45	SP15427	HOSE SHANK 1/4"	10.27	SP18K2SS	FLOODJET 2 SS	18.15
SP14VV80015SS	VEEJET NOZZLE *	12.42	SP15720	LOWER DIAPH PISTON	26.58	SP19013	GASKET	2.35
SP14VV8001SS	VEEJET NOZZLE *	12.42	SP15905	144 COIL SUB ASSY	69.97	SP19237	PACKING SCREW 43 GJ	5.80
SP14VV8002	VEEJET NOZZLE *	5.45	SP15941-1	16M SCR N SS DRK RED	21.23	SP19238	STEM # 43	26.65
SP14VV8002SS	VEEJET NOZZLE *	12.42	SP15941-2	30M SCR N SS RED	21.23	SP19239	STEM 43A GUN	20.41
SP14VV8003SS	VEEJET NOZZLE *	12.42	SP15941-3	50M SCR N SS BLU	21.23	SP19268	6-32 SCREW SS	6.10
SP14VV8004SS	VEEJET NOZZLE *	12.42	SP15941-4	80M SCR N SS YLW	21.23	SP19811	PACKING SCREW - 30	5.17

# SPRAY TECH

MANUFACTURING, INCORPORATED

PART #	DESCRIPTION	LIST	PART #	DESCRIPTION	LIST	PART #	DESCRIPTION	LIST
SP19812	GSKT BR 30 GUN	4.31	SP22190-1	1" QJ BDY & CLMP	6.43	SP23306H-6	HARDI CAP ADAPTER	1.38
SP19819	WASHER SS	1.73	SP22406-PP	BY-PASS ADPTR	21.10	SP23306H-7	HARDI CAP ADAPTER	1.38
SP19845-50	TIP STR-PP	1.68	SP22470-14	ISOLATOR ASSY	97.77	SP23307-3	HARDI ADAPTER GR	1.00
SP1K300	1" NPT FLOODJET 300	119.92	SP22650-14	TRIGGERJET ONLY-1/4	31.88	SP23307-5	HARDI ADAPTER GR	1.00
SP1K450SS	1" FLOODJET 450 SS	207.56	SP22650-406	TRIGGERJET 3/8" BRB	31.88	SP23307-6	HARDI ADAPTER YLW	1.00
SP1SQVS	1" SQ VS CLAMP	5.96	SP22650RK	REPAIR KIT-22650	10.97	SP23308	SEAT WASHER RUBBER	0.68
SP1V-S	1" V-S CLAMP	5.18	SP22651	BODY-22650	9.85	SP23433	PACKING SCREW-30LPP	8.82
SP2-45	GNJT #2/AYHSS45	201.71	SP22652	HANDLE- 22650	6.34	SP23437	VALVE SEAT-PP	1.46
SP20016	CLEANING BRUSH	10.37	SP22653	HANDLE- 22650 1/4"	6.34	SP23442	INLET BODY POLY	5.49
SP20101	BODY-344	25.08	SP22654	HANDLE- 22650	6.34	SP23520-12	THROTTLING VLV 1/2	34.30
SP20103	344E SEAL-TEFLON	8.40	SP22661	DIAPH VI 22650	5.04	SP23520-34	THROTTLING VLV-3/4	34.30
SP20104-1	END CAP 344E	22.99	SP22663-15	EXT - 22670	11.32	SP23545	BALL 3 WY PP	41.16
SP20106	BALL FOR 344	10.32	SP22663-24	24 EXT - 22670	18.40	SP23770	ROW APP KT w/SS ARM	89.71
SP20123	1 1/4" SCREW	3.76	SP22664	STR ADAPTER-22670	2.07	SP23775	ARM - 23770	14.65
SP20125TEF	THRUST WASHER	1.78	SP22665-15	EXTENSION ASB 22670	12.84	SP23800	ISOLATOR KIT-744	129.49
SP20133	MOUNTING BRACKET	5.40	SP22665-24	EXTENSION ASB 22670	21.37	SP23800-18	ISOLATOR KIT - 1/8	129.49
SP20301-1N	WTR SENS PPR 3x1	49.21	SP22668	CAP - 22670	1.73	SP23CER	23 CORE CERAMIC	7.11
SP20301-2	WTR SENS PPR 3x2	81.73	SP22669	45 DEGREE ADPTR	2.00	SP23H	GUNJET #23H 1000PSI	80.83
SP20302-1	OIL SENS PPR 3x2	66.59	SP22670-24	TRIGGER JET-PP	57.90	SP23HRK	REPAIR KIT/GUN#23H	27.02
SP20400-18	HIGH PRSR EXT 18	50.11	SP22670RK	REPAIR KIT	14.71	SP23L	GUNJET #23L 250PSI	78.63
SP20400-36	HIGH PRSR EXT 36	63.10	SP22670X18	TRIGGER GUN w/X18	49.49	SP23L76-18	GUNJET SPRAY GUN	124.49
SP20564-VI	GASKET-VITON	4.00	SP22670X8	TRIGGER GUN w/X8	50.24	SP23L76-24	GUNJET SPRAY GUN	131.96
SP2135415	DROP NYLON 15"	8.98	SP22672	PIN	1.38	SP23L76-36	GUNJET SPRAY GUN	142.59
SP2135424	DROP NYLON 24"	10.00	SP22673	45 DG ADPT-22670	2.00	SP23LRK	REPAIR KIT/GUN#23L	23.88
SP21398-H4	CAP AND GASKET	1.38	SP22674	45 DG QJ ADPTR	3.13	SP23NY	#23 CORE NYLON	1.53
SP21398H-3	HARDI CAP-AI TIP	1.38	SP22836	BYPASS ADPTR	24.49	SP24034	CALIBRATION JUG	46.84
SP21398H-6	HARDI CAP-AI TIP	1.38	SP23	#23 CORE BRASS	2.95	SP24216-1	TURRET NOZZLE	23.77
SP21399-3	CAP QJ - RED	0.87	SP23120-12	1/2" PRV-PP	39.56	SP24216-12	1/2" TRIPLE NOZZLE	23.77
SP21399-4	CAP QJ - BLUE	0.87	SP23120-34	3/4" PRV-PP	39.56	SP24216-34	3/4" TRIPLE NOZZLE	23.77
SP21486	MALE COUPLING-NY	4.45	SP23120A12	1/2" PRV PP	59.77	SP24217	QJ INDEX PLATE	12.71
SP21672	BODY 144-1-3	31.88	SP23120A34	3/4" PRV PP	59.77	SP24220	TURRET BODY 24216	7.38
SP21725-6	6 FT END CABLE	59.24	SP23120ARK	REPAIR KIT	22.92	SP24221	CLIP	2.92
SP21736	MALE CONN NYLON	3.92	SP23122	ADJUSTING CAP	12.67	SP24222-34	3/4" CLAMP	3.27
SP21756	PIN FOR 244	0.95	SP23123	LOCK RING	6.79	SP24224	INDEX-24216	0.61
SP21950	CAP - 10# SPRING	4.12	SP23172-PP	BOWL FOR 122	8.25	SP24230112	TRPL NZL 1/2" HS	24.40
SP21950-15	CAP - 15# SPRING	4.12	SP23173	GASKET EPDM-122	5.33	SP24230134	TRPL NZL 3/4" HS	24.40
SP21950-2	CAP - 2# SPRING	4.12	SP23173-V	GSKT VIT 122	10.27	SP24230212	TRPL NZL 1/2" DHS	24.40
SP21950-20	CAP - 20# SPRING	4.12	SP23174-1	16M SCREEN-122	7.05	SP24230234	TRPL NZL 3/4" DHS	24.40
SP21950-30	CAP - 30# SPRING	3.93	SP23174-2	30M SCREEN-122	7.05	SP24231	TRPL NZL 1/4" MPT	25.08
SP21950-8	CAP - 8# SPRING	4.12	SP23220-14M	PLG VLV 1/4" M x CPTHR	25.02	SP244	ELEC REG VLV	109.38
SP21953	DIAPH/EPDM-21950	0.53	SP23240-5	CONTAINER NOZZLE	746.13	SP244RK	244 REPAIR KIT	18.79
SP21953-VI	DIAPH/VIT-21950	1.68	SP23306H-1	HARDI CAP ADAPTER	1.38	SP25	#25 CORE BRASS	2.95
SP22136	BODY 30L	34.96	SP23306H-3	HARDI CAP ADAPTER	1.38	SP25-HSS	#25 CORE-HSS	7.07
SP22138	SPRING SS	2.09	SP23306H-4	HARDI CAP ADAPTER	1.38	SP2501SS	TIP 25 #1 SS	12.22



PART #	DESCRIPTION	LIST	PART #	DESCRIPTION	LIST	PART #	DESCRIPTION	LIST
SP2502SS	TIP 25 #2 SS	12.22	SP31RK	REP KIT/GUNJET 31	20.45	SP3819-SS	LRG OC TIP NUT-SS	34.66
SP2503	TIP 25 #3 BR	4.64	SP33	CORE-BRASS	2.95	SP38560	WIND METER	188.80
SP2503SS	TIP 25 #3 SS	12.22	SP33180	TANK MIX EDUCTOR	70.31	SP38659	MOUNTING BRACKET	9.13
SP2504SS	TIP 25 #4 SS	12.22	SP344BE24C	SHTOFF VLV DDPDT 1"	351.76	SP38720X12	ADJUSTABLE CONE TIP	7.46
SP2505	TIP 25 #5 BR	4.64	SP344BE24COB	SHTOFF DDPDT 1" PKRD CN	368.48	SP38720X18	ADJUSTABLE CONE TIP	7.46
SP2505SS	TIP 25 #5 SS	12.22	SP344BEC-34C	3 WAY VLV 1"	430.49	SP38720X26	ADJUSTABLE CONEJET TIP	7.46
SP2506SS	TIP 25 #6 SS	12.22	SP344BEC23C	SHTOFF VLV 3/4"	351.76	SP38720X8	ADJUSTABLE CONEJET TIP	7.46
SP25657	ADAPTER-25660	24.88	SP344BEC24	SHTOFF VLV 1"	351.76	SP38726-VI	GASKET - 6B	8.22
SP25660-0	GUNJET w/o NZL	98.69	SP344BEC33C	3 WAY VLV 3/4"	430.49	SP38921	TURRET FOR 363	5.12
SP25660-1.5	SPRAY GUN	112.69	SP344BPR2401C	PRV 1" 18 SEC	347.30	SP38925-2	3/4" 360 BODY-NY	5.64
SP25660-3	GUNJET	112.69	SP344BPR2403D	PRV 1" 6 SEC DIN CN	347.30	SP38930-8	PLUG-QJ360C	1.69
SP25660RK	REPAIR KIT	21.44	SP344BRL-2-1	LPRV 1" 6 SEC	361.51	SP38931	E CLIP	1.69
SP25670-1.5	NOZ-25660 1.5	15.88	SP344BRL2301D	1RPM 18SEC RL REG	361.51	SP38936	1/2" HS -360	2.70
SP25670-3	NOZ-25660 3.0	15.88	SP344E-2RK	REPAIR KIT	62.68	SP38937	1/2" DHS -360	3.20
SP25670-4	NOZ-25660 4.0	15.88	SP346BEC25C	SHTOFF VLV 1 1/4"	656.08	SP38938	3/4" HS -360	2.70
SP2570-8	GSKT FOR ATWAL	2.65	SP346BEC26	SHTOFF VLV 1 1/2"	656.08	SP38939	3/4" DHS -360	3.20
SP2570-9	1 1/2 TW STR GSKT	3.39	SP346BPR3503C	3 WY PRV 1 1/4" 6 SEC	756.77	SP38940	1" HS -360	2.70
SP25775-1	EYELET CONN ASB	6.25	SP346RK	SPARE PARTS KIT	55.71	SP38941	1" DHS -360	3.20
SP25775-12	EYELET CONN ASB	6.25	SP34HSW	3/4" HSW EOH STR	79.74	SP38943-2	QJ360B-SEAL- *** OBS ***	5.92
SP25775-34	EYELET CONN	6.25	SP34KLC108	FIELDJET 108 BR	67.32	SP38K30SS	FLOODJET SS 3/8" MPT	29.41
SP25990-34	SWIVEL-NY	14.56	SP34KLC50SS	FIELDJET 50 SS	98.95	SP38K40SS	FLOODJET SS 3/8" MPT	29.41
SP25CER	#25 CORE CERAMIC	7.11	SP34KSS120	FLOODJET SS 120	48.49	SP3910-50	SCREEN HSW 50M	29.46
SP25NY	#25 CORE NYLON	1.53	SP34KSS140	FLOODJET SS 140	87.22	SP39321-SS	FLAT WASHER	4.35
SP26227	GASKET	1.38	SP34Q	STRAINER Q BRASS	73.47	SP39334-VI	GASKET-VITON	1.17
SP27500E34	TNK WSH NOZ TEE	280.06	SP34V-S	3/4" V-S CLAMP	5.18	SP3942	BLANK PLUG BRASS	0.51
SP2812	1/4" PLG/A34ATWB	4.06	SP35	#35 CORE BRASS	2.95	SP3942SS	BLANK PLUG SS	0.77
SP2814	PLUG BRASS 1/2"	8.63	SP35DC	#35 CORE CER	7.11	SP39581	MNFLD BDY	41.51
SP2814-AL	1/2" AL PIPE PLG	5.35	SP36	GUNJET # 36	79.64	SP39583-3	STUD	30.62
SP2930-100	SCREEN ONLY 100M	1.08	SP36101	DIA EPDM 144A	8.32	SP39583-4	STUD	30.77
SP2930-24	SCREEN ONLY 24M	1.08	SP36101-V	DIAPHRAGM 144-VITON	18.77	SP39769	ALIGNMENT INSERT	1.98
SP2930-50	SCREEN ONLY 50M	1.08	SP36301	HANDLE-NY-6B	6.43	SP40015	TIP 40 #1.5 BR	4.64
SP2A90	BRASS GUNJET	166.22	SP37156	1" HOSE BARB	9.64	SP40015E	TIP 40 EV #1.5 BR	4.85
SP2RK	REPAIR KIT/GUN #2	18.52	SP37159	INNER CONNECTION	10.46	SP40015SS	TIP 40 #1.5 SS	12.22
SP30	GUNJET #30	72.17	SP37166	RETAINING CLIP	2.71	SP4001E	TIP 40 EV #1 BR	4.85
SP30L	GUNJET #30 LP	72.17	SP37548	1" THREADED INLET	9.64	SP4001ESS	TIP 40 EV #1 SS	12.44
SP30L-08	GNJT #30 LP/08EXT	113.78	SP37558	BLANK INLET	9.64	SP4002	TIP 40 #2 BR	4.64
SP30L-18	GNJT #30 LP/18EXT	121.23	SP37687	3/8" FPT INLET BDY	9.64	SP4002E	TIP 40 EV #2 BR	4.85
SP30L-24	GNJT #30 LP/24EXT	128.50	SP37926	SS ARM- 23770	17.24	SP4002ESS	TIP 40 EV #2 SS	12.44
SP30L-36	GNJT #30 LP/36EXT	147.61	SP38072	ARMATURE	24.23	SP4003E	TIP 40 EV #3 BR	4.85
SP30L-PP	GUNJET #30 LP/PP	59.86	SP38076	SPRING	7.49	SP4003ESS	TIP 40 EV #3 SS	12.44
SP30LRK	REP KIT/GUNJET 30L	18.24	SP3817	BODY 3/4" T FEM BR	20.99	SP4003SS	TIP 40 #3 SS	12.22
SP30RK	REP KIT/GUNJET 30	22.02	SP3818	BDY 3/4" TT MALE BR	20.99	SP4004	TIP 40 #4 BR	4.64
SP31	GUNJET #31	84.67	SP3818-SS	BDY 3/4" TT MALE SS	59.99	SP4004E	TIP 40 EV #4 BR	4.85
SP31-90-24	GUNJET #31/24 EXT	182.81	SP3819	3/4" BR CAP F/5880	12.21	SP4004ESS	TIP 40 EV #4 SS	12.44

# SPRAY TECH

MANUFACTURING, INCORPORATED

PART #	DESCRIPTION	LIST	PART #	DESCRIPTION	LIST	PART #	DESCRIPTION	LIST
SP4004SS	TIP 40 #4 SS	12.22	SP43L6AL	GUNJET 43L/LONG AL	161.43	SP4620-V	VITON DIAPHRAGM	1.73
SP4005	TIP 40 #5 BR	4.64	SP43LA6	GUNJET 43L/SHORT BR	176.01	SP4620FA	RUBBER DIAPHRAGM	0.53
SP4005ESS	TIP 40 EV #5 SS	12.44	SP43LA6AL	GUNJET 43L/SHORT AL	154.60	SP4624	BRASS RETAINER	3.20
SP4005SS	TIP 40 #5 SS	12.22	SP43LC-12	GUNJET 43LC 1/2" BR	156.24	SP4629-10	3/4 TOC BOOMJET 10	195.19
SP4006	TIP 40 #6 BR	4.64	SP43LC-34	GUNJET 43LC 3/4" BR	156.24	SP4629-150	3/4 TOC BOOMJET 150	195.19
SP4006E	TIP 40 EV #6 BR	4.85	SP43RK	REPAIR KIT/43GJ	44.50	SP4629-20	3/4 BOOMJET NOZ 20	195.19
SP4006ESS	TIP 40 EV #6 SS	12.44	SP442-44T4TC	440 MANIFOLD-2BANK	848.95	SP4629-300	3/4 TOC BOOMJET 300	195.19
SP4006SS	TIP 40 #6 SS	12.22	SP442BEC34T4TC	440 MANIFOLD-2BANK 3/4"	848.95	SP4629-40	3/4 TOC BOOMJET 40	195.19
SP4008SS	TIP 40 #8 SS	12.22	SP4434-4T	3 VALVE MANIFOLD	1,264.18	SP4629-80	3/4 TOC BOOMJET 80	195.19
SP4025SS	TIP 40 #25 SS	12.22	SP4454-4T	5 VALVE MANIFOLD	2,087.34	SP4633-4	SCRN/34Q STR 50M	16.27
SP4030SS	TIP 40 #30 SS	12.22	SP45	#45 CORE BRASS	2.95	SP4634	BUNA GSKT 3/4Q STR	3.82
SP4067-100	CUP STR 100M	1.78	SP45102-3	122 SCREEN-50M	7.77	SP4664B	DIA CHK VALVE BRASS	32.77
SP4067-50	CUP STR 50M	1.78	SP45102-4	122 SCREEN-80M	7.77	SP4666B	DIA CHK VALVE BRASS	32.77
SP4143	GASKET/SWIVEL NOZ	1.78	SP45102-5	122 SCREEM-100M	7.77	SP4673-18	CURVED EXT/SWIVEL	26.48
SP4145	BRASS INLET BODY	8.33	SP4514-10	SLOTTED STR 50M BR	1.53	SP4673-24	CURVED EXT/SWIVEL	27.82
SP4183B	1/4" 45 DEG BDY	51.50	SP4514-10N	SLOTTED STR 50M NY	1.44	SP4673-30	CURVED EXT/SWIVEL	30.61
SP4193-100	BALL CK STR 100 BR	5.70	SP4514-20	SLOTTED STR 25M BR	1.53	SP4673-36	CURVED EXT/SWIVEL	32.74
SP4193-24	BALL CK STR 24 BR	5.70	SP4514-20N	SLOTTED STR 25M NY	1.53	SP4673-48	CURVED EXT/SWIVEL	37.48
SP4193-24P	BALL CK STR 24 PP	4.51	SP4514-32	SLOTTED STR 16M BR	1.53	SP4673-8	CURVED EXT/SWIVEL	22.77
SP4193-5	BALL CK 5#-100 M	5.70	SP4514-32N	SLOTTED STR 16M NY	1.44	SP4676-12	TEEJET ADPTR 1/2" BR	9.89
SP4193-50	BALL CK STR 50 BR	5.70	SP45195	GASKET	1.78	SP4676-14	TEEJET ADPTR 1/4" BR	3.20
SP4193-50P	BALL CK STR 50 PP	4.51	SP45196	GASKET	1.78	SP4676-14N	TEEJET ADPTR 1/4" NY	2.63
SP4193100P	BALL CK STR 100 PP	4.51	SP451BEC24C	450 MNFLD 1"	360.65	SP4676-14S	ADAPTER -SS	10.86
SP4193100S	BALL CK STR 100 SS	22.43	SP45207	#75 x 50 REDUCER	15.55	SP4676-18	TEEJET ADPTR 1/8" BR	3.20
SP419350SS	BALL CK STR 50 SS	22.43	SP453BEC-3FB4-C	450 FLOWBACK MNFLD	1,239.70	SP4676-18N	TEEJET ADPTR 1/8" NY	3.64
SP4202-2	BODY/DBL SWIVEL BR	27.44	SP453BEC24C	450 FLNG MNFLD 3S	1,127.02	SP4676-38	TEEJET ADPTR 3/8" BR	3.20
SP4216	COPPER GASKET	1.73	SP453BEC24CVX	450 FLNG MNFLD 3S CVX	1,177.22	SP4688	TRIGGER VALVE	54.13
SP4251-250	HS 1/4" BRASS	3.67	SP454BEC24C	450 FLNG MNFLD 4S	1,493.59	SP4688RK	REPAIR KIT/4688	16.98
SP4251-400	HS 3/8" BRASS	3.67	SP45512	50 SERIES 1 1/4"	2.91	SP46NY	#46 CORE NYLON	1.53
SP4251-4SS	HS 3/8" SS	7.55	SP45526	1" M QC ADAPTER	6.46	SP46RK	REPAIR KIT/46	15.27
SP4251-500	HS 1/2" BRASS	3.67	SP45527	3/4" M QC	6.46	SP4727	VALVE HANDLE MNPS	13.65
SP4251-500SS	HS 1/2" SS	7.55	SP45529-12	1/2" HB OTLT F/430	9.85	SP4743	GASKET/TEEJET NY	1.77
SP431EC2D	431 EC MANIFOLD	262.84	SP45529-34	3/4" HB OTLT F/430	9.85	SP4743TEF	TEFLON GASKET	6.26
SP433EC2D	433 EC MANIFOLD	692.20	SP45529-90-34	3/4" HB OTLT F/430 90	9.85	SP4784AL	GASKET/AL 3/4T	1.78
SP435EC2D	435 EC MANIFOLD	1,156.56	SP45529-C	QUICK CONNECT CAP	9.85	SP48151	50 SER HB 3/4 90	2.77
SP435EC3D	435 EC 3 MANIFOLD	1,507.82	SP45529-P	QUICK CONNECT PLUG	9.85	SP48154	50 SER x 1 PTF	2.60
SP43ALRK	REPAIR KIT 43L6AL	44.50	SP45632	COIL 144P	165.19	SP48155	50 SER x 1" MPT	2.60
SP43H6	GUNJET 43H/LNG BR	194.28	SP4585	TRIGGER STOP SPRING	1.73	SP48163	75 SER x 1-1/2" HB 90	10.14
SP43H6AL	GUNJET 43H/LNG AL	161.43	SP45DC	CERAMIC CORE	7.11	SP48168	75 SER ELBOW CPLG	13.91
SP43HA6	GUNJET 43H/SHORT BR	176.03	SP45NY	#45 CORE NYLON	1.53	SP48172	50 SER x 3/4" PTM	2.60
SP43HA6AL	GUNJET 43H/SHORT AL	154.60	SP46	#46 CORE BRASS	2.95	SP48221	UPR CLMP-3/4 (NEW)	1.98
SP43HC12AL	GUNJET 43HC 1/2" AL	146.20	SP46066	1 1/2" OUTLET 480	7.23	SP48255	SCREW SS	3.76
SP43HC34	GUNJET 43HC 3/4" BR	156.24	SP46072-50	50 SERIES CLAMP	10.46	SP48654	BWL 126 STR -5,-6	27.85
SP43L6	GUNJET 43L/LONG BR	194.28	SP46127-14	INLET 480	7.23	SP48655	CAP 126 BWL -5,-6	4.95

# SPRAY TECH



MANUFACTURING, INCORPORATED

PART #	DESCRIPTION	LIST	PART #	DESCRIPTION	LIST	PART #	DESCRIPTION	LIST
SP48656	GSKT 126 -5,-6	5.09	SP4916-46	ORIFICE SS	3.57	SP5053-50	STR ASSY 50M	3.24
SP4916-10	ORIFICE SS	3.57	SP4916-47	ORIFICE SS	3.57	SP5053322C05	344 BE MTR ONLY	297.97
SP4916-103	ORIFICE SS	3.57	SP4916-48	ORIFICE SS	3.57	SP50786-38	INLET 50800, 3/8"	2.87
SP4916-107	ORIFICE SS	3.57	SP4916-49	ORIFICE SS	3.57	SP50800-38	TRIGGERJET 3/8"	21.94
SP4916-110	ORIFICE SS	3.57	SP4916-51	ORIFICE SS	3.57	SP5500-X1	ADJ CONEJET TIP BR	22.20
SP4916-115	ORIFICE SS	3.57	SP4916-52	ORIFICE SS	3.57	SP5500-X10	ADJ CONEJET TIP BR	22.20
SP4916-120	ORIFICE SS	3.57	SP4916-54	ORIFICE SS	3.57	SP5500-X12	ADJ CONEJET TIP BR	22.20
SP4916-125	ORIFICE SS	3.57	SP4916-55	ORIFICE SS	3.57	SP5500-X18	ADJ CONEJET TIP BR	22.20
SP4916-128	ORIFICE SS	3.57	SP4916-57	ORIFICE SS	3.57	SP5500-X2	ADJ CONEJET TIP BR	22.20
SP4916-132	ORIFICE SS	3.57	SP4916-59	ORIFICE SS	3.57	SP5500-X22	ADJ CONEJET TIP BR	22.20
SP4916-136	ORIFICE SS	3.57	SP4916-61	ORIFICE SS	3.57	SP5500-X26	ADJ CONEJET TIP BR	22.20
SP4916-140	ORIFICE SS	3.57	SP4916-63	ORIFICE SS	3.57	SP5500-X3	ADJ CONEJET TIP BR	22.20
SP4916-144	ORIFICE SS	3.57	SP4916-65	ORIFICE SS	3.57	SP5500-X4	ADJ CONEJET TIP BR	22.20
SP4916-147	ORIFICE SS	3.57	SP4916-67	ORIFICE SS	3.57	SP5500-X5	ADJ CONEJET TIP BR	22.20
SP4916-15	ORIFICE SS	3.57	SP4916-68	ORIFICE SS	3.57	SP5500-X6	ADJ CONEJET TIP BR	22.20
SP4916-151	ORIFICE SS	3.57	SP4916-70	ORIFICE SS	3.57	SP5500-X8	ADJ CONEJET TIP BR	22.20
SP4916-156	ORIFICE SS	3.57	SP4916-72	ORIFICE SS	3.57	SP5500PX12	ADJ CONEJET TIP PP	10.11
SP4916-161	ORIFICE SS	3.57	SP4916-73	ORIFICE SS	3.57	SP5500PX18	ADJ CONEJET TIP PP	10.11
SP4916-166	ORIFICE SS	3.57	SP4916-75	ORIFICE SS	3.57	SP5500PX22	ADJ CONEJET TIP PP	10.11
SP4916-170	ORIFICE SS	3.57	SP4916-78	ORIFICE SS	3.57	SP5500PX5	ADJ CONEJET TIP PP	10.11
SP4916-177	ORIFICE SS	3.57	SP4916-80	ORIFICE SS	3.57	SP5500PX6	ADJ CONEJET TIP PP	10.11
SP4916-182	ORIFICE SS	3.57	SP4916-81	ORIFICE SS	3.57	SP5500PX8	ADJ CONEJET TIP PP	10.11
SP4916-187	ORIFICE SS	3.57	SP4916-83	ORIFICE SS	3.57	SP55224	450 T BDY NARROW	22.50
SP4916-196	ORIFICE SS	3.57	SP4916-86	ORIFICE SS	3.57	SP55240	HARDI QJ ADAPTER	3.13
SP4916-20	ORIFICE SS	3.57	SP4916-89	ORIFICE SS	3.57	SP55245-50	50 SERIES CLAMP	12.80
SP4916-205	ORIFICE SS	3.57	SP4916-91	ORIFICE SS	3.57	SP55245-75	75 SERIES CLAMP	13.09
SP4916-218	ORIFICE SS	3.57	SP4916-93	ORIFICE SS	3.57	SP55270-12-11	TANK RINSE NOZZLE	95.08
SP4916-24	ORIFICE SS	3.57	SP4916-95	ORIFICE SS	3.57	SP55280-1-05	E CHMSVR .5M CBL	85.15
SP4916-250	ORIFICE SS	3.57	SP4916-96	ORIFICE SS	3.57	SP5539	PLUG TIP 3/4 BOOMJET	1.56
SP4916-27	ORIFICE SS	3.57	SP4916-98	ORIFICE SS	3.57	SP5540	SINGLE SWVL NOZ, M	22.37
SP4916-28	ORIFICE SS	3.57	SP4928	BRASS ADPTR	22.10	SP5594-3	50M SCREEN ATWAL	19.56
SP4916-29	ORIFICE SS	3.57	SP5000	BDY/SWVL TJET BR	20.24	SP5594-7	100M SCR N ATW	13.64
SP4916-30	ORIFICE SS	3.57	SP5000-18	SWVL 1/8" BRASS	20.24	SP56	#56 CORE BRASS	2.95
SP4916-31	ORIFICE SS	3.57	SP50104-NYB	1" WB 1" BRB EL INS	2.70	SP5609	LOCKNUT - BRASS	2.95
SP4916-32	ORIFICE SS	3.57	SP50492-1	126 STR HEAD 1"	13.79	SP5609ALEF	ALUM LOCKNUT	3.10
SP4916-34	ORIFICE SS	3.57	SP50493	BWL 126 -3,-4	13.60	SP5660-11-24C	BALL VALVE ASSY	351.76
SP4916-35	ORIFICE SS	3.57	SP50494	GSKT 126 -3,-4	2.51	SP56601-2-1	1" VALVE ONLY-344	246.23
SP4916-36	ORIFICE SS	3.57	SP50494-VI	VI GSKT 126 -3,-4	6.40	SP56605	356 UNV BODY 1-1/2"	324.48
SP4916-37	ORIFICE SS	3.57	SP50515CP05	344BEC MTR ONLY	297.97	SP56613SS	344 VALVE STEM	53.69
SP4916-39	ORIFICE SS	3.57	SP505166C05	6RPM 3SEC R&RL MTR	316.31	SP56709	QJ350 DIA-EPDM	2.81
SP4916-40	ORIFICE SS	3.57	SP50517	VALVE CLIP	3.34	SP56726	QJ360 SEAL F/CF&E	6.19
SP4916-41	ORIFICE SS	3.57	SP5053-100	STR ASSY 100M	3.24	SP56CER	CORE CERAMIC	7.11
SP4916-43	ORIFICE SS	3.57	SP5053-200	STR ASSY 200M	3.24	SP56HSS	56 CORE HARD SS	7.07
SP4916-45	ORIFICE SS	3.57	SP5053-24	STR ASSY 24M	3.24	SP56NY	#56 CORE NYLON	1.53

# SPRAY TECH

MANUFACTURING, INCORPORATED

PART #	DESCRIPTION	LIST	PART #	DESCRIPTION	LIST	PART #	DESCRIPTION	LIST
SP5700	MULTEEJET ASSY BR	42.31	SP5896	STEM ASSY/PRV BRASS	6.83	SP6504SS	TIP 65 #4 SS	12.22
SP5735	COIL SPRING/#2GJET	5.65	SP5896ALSS	ALUM ADJ SCREW	9.65	SP6505	TIP 65 #5 BR	4.77
SP5795	BRASS TUBE - 2	29.76	SP5898	LOCK NUT/PRV BRASS	2.08	SP6505E	TIP 65 EV #5 BR	4.85
SP5796	STEM #2 GUN	17.97	SP5898-AL	ALUM LOCKNUT	2.08	SP6505SS	TIP 65 #5 SS	12.22
SP5798	SEAT PLATE/GJET NY	6.79	SP5899	GASKET FOR 6815	1.73	SP6506	TIP 65 #6 BR	4.77
SP5799	COLLAR/#2 GJET BR	3.74	SP5932	SWIVEL BODY BR	39.51	SP6506E	TIP 65 EV #6 BR	4.85
SP5800	PRESS PLATE/2 GJET BR	7.23	SP5994	PVC GUNJET HANDLE	10.69	SP6506SS	TIP 65 #6 SS	12.22
SP5802	GUIDE WASHER/GJET	5.80	SP6051-24SS	24M SS STRAINER	12.81	SP6508	TIP 65 #8 BR	4.77
SP5804	CAP - #2 BRASS	11.07	SP6051SS	50M SS STRAINER	12.81	SP6508E	TIP 65 EV #8 BR	4.85
SP5805	BUNA GASKET #2	4.13	SP6104	TRIGGER VALVE	53.62	SP6508SS	TIP 65 #8 SS	12.22
SP5808	GASKET/GH BUNA	4.70	SP6104RK	REPAIR KIT/6104 TV	12.34	SP6510-INP	TRIGGER STOP	6.00
SP5809	LEA PACKING FOR #2	1.78	SP6157	PACKING SCREW #2 BR	3.64	SP6510SS	TIP 65 #10 SS	12.22
SP5811	PACKING SCREW	3.92	SP6227	DIAPHRAGM, TEFLON	0.88	SP6520	TIP 65 #20 BR	4.77
SP5811AL	PACK SCREW 143AL	3.92	SP6266	CAP FOR ATWAL	45.82	SP6520SS	65 DEG #20 SS	12.22
SP5814	SNAP RING	4.00	SP63066	126 STR HD 1-1/2"	28.13	SP6546SS	OUTS SPRING SS	4.18
SP5815	WASHER/#2 GUNJET	4.13	SP63150	GSKT F/ CAP 126 STR	3.33	SP6547SS	INS SPRING SS	3.64
SP58439	RETAINING CLIP	2.41	SP63150-VI	126 STR CAP GSKT	8.51	SP6590	TRIGGER VALVE	54.47
SP58445	430 EC REPL MTR	187.00	SP6406	ADAPTER BR 1/8"	5.40	SP6590RK	REPAIR KIT/6590 TV	12.34
SP58456	LQC GE PORT KIT 430	19.05	SP6466	TRIGGER VALVE	58.35	SP6593-1	SPRING SS 43L	5.80
SP58456-1	LQC GE PORT KIT 430 1"FPT	18.77	SP6466RK	REPAIR KIT/6466 TV	12.34	SP6595	TR STOP SPRING	3.43
SP58456-34	LQC x 3/4" F KIT 430	19.05	SP6471	BRASS BDY EL 3/8"	14.38	SP6597	TRIGGER GUIDE/43	18.02
SP58456125	LQC x 1-1/4" F KIT 430	19.05	SP6472	BRASS BDY TEE 3/8"	14.38	SP6599	43 LOCKNUT	3.92
SP58480	3-WR MINI-DIN F/430	34.08	SP6492	INLET BDY BR-43	47.99	SP6601	PACKING WASHER/43 SS	4.60
SP58480EC05	3-WR MINI-DIN F/430	17.61	SP6492AL	INLET BODY 43 AL	33.77	SP6602	PACKING/43 LEATHER	4.00
SP58480EC0508	3 WR .5M MINI-DIN CBL	34.08	SP650017	TIP 65 .17	9.94	SP6602TEF	PACKING TEFLON	10.09
SP5851B	BR CAP FOR ATWB	9.71	SP650025	TIP 65 .25	9.94	SP6604	BR TUBE 43 GUN	43.27
SP5852	GASKET FOR ATWB	3.16	SP650033	TIP 65 .33	9.94	SP6604AL	AL TUBE 43AL GUN	43.27
SP5856	5880 BOOMJET BODY	159.29	SP650050	TIP 65 .50	4.45	SP6671-18	18" CURVED EXT	19.38
SP586612GH	INLET BODY - 12 GUN	64.97	SP6501	TIP 65 #1 BR	4.77	SP6671-24	24 CURVED EXT	20.02
SP5869-AL	SPRAY HOUSING 12AL	7.68	SP65015	TIP 65 #1.5 BR	4.77	SP6671-30	30 CURVED EXT	22.63
SP5871	HY TIP GSKT F/12	4.13	SP65015E	TIP 65 EV #1.5 BR	4.85	SP6671-36	36 CURVED EXT	25.75
SP5872	GUIDE SLEEVE/12 BR	3.44	SP65015ESS	TIP 65 EV #1.5 SS	12.22	SP6671-48	48 CURVED EXT	29.78
SP5878	BARREL FOR #12	25.34	SP65015SS	TIP 65 #1.5 SS	12.22	SP6710-TEF	SEAT PLT 43 TEFLON	8.09
SP5878AL	ALUM TUBE #12AL	24.47	SP6501E	TIP 65 EV #1 BR	4.85	SP6815-12	1/2" PRV BR	84.30
SP5879	STEM FOR #12	10.63	SP6501SS	TIP 65 #1 SS	12.22	SP6815-1200	3/4" PRV-1200#	173.76
SP5880-06	BOOMJET BRASS	295.68	SP6502	TIP 65 #2 BR	4.77	SP6815-12AL	1/2" PRV AL	74.06
SP5880-10	BOOMJET BRASS	295.68	SP6502E	TIP 65 EV #2 BR	4.85	SP6815-12H	1/2" PRV BR #700	84.30
SP5880-20	BOOMJET BRASS	295.68	SP6502ESS	TIP 65 EV #2 SS	12.22	SP6815-300	REPAIR KIT/300PRV	18.34
SP5880-20AL	BOOMJET ALUM	218.63	SP6502SS	TIP 65 #2 SS	12.22	SP6815-34	3/4" PRV BR	84.30
SP5880-40	BOOMJET BRASS	295.68	SP6503	TIP 65 #3 BR	4.77	SP6815-34H	3/4" PRV BR-700#	84.30
SP5882	HAND GRIP STUD-#12	12.56	SP6503E	TIP 65 EV #3 BR	4.85	SP6815-50	3/4" PRV BR-50#	84.30
SP5883	PACKING WASHER F/12	1.78	SP6503SS	TIP 65 #3 SS	12.22	SP6815-700	REPAIR KIT/700 PRV	15.93
SP5883AL	PACKING WASHER/12 AL	1.78	SP6504	TIP 65 #4 BR	4.77	SP6818-34	BODY-6815	57.80
SP5884	COLLAR	9.20	SP6504E	TIP 65 EV #4 BR	4.85	SP6849	HANDLE FOR 17	10.49



PART #	DESCRIPTION	LIST
SP6863	SEAT HLDR BR43	6.08
SP6864	STEM, 416SS	40.93
SP6866-12	PIPE ADPTR BR43	15.49
SP6871-AL	TUBE ALUM 43A	19.90
SP6943AL	TUBE GASKET-#43	1.78
SP6956	CE VALVE STEM	4.62
SP6958	VALVE SEATS/TVLE P	7.66
SP6959	SS VALVE SPRING	3.75
SP6971	TEEVALVE CAM	5.01
SP6972	MAIN STEM, SS #17	12.37
SP6973	SS GUIDE NUT, 17	6.13
SP6975	GASKET/T VALVE BU	10.00
SP6976	HANDLE WASHER, 17	4.47
SP6B	DIRECTOVALVE	58.43
SP6BRK	6B REPAIR KIT	24.51
SP7130	3/4" EOH STR	62.36
SP7206	RIVET/TEEVALVE STL	6.24
SP7254	SPRING - TEEVALVE	4.37
SP7262	1/2 ADAPTER	9.17
SP730023	TIP .02 GPM	9.94
SP7416	CLAMP-7421	2.98
SP7418	GASKET FOR 7421	2.71
SP7421-1	1" SPLIT EYELET	8.62
SP7421-12	1/2 SPLIT EYELET	8.62
SP7421-34	3/4 SPLIT EYELET	8.62
SP7421-34N	3/4" SPLIT EYE-NY	4.44
SP7421-34S	3/4" SPLIT EYE-SS	14.40
SP7481	TRIGGER GUIDE	13.20
SP7482	STEM ASSY#23	8.43
SP7484	STEM NUT	3.60
SP7489	TS SPRING SS	1.73
SP7490	SEAT/#23 GJ TEFLON	8.93
SP7500	PACKING SCREW/46 AL	6.94
SP7503	LEA PACKING/#46	2.45
SP7546	CLAMP SCREW/#7421	3.68
SP7599	INLET ADPTR	4.94
SP7622	#5 STEEL BURR	1.73
SP7623	RIVET	1.73
SP7688	SCREW FOR 1 V-S	3.82
SP7709	#10 WASHER/43GT SS	7.66
SP7715-08	8" STRAIGHT EXT	13.60
SP7715-18	18" STRAIGHT EXT	17.14
SP7715-24	24" STRAIGHT EXT	18.50
SP7715-30	30" STRAIGHT EXT	22.20

PART #	DESCRIPTION	LIST
SP7715-36	36" STRAIGHT EXT	23.42
SP7715-48	48" STRAIGHT EXT	28.37
SP7717-11V	O-RING VITON-12795	6.85
SP7717-15E	O RING EPDM	3.77
SP7717-15V	O RING-VI-23120A	7.49
SP7717-2/108	O RING VITON-140A	5.79
SP7717-2/109	O RING	2.44
SP7717-2/109V	O RING, VITON 242	5.60
SP7717-2/110	O RING-VITON-22670	1.06
SP7717-2/111	O-RING VITON	6.85
SP7717-2/211B	O RING F/110	5.26
SP7717-2/213V	O-RING VITON	15.26
SP7717-2/216	O RING	6.43
SP7717-2/217B	O RING BUNA	3.75
SP7717-2/218V	O-RING VITON	6.26
SP7717-2/222	O RING, VITON	4.75
SP7717-2/226B	O RING BU/124 3/4&1	6.60
SP7717-2/226V	O RING VI/124 3/4&1	13.58
SP7717-2/229	75 SERIES O-RING	1.84
SP7717-213	O-RING	2.60
SP7717-5	O-RING-5500	5.01
SP7717-7V	O RING, VITON	7.75
SP77173912V	O-RING-VITON	6.26
SP7717M12X25V1	O-RING	2.13
SP7717M28X3	LG ORING - 360 BDY	3.68
SP7717M40X4V1	O RING	2.08
SP7902-AL	OUTLET ADAPTER	11.24
SP7987	SS WASHER F/TV	1.75
SP800050	TIP 80 #0.5 BR	4.77
SP800067	TIP 80 #0.67 BR	4.77
SP8001	TIP 80 #1 BR	4.77
SP80015	TIP 80 #1.5 BR	4.77
SP80015E	TIP 80 EV #1.5 BR	4.85
SP80015ESS	TIP 80 EV #1.5 SS	12.44
SP80015EVS	TP 80 EV #1.5 GRN VS	7.09
SP80015LP	TIP 80 LOW #1.5 BR	6.58
SP80015SS	TIP 80 #1.5 SS	12.22
SP80015VK	TIP 80 #1.5 CER	8.12
SP80015VP	TP 80 #1.5 GRN PLY	1.01
SP80015VS	TIP 80 #1.5 GRN VS	7.09
SP8001E	TIP 80 EV #1 BR	4.85
SP8001ESS	TIP 80 EV #1 SS	12.44
SP8001EVS	TP 80 EV #1 ORNG VS	7.09
SP8001SS	TIP 80 #1 SS	12.22

PART #	DESCRIPTION	LIST
SP8001VS	TIP 80 #1 ORNG VS	7.09
SP8002	TIP 80 #2 BR	4.77
SP8002E	TIP 80 EV #2 BR	4.85
SP8002ESS	TIP 80 EV #2 SS	12.44
SP8002EVS	TP 80 EV #2 YLW VS	7.09
SP8002HSS	8002 H-SS TIP	16.84
SP8002LP	TIP 80 LOW #2 BR	7.09
SP8002SS	TIP 80 #2 SS	12.22
SP8002VK	TIP 80 #2 CER	6.13
SP8002VP	TIP 80 #2 YLW PLY	1.01
SP8002VS	TIP 80 #2 YLW VS	7.09
SP8003	TIP 80 #3 BR	4.77
SP8003E	TIP 80 EV #3 BR	4.85
SP8003ESS	TIP 80 EV #3 SS	12.44
SP8003EVS	TP 80 EV #3 BLU VS	7.09
SP8003LP	TIP 80 LOW #3 BR	7.09
SP8003SS	TIP 80 #3 SS	12.22
SP8003VH	TIP 80 #3 VHSS	12.25
SP8003VP	TIP 80 #3 BLU PLY	1.01
SP8003VS	TIP 80 #3 BLU VS	7.09
SP8004	TIP 80 #4 BR	4.77
SP8004E	TIP 80 EV #4 BR	4.85
SP8004EHSS	TIP 80 EV #4 HSS	17.12
SP8004ESS	TIP 80 EV #4 SS	12.44
SP8004EVS	TP 80 EV #4 RED VS	7.09
SP8004HSS	TIP 80 #4 HSS	16.84
SP8004LP	TIP 80 LOW #4 BR	7.09
SP8004SS	TIP 80 #4 SS	12.22
SP8004VP	TIP 80 #4 RED PLY	1.01
SP8004VS	TIP 80 #4 RED VS	7.09
SP8005	TIP 80 #5 BR	4.77
SP8005E	TIP 80 EV #5 BR	4.85
SP8005EHSS	TIP 80 EV #5 HSS	16.58
SP8005ESS	TIP 80 EV #5 SS	12.44
SP8005EVS	TP 80 EV #5 BRN VS	7.09
SP8005HSS	TIP 80 #5 HSS	16.84
SP8005SS	TIP 80 #5 SS	12.22
SP8005VP	TIP 80 #5 BRN PLY	1.01
SP8005VS	TIP 80 #5 BRN VS	7.09
SP8006	TIP 80 #6 BR	4.77
SP8006E	TIP 80 EV #6 BR	4.85
SP8006EHSS	TIP 80 EV #6 HSS	16.58
SP8006ESS	TIP 80 EV #6 SS	12.44
SP8006EVS	TP 80 EV #6 GRV VS	7.09

# SPRAY TECH

MANUFACTURING, INCORPORATED

PART #	DESCRIPTION	LIST	PART #	DESCRIPTION	LIST	PART #	DESCRIPTION	LIST
SP8006LP	TIP 80 LOW #6 BR	7.09	SP8360V	1/4 VIT DIA CK VLV	18.81	SP9503EVS	TIP 95 EV #3 BLU VS	7.09
SP8006SS	TIP 80 #6 SS	12.22	SP8364	BACK UP SEAT/8460	5.21	SP9503SS	TIP 95 #3 SS	12.22
SP8006VP	TIP 80 #6 GRY PLY	1.01	SP8365	STOP RING # 8460	5.26	SP9504	TIP 95 #4 BR	4.77
SP8006VS	TIP 80 #6 GRY VS	7.09	SP8366FA	DIAPHRAGM FAIRPRENE	5.46	SP9504E	TIP 95 EV #4 BR	4.85
SP8008	TIP 80 #8 BR	4.77	SP8367	GUIDE SLEEVE - 8460	8.65	SP9504EVS	TIP 95 EV #4 RED VS	7.09
SP8008E	TIP 80 EV #8 BR	4.85	SP8368	ADJ NUT FOR 8460	9.11	SP9504SS	TIP 95 #4 SS	12.22
SP8008ESS	TIP 80 EV #8 SS	12.44	SP8369	NY WASHER F/8460	3.26	SP9505	TIP 95 #5 BR	4.77
SP8008EVS	TP 80 EV #8 WHT VS	7.09	SP8371	SPRING RETAINER	4.66	SP9505E	TIP 95 EV #5 BR	4.85
SP8008SS	TIP 80 #8 SS	12.22	SP8373	SPRING F/8460	10.09	SP9505EVS	TIP 95 EV #5 BRN VS	7.09
SP8008VP	TIP 80 #8 WHT PLY	1.01	SP8374	INSIDE SPRING	8.09	SP9505SS	TIP 95 #5 SS	12.22
SP8008VS	TIP 80 #8 WHT VS	7.09	SP8389	CHAMBER INSERT	7.66	SP9506	TIP 95 #6 BR	4.70
SP8010	TIP 80 #10 BR	4.77	SP8400-250	1/4" HS POLY	1.35	SP9506E	TIP 95 EV #6 BR	4.77
SP8010E	TIP 80 EV #10 BR	4.85	SP8400-406	3/8" HS POLY	1.18	SP9506EVS	TIP 95 EV #6 GRY VS	7.09
SP8010ESS	TIP 80 EV #10 SS	12.44	SP8400-500	1/2" HS POLY	1.18	SP9506SS	TIP 95 #6 SS	12.22
SP8010SS	TIP 80 #10 SS	12.22	SP8424	CAMPLATE FOR 3B	1.00	SP9508	TIP 95 #8 BR	4.77
SP8012-12	COTTER PIN-SS	1.78	SP8426	STEM FOR 3B	4.25	SP9508SS	TIP 95 #8 SS	12.22
SP8015	TIP 80 #15 BR	4.77	SP8427	WASHER-3B	3.10	SP9510	TIP 95 #10 BR	4.77
SP8015E	TIP 80 EV #15 BR	4.85	SP8429-1	PIVOT ROD/3B	3.37	SP9510E	TIP 95 EV #10 BR	4.77
SP8015ESS	TIP 80 EV #15 SS	12.44	SP8432	GASKET BUNA DIRECTO	2.55	SP9510SS	TIP 95 #10 SS	12.22
SP8015HSS	TIP 80 #15 HSS	16.84	SP8460-12	1/2" PRV	72.64	SP9515SS	TIP 95 #15 SS	12.22
SP8015SS	TIP 80 #15 SS	12.22	SP8460-34	3/4" PRV	72.64	SP9539	TRIGGER GUARD	8.41
SP8020	TIP 80 #20 BR	4.77	SP8460RK	REPAIR KIT/8460	26.22	SP9641-INP	STEM NUT 43 GUNJET	6.34
SP8020E	TIP 80 EV #20 BR	4.85	SP8477	SCREW / V-S CLAMP	1.73	SP9758	BR END CAP	5.31
SP8020SS	TIP 80 #20 SS	12.22	SP8515	SNAP RING FOR 3B	1.70	SP9778	BRASS BODY 7421	3.67
SP8025	TIP 80 #25 BR	4.77	SP8591	TRIGGER GUIDE/23L	2.11	SP98488	RETROFIT SEAL HI FLO	7.49
SP8027	TEEJET CAP NYLON	1.02	SP8600	SINGLE SWIVEL NY	9.70	SP98583-11	1" RPD STP - QJ360	9.88
SP8028	TEEJET BDY 1/4" M	1.84	SP8600-2	DOUBLE NY SWIVEL	11.72	SP98583-134	3/4" RPD STP - QJ360	9.88
SP8030	TIP 80 #30 BR	4.77	SP8604-50	STRAINER 1/4 FNPS	17.99	SPA12ATWB	1/2" ATWB STR	111.19
SP8030SS	TIP 80 #30 SS	12.22	SP9017	BODY CLAMP - IZP	8.61	SPA34ATWB	3/4" ATWB BR STR	111.19
SP8040	TIP 80 #40 BR	4.77	SP9191	BR BODY EL 1/2"	14.38	SPA110015	TP 110 #1.5 GRN AI	15.18
SP8050	TIP 80 #50 BR	4.77	SP9192	BR BODY TEE 1/2"	14.38	SPA11002	TP 110 #2 YLW AI	15.18
SP8079-100	TIP STR PP/SS 100M	1.36	SP95015	TIP 95 #1.5 BR	4.56	SPA110025	TP 110 #2.5 VLT AI	15.18
SP8079-200	TIP STR PP/SS 200M	1.36	SP95015E	TIP 95 EV #1.5 BR	4.64	SPA11003	TP 110 #3 BLU AI	15.18
SP8079-24	TIP STR PP/SS 24M	1.36	SP95015EVS	TIP 95 EV #1.5 VS	7.09	SPA11004	TP 110 #4 RED AI	15.18
SP8079-50	TIP STR PP/SS 50M	1.36	SP95015SS	TIP 95 #15SS	12.22	SPA11005	TP 110 #5 BRN AI	15.18
SP8079-80	TIP STR PP/SS 80M	1.36	SP9501E	TIP 95 EV #1 BR	4.85	SPA11006	TP 110 #6 GRY AI	15.18
SP8120-406	3/8" TEE BDY-NY	3.57	SP9501EVS	TIP 95 EV #1VS	7.09	SPA11008	TP 110 # 8 WHT AI	15.18
SP8120-540	1/2" TEE BDY-NY	3.57	SP9501SS	TIP 95 #1 SS	12.22	SPA180025VS	AI 80 DEG 2.5 VS	15.18
SP8121-406	3/8" EL BDY-NY	3.57	SP9502	TIP 95 #2 BR	4.77	SPA18003	AI 80 DEG 03	15.18
SP8121-540	1/2" EL BDY-NY	3.57	SP9502E	TIP 95 EV #2 BR	4.85	SPA19502E	TP 95 EV #2 YLW AI	15.53
SP8339	NY BODY-3B	22.34	SP9502EVS	TIP 95 EV #2 YLW VS	7.09	SPA19503E	TP 95 EV #3 BLU AI	15.53
SP8343	NY CONN NPL F/3B	4.59	SP9502SS	TIP 95 #2 SS	12.22	SPA19504E	TP 95 EV #4 RED AI	15.53
SP8355-14	1/4 NY DIA VALVE	11.83	SP9503	TIP 95#3 BR	4.77	SPA19505E	TP 95 EV #5 BRN AI	15.53
SP8355-18	1/8 NY DIA VALVE	11.83	SP9503E	TIP 95 EV #3 BR	4.85	SPA19506E	TP 95 EV #6 GRY AI	15.53



PART #	DESCRIPTION	LIST	PART #	DESCRIPTION	LIST	PART #	DESCRIPTION	LIST
SPAIC110015	AIC 110 #1-5 GRN	16.46	SPD6	ORIFICE DISC #6	1.69	SPFL8VS	FULLJET VISIFLO	13.52
SPAIC11002	AIC 110 #2 YLW	16.46	SPD6CER	CERAMIC DISC	4.68	SPH0015SS	VEEJET NOZZLE SS *	16.32
SPAIC110025	AIC 110 #2-5 VLT	16.46	SPD7	ORIFICE DISC #7	1.69	SPH11005SS	VEEJET NOZZLE #5 SS *	12.42
SPAIC110025K	AIC 110 #2-5 VLT VK	13.40	SPD8	ORIFICE DISC #8	1.69	SPH140508	VEEJET NOZZLE BRASS *	6.37
SPAIC11003	AIC 110 #3 BLU	16.46	SPDC23-CER	HC CORE #23 CER	7.11	SPH140508SS	VEEJET NOZZLE SS *	12.23
SPAIC11004	AIC 110 #4 RED	16.46	SPDC25-CER	HC CORE #25 CER	7.11	SPH140520	VEEJET NOZZLE BRASS *	6.37
SPAIC11005	AIC 110 #5 BRN	16.46	SPDC31-CER	FC CORE #31 CER	7.11	SPH140520S	VEEJET SS *	12.23
SPAIC11006	AIC 110 #6 GRY	16.46	SPDC33-CER	FC CORE #33 CER	7.11	SPH140540	VEEJET NOZZLE BRASS *	6.37
SPAIC11008	AIC 110 #8 WHT	16.46	SPDC33-HSS	FC CORE #33 HSS	7.07	SPH1411015	FLOODJET NOZZLE *	5.45
SPAIC11010	AIC 110 #10 LBLU	16.46	SPDC35-CER	FC CORE #35 CER	7.11	SPH142508S	TEEJET TIP SS *	12.23
SPAITTT02	AI/TWN TRBO 02	9.31	SPDC45-CER	HC CORE #45 CER	7.11	SPH148040S	VEEJET NOZZLE *	12.42
SPAITTT025	AI/TWN TRBO 025	9.31	SPDC46-CER	HC CORE #46 CER	7.11	SPH149506S	VEEJET SS *	12.23
SPAITTT03	AI/TWN TRBO 03	9.31	SPDC56-CER	FC CORE #56 CER	7.11	SPH14SS0070	VEEJET NOZZLE *	16.32
SPAITTT04	AI/TWN TRBO 04	9.31	SPDG110015	DG 110 #1.5 GRN	11.00	SPH14SS2520	VEEJET NOZZLE SS *	12.42
SPAITTT05	AI/TWN TRBO 05	9.31	SPDG11002	DG 110 #2 YLW	11.00	SPH14SS2570	V-JET NOZZLE SS *	12.23
SPAITTT06	AI/TWN TRBO 06	9.31	SPDG11003	DG 110 #3 BLU	11.00	SPH14SS9515	V-JET NOZZLE SS *	12.42
SPAITTT08C	AI/TWN TRBO 08 w/CAP	13.19	SPDG11004	DG 110 #4 RED	11.00	SPH14U-0540HE	VEEJET NOZZLE *	6.37
SPAITTT10C	AI/TWN TRBO 10 w/CAP	13.19	SPDG11005	DG 110 #5 BRN	11.00	SPH14U0010	NOZZLE #10SS *	16.32
SPAITTT15C	AI/TWN TRBO 15 w/CAP	13.19	SPDG80015	DG 80 #1.5 GRN	11.00	SPH14U0015	NOZZLE #15SS *	16.32
SPAIB85025	AI OFF CENTER 85 DEG	19.20	SPDG8002	TIP 80 #2 YLW DG	11.00	SPH14U0020	NOZZLE #20SS *	16.32
SPAIXR110015	AIR INDUCTION XR #1.5	8.26	SPDG8003	TIP 80 #3 BLU DG	11.00	SPH14U0030	NOZZLE #30SS *	16.32
SPAIXR11002	AIR INDUCTION XR #2	8.26	SPDG8004	TIP 80 #4 RED DG	11.00	SPH14U0040	NOZZLE #40SS *	16.32
SPAIXR110025	AIR INDUCTION XR #2.5	8.26	SPDG8005	TIP 80 #5 BRN DG	11.00	SPH14U0050	NOZZLE #50SS *	16.32
SPAIXR11003	AIR INDUCTION XR #3	8.26	SPDG95015E	TP 95 EV#1.5 GN DG	11.00	SPH14U0060	NOZZLE #60SS *	16.32
SPAIXR11004	AIR INDUCTION XR #4	8.26	SPDG9502E	TP 95 EV #2 YLW DG	11.00	SPH14U0508HE	NOZZLE-BOOMJET 10 *	6.37
SPAIXR11005	AIR INDUCTION XR #5	8.26	SPDG9503E	TP 95 EV #3 BLU DG	11.00	SPH14U0520HE	VEEJET NOZZLE 0520HE *	6.37
SPAIXR11006	AIR INDUCTION XR #6	8.26	SPDG9504E	TP 95 EV #4 RED DG	11.00	SPH14U1510	VEEJET NOZZLE BRASS *	6.08
SPAYHSS45	ORIFICE FOR #2	10.85	SPDG9505E	TP 95 EV #5 BRN DG	11.00	SPH14U1515	NOZZLE #1515SS *	12.42
SPD1	ORIFICE DISC #1	1.69	SPDGTJ11002	DG TWINJET 02	16.86	SPH14U2515	NOZZLE #2515SS *	12.42
SPD1-5	ORIFICE DISC #1.5	1.69	SPDGTJ11004	DG TWINJET 04	16.86	SPH14U2570	VEEJET NOZZLE SS *	12.23
SPD10	ORIFICE DISC #10	1.69	SPDGTJ11006	DG TWINJET 06	16.86	SPH14U5010	VEEJET NOZZLE *	12.42
SPD12	ORIFICE DISC #12	1.69	SPDGTJ11008	DG TWINJET 08	16.86	SPH14U6510	VEEJET NOZZLE *	6.27
SPD14	ORIFICE DISC #14	1.69	SPDX10HSS	NOZZLE LONG RANGE	28.04	SPH14U6520	VEEJET NOZZLE *	5.99
SPD16	ORIFICE DISC #16	1.69	SPDX16HSS	NOZZLE LONG RANGE	28.04	SPH14U8040SS	VEEJET NOZZLE *	12.42
SPD2	ORIFICE DISC #2	1.69	SPDX6HSS	NOZZLE LONG RANGE	28.04	SPH14U9510	VEEJET NOZZLE *	6.08
SPD25143UB	UND. BANDING NOZZLE	32.12	SPDX8HSS	NOZZLE LONG RANGE	28.04	SPH14USS0006	VEEJET-SS 1/4 0006 *	16.32
SPD25468-7	TANK RINSE NOZ	181.19	SPFL10VC	VISIFLO FULL JET CE	8.59	SPH14V9506	VEEJET NOZZLE BRASS *	9.35
SPD2CER	CERAMIC DISC	4.68	SPFL10VS	VISIFLO SS&CE	13.52	SPH14VV-9506	VEEJET W/STR 9506 *	5.90
SPD3	ORIFICE DISC #3	1.69	SPFL15VS	VISIFLO FULLJET SS	13.52	SPH14VV-SS11003	VEEJET NOZZLE *	12.42
SPD3CER	CERAMIC DISC	4.68	SPFL5VC	VISIFLO FULL JET CE	8.59	SPH14VV6502SS	VEEJET NOZZLE	12.42
SPD4	ORIFICE DISC #4	1.69	SPFL5VS	VISIFLO FULLJET	13.52	SPH14VVL11004	VEEJET 11004 BR *	9.35
SPD4CER	CERAMIC DISC	4.68	SPFL6-5VC	FULLJET VISI CELCON	8.59	SPH14VVL9506	VEEJET W/STR 9506 *	9.35
SPD5	ORIFICE DISC #5	1.69	SPFL6-5VS	VISIFLO FULLJET	13.52	SPH14VVSS1506	VEEJET NOZZLE *	12.23
SPD5CER	CERAMIC DISC	4.68	SPFL8VC	FULLJET VISIFLO	8.59	SPH14VVSS2506	VEEJET NOZZLE *	12.42

# SPRAY TECH

MANUFACTURING, INCORPORATED

PART #	DESCRIPTION	LIST	PART #	DESCRIPTION	LIST	PART #	DESCRIPTION	LIST
SPH14VSS4006	VEEJET NOZZLE *	12.42	SPQ18041	1/4" MALE ADAPTER	3.13	SPQ2225250	1/2" TEE DIA CHK	9.38
SPH14VSS6503	VEEJET NOZZLE *	12.42	SPQ18635	3/8" ELBOW BODY	4.58	SPQ2225275	3/4" TEE DIA CHK	9.38
SPH14VSS6506	VEEJET NOZZLE *	12.42	SPQ18636	3/8" TEE BODY	4.58	SPQ25595-3	TWIN POS CAP - RED	0.97
SPH18V8001S	1/8" VEEJET 8001 SS *	11.20	SPQ18637	3/8" CROSS BODY	4.58	SPQ25597-1	TJ CAP - BLK	0.97
SPH18VSS6503	VEEJET NOZZLE *	11.20	SPQ18638	1/2" ELBOW BODY	4.58	SPQ25597-10	TJ CAP - VLT	0.97
SPH18VSS6505	VEEJET NOZZLE *	11.20	SPQ18639	1/2" TEE BODY	4.58	SPQ25597-2	TJ CAP - WHT	0.97
SPH18VSS9502	VEEJET NOZZLE *	11.20	SPQ18640	1/2" CROSS BODY	4.58	SPQ25597-3	TJ CAP - RED	0.97
SPH18VSS9503	VEEJET NOZZLE *	11.20	SPQ18642	SGL HSE CON-3/8"	4.31	SPQ25597-4	TJ CAP - BLU	0.97
SPMEG1506	1/4 MEG TIP *	8.43	SPQ18643	DBL HSE CON-3/8"	4.31	SPQ25597-5	TJ CAP - GRN	0.97
SPMEG5020	1/4 MEG TIP *	8.43	SPQ18644	TRP HSE CON-3/8"	4.31	SPQ25597-6	TJ CAP - YLW	0.97
SPOC01	OFFCTR TIP #1 BR	12.69	SPQ18645	SGL HSE CON-1/2"	4.31	SPQ25597-7	TJ CAP - BRN	0.97
SPOC01SS	OFFCTR TIP #1 SS	18.76	SPQ18646	DBL HSE CON-1/2"	4.31	SPQ25597-8	TJ CAP - ORG	0.97
SPOC02	OFFCTR TIP #2 BR	12.69	SPQ18719	3/4" ELBOW BODY	4.58	SPQ25598-3	CAP & GSKT - RED	1.31
SPOC02SS	OFFCTR TIP #2 SS	18.76	SPQ18720	3/4" TEE BODY	4.58	SPQ25599-1	TK CAP - BLK	0.97
SPOC03	OFFCTR TIP #3 BR	12.69	SPQ18721	3/4" CROSS BODY	4.58	SPQ25599-2	TK CAP - WHT	0.97
SPOC03SS	OFFCTR TIP #3 SS	18.76	SPQ18724	3/4" HOSE SHANK-EL	4.31	SPQ25599-3	TK CAP - RED	0.97
SPOC04	OFFCTR TIP #4 BR	12.69	SPQ1872575	3/4" HOSE SHANK-TEE	4.31	SPQ25599-4	TK CAP - BLU	0.97
SPOC04SS	OFFCTR TIP #4 SS	18.76	SPQ18726	TRP HOSE SHANK CONN	4.31	SPQ25599-5	TK CAP - GRN	0.97
SPOC06	OFFCTR TIP #6 BR	12.69	SPQ18999	EPDM SEAL FOR CORE	1.24	SPQ25599-6	TK CAP - YLW	0.97
SPOC06SS	OFFCTR TIP #6 SS	18.76	SPQ18999V	GASKET QJ DC VITON	7.62	SPQ25599-7	TK CAP - BRN	0.97
SPOC08	OFFCTR TIP #8 BR	12.69	SPQ1934938	3/8" ELBOW CHECK	11.35	SPQ25599-8	TK CAP - ORG	0.97
SPOC08SS	OFFCTR TIP #8 SS	18.76	SPQ1934950	1/2" ELBOW CHECK	11.35	SPQ25607-1	ROUND CAP - BLK	0.97
SPOC10	OFFCTR TIP #10 BR	52.92	SPQ1934975	3/4" ELBOW CHECK	11.35	SPQ25607-2	ROUND CAP - WHT	0.97
SPOC10SS	OFFCTR TIP #10 SS	102.94	SPQ1935038	3/8" TEE CHECK	11.35	SPQ25607-3	ROUND CAP - RED	0.97
SPOC12	OFFCTR TIP #12 BR	12.69	SPQ1935050	1/2" TEE CHECK	11.35	SPQ25607-4	ROUND CAP - BLU	0.97
SPOC150	OFFCTR TIP #150 BR	52.92	SPQ1935075	3/4" TEE CHECK	11.35	SPQ25607-5	ROUND CAP - GRN	0.97
SPOC16	OFFCTR TIP #16 BR	12.69	SPQ1935138	3/8" CROSS CHECK	11.35	SPQ25607-6	ROUND CAP - YLW	0.97
SPOC16SS	OFFCTR TIP #16 SS	18.76	SPQ1935150	1/2" CROSS CHECK	11.35	SPQ25607-7	ROUND CAP - BRN	0.97
SPOC20	OFFCTR TIP #20 BR	52.92	SPQ1935175	3/4" CROSS CHECK	11.35	SPQ25607-8	ROUND CAP - ORG	0.97
SPOC20SS	OFFCTR TIP #20 SS	102.94	SPQ19438	QJ GASKET-EPDM	0.57	SPQ25607-9	ROUND CAP - GRY	0.97
SPOC300	OFFCTR TIP #300 BR	52.92	SPQ19438V	QJ GASKET-VITON	2.39	SPQ25609-1	LARGE CAP - BLK	0.97
SPOC300SS	OFFCTR TIP #300 SS	102.94	SPQ19843	CAP SHUTOFF BLACK	2.56	SPQ25609-2	LARGE CAP - WHT	0.97
SPOC40	OFFCTR TIP #40 BR	52.92	SPQ15QVS	1" SQUARE QJ CLMP	3.02	SPQ25609-3	LARGE CAP - RED	0.97
SPOC40SS	OFFCTR TIP #40 SS	102.94	SPQ1V-5	1" ROUND QJ CLAMP	3.02	SPQ25609-4	LARGE CAP - BLU	0.97
SPOC80	OFFCTR TIP #80 BR	52.92	SPQ20266	GASKET EPDM	2.09	SPQ25609-5	LARGE CAP - GRN	0.97
SPQ112SQVS	1 1/2" SQ QJ CLAMP	3.02	SPQ2135315	DROP QJ NYLON 15"	13.58	SPQ25609-6	LARGE CAP - YLW	0.97
SPQ114501-1	LRG CAP TTI/TBJ BLK	1.58	SPQ2135324	DROP QJ NYLON 24"	13.58	SPQ25609-7	LARGE CAP - BRN	0.97
SPQ114SQVS	1 1/4" SQ QJ CLAMP	3.02	SPQ22187-1	1" SPLIT EYE-QUICK	11.59	SPQ25609-8	LARGE CAP - ORG	0.97
SPQ114V-S	1 1/4" RND QJ CLAMP	3.02	SPQ22187-12	1/2" SPLIT EYE-QUICK	11.59	SPQ25611-1	SMALL CAP - BLK	0.84
SPQ12V-S	1/2" RND QJ CLAMP	3.02	SPQ22187-34	3/4" SPLIT EYE-QUICK	11.59	SPQ25611-10	SMALL CAP - VLT	0.97
SPQ14T-NYB	1/4" QJ FEMALE BDY	3.13	SPQ2225138	3/8" EL DIA CHECK	9.38	SPQ25611-2	SMALL CAP - WHT	0.84
SPQ17560-1	EYELET QJ 1 + CK	4.97	SPQ2225150	1/2" EL DIA CHECK	9.38	SPQ25611-3	SMALL CAP - RED	0.84
SPQ1756012	EYELET QJ 1/2+CK	4.97	SPQ2225175	3/4" EL DIA CHECK	9.38	SPQ25611-4	SMALL CAP - BLU	0.84
SPQ1756034	EYELET QJ 3/4+CK	4.97	SPQ2225238	3/8" TEE DIA CHK	9.38	SPQ25611-5	SMALL CAP - GRN	0.84



PART #	DESCRIPTION	LIST	PART #	DESCRIPTION	LIST	PART #	DESCRIPTION	LIST
SPQ25611-6	SMALL CAP - YLW	0.84	SPQ39685-2	QJ TEE 1/2"	7.68	SPQJT38622	QJT 8360-#2 CAP	6.21
SPQ25611-7	SMALL CAP - BRN	0.84	SPQ39685-L	QJ BDY w/NUT-LEFT EL	7.68	SPQJT8360	F NOZZLEXQJ+CHECK	6.21
SPQ25611-8	SMALL CAP - ORG	0.84	SPQ39685-R	QJ BDY w/NUT-RIGHT EL	7.68	SPSJ3-02	3 HOLE STREAMJET YLW	10.16
SPQ25611-9	SMALL CAP - GRV	0.84	SPQ4676-14	1/4" FPTx QJ ADPTR	2.67	SPSJ3-03	3 HOLE STREAMJET BLU	10.16
SPQ26277-1	QUICK CAP-CER D/C	0.97	SPQ4676-18	1/8" FPTx QJ ADAPTER	2.67	SPSJ3-04	3 HOLE STREAMJET RED	10.16
SPQ345QVS	3/4" SQUARE QJ CLAMP	3.02	SPQ4676-45	FPT x QJ ADPT-45	5.08	SPSJ3-05	3 HOLE STREAMJET BRN	10.16
SPQ34V-S	3/4" ROUND QJ CLAMP	3.02	SPQ4676-90	ADAPTER 90 DEG	5.08	SPSJ3-06	3 HOLE STREAMJET GRV	10.16
SPQ3631100	1" L 3 MULTI CV	22.18	SPQ50854	QUICK JET EXTENSION	4.42	SPSJ3-08	3 HOLE STREAMJET WHT	10.16
SPQ363112	1/2" L 3 MULTI CV	22.18	SPQ7421-1	EYELET QJ 1" NY	4.60	SPSJ3-10	3 HOLE STREAMJET LBLU	10.16
SPQ36312WB	1/2" WET 3 MULTI CV	17.75	SPQ7421-12	1/2" FPTx QJ ADPTR	4.60	SPSJ3-15	3 HOLE STREAMJET LGRN	10.16
SPQ363134	3/4" L 3 MULTI CV	22.18	SPQ7421-34	EYELET QJ 3/4" NY	4.60	SPSJ7-015	7 HOLE STREAMJET GRN	12.93
SPQ3631WB	1" WET 3 MULTI CV	17.75	SPQ8355-14	1/4" QJ DIA NZL BDY	11.49	SPSJ7-03	7 HOLE STREAMJET BLUE	12.93
SPQ3632100	1" T 3 MULTI CV	22.18	SPQ8355-18	1/8" QJ DIA NZL BDY	11.49	SPSJ7-04	7 HOLE STREAMJET RED	12.93
SPQ363212	1/2" T 3 MULTI CV	22.18	SPQ8360	1/4" MPT CK VALVE	5.72	SPSJ7-05	7 HOLE STREAMJET BRN	12.93
SPQ363234	3/4" T 3 MULTI CV	22.18	SPQ8600	1/4" SINGLE SWIVEL	8.36	SPSJ7-06	7 HOLE STREAMJET GRV	12.93
SPQ36334WB	3/4" WET 3 MULTI	17.75	SPQ8600-2	1/4" DOUBLE SWIVEL	10.07	SPSJ7-08	7 HOLE STREAMJET WHT	12.93
SPQ363F-1WB	FERT 1" WB	22.16	SPQ98579-1	CAP/GSKT SET	2.22	SPSJ7-10	7 HOLE STREAMJET LBLU	12.93
SPQ363F1100	NZL BDY W/F OTLT 1" EL	26.56	SPQ98586	3/8" PI CAP	6.43	SPSJ7-15	7 HOLE STREAMJET LGRN	12.93
SPQ363F2100	NZL BDY W/F OTLT 1" TEE	26.56	SPQ98588	1/4" PI CAP	6.43	SPT2W	CONEJET TIP	8.32
SPQ364112	1/2" L 4 MULTI CV	22.18	SPQ98590-10	3/8" PI QJ BDY 10#	13.36	SPTBJ11001	TURBO #1 ORG	7.48
SPQ36412WB	364 1/2" WB MULTI	17.75	SPQ98592-10	1/4" PI QJ BDY 10#	13.36	SPTBJ110015	TURBO #1.5 GRN	7.48
SPQ364134	3/4" L 4 MULTI CV	22.18	SPQ98592-2	1/4" PI QJ BDY 2#	13.36	SPTBJ11002	TURBO #2 YLW	7.48
SPQ3641WB	1" WET 4 MULTI CV	17.75	SPQ98598	1/4" PI ELB CAP	8.04	SPTBJ110025	TURBO #2.5 VLT	7.48
SPQ364212	1/2" T 4 MULTI CV	22.18	SPQ98599	3/8" PI ELB CAP	8.04	SPTBJ11003	TURBO #3 BLU	7.48
SPQ364234	3/4" T 4 MULTI CV	22.18	SPQCK150	QCK TIP 150 SS	92.28	SPTBJ11004	TURBO #4 RED	7.48
SPQ36434WB	3/4" WET 4 MULTI	17.75	SPQCK210	QCK TIP 210 SS	92.28	SPTBJ11005	TURBO #5 BRN	7.48
SPQ364F-1-WB	4-WY NZL w/FRT 1" WB	26.56	SPQCK30	QCK TIP 30 SS	42.79	SPTBJ11006	TURBO #6 GRV	7.48
SPQ3651100	1" L 5 MULTI CV	22.18	SPQCT	CAM LCK x CAP THD APDT	23.84	SPTBJ11008	TURBO #8 WHT	7.48
SPQ365112	1/2" L 5 MULTI CV	22.18	SPQCTF-15	QC TURBO FLOOD	39.79	SPTBJ11010	TURBO #10	8.98
SPQ365134	3/4" L 5 MULTI CV	22.18	SPQCTF-20	QC TURBO FLOOD-WHITE	39.79	SPTBJ11010C	TURBO #10 w/CAP	11.07
SPQ3651WB	1" WET 5 MULTI CV	17.75	SPQCTF-30	QC TURBO FLOOD	39.79	SPTBJ11012	TURBO #12	8.98
SPQ3652100	1" T 5 MULTI CV	22.18	SPQCTF-40	QC TURBO FLOOD - RED	39.79	SPTBJ11012C	TURBO #12 w/CAP	11.07
SPQ365212	1/2" T 5 MULTI CV	22.18	SPQCTF-80	QC TURBO FLOOD - BLACK	39.79	SPTF-VP10	POLYMER FLOOD BLK	3.40
SPQ365234	3/4" T 5 MULTI CV	22.18	SPQHP-34	3/4" HP CLAMP	11.69	SPTF-VP2	POLYMER FLOOD RED	3.40
SPQ36534WB	365 3/4" WET BOOM	17.75	SPQJ90-1	ADAPTER	5.08	SPTF-VP2-5	POLYMER FLOOD BRN	3.40
SPQ365F-1-WB	365 NZL BDY w/FRT 1" WB	22.16	SPQJ90-2	ADAPTER	5.08	SPTF-VP3	POLYMER FLOOD GRV	3.40
SPQ365F1100	365 NZL BDY w/F OUT 1" EL	26.56	SPQJ902X015	TEEJET DUO 1.5	22.24	SPTF-VP4	POLYMER FLOOD WHT	3.40
SPQ365F2100	365 NZL BDY w/F OUT 1" TEE	26.56	SPQJ902X02	TEEJET DUO 2	22.24	SPTF-VP5	POLYMER FLOOD L BLU	3.40
SPQ3731WB	1" WET 3 MULTI CV	15.97	SPQJ902X025	TEEJET DUO 2.5	22.24	SPTF-VP7-5	POLYMER FLOOD L GRN	3.40
SPQ37334WB	3/4" WET 3 MULTI CV	15.97	SPQJ902X03	TEEJET DUO 3	22.24	SPTFVS10	TURBO FLOODJET BLK	15.02
SPQ3751WB	1" WET 5 MULTI CV	15.97	SPQJ902X04	TEEJET DUO 4	22.24	SPTFVS2	TURBO FLOODJET RED	15.02
SPQ375234	5 WY T MULTI NZL 3/4"	19.96	SPQJHS406	3/8" BARB ADAPTER	9.97	SPTFVS2-5	TURBO FLOODJET BRN	15.02
SPQ37534WB	3/4" WET 5 MULTI CV	15.97	SPQJHS540	1/2" BARB ADAPTER	9.97	SPTFVS3	TURBO FLOODJET GRV	15.02
SPQ38621	QJ 38621-2# CAP	5.72	SPQJT-NYB	F NOZZLE x QJ	5.83	SPTFVS4	TURBO FLOODJET WHT	15.02

# SPRAY TECH

MANUFACTURING, INCORPORATED

PART #	DESCRIPTION	LIST	PART #	DESCRIPTION	LIST	PART #	DESCRIPTION	LIST
SPTFV55	TURBO FLOODJET BLU	15.02	SPTK1	FLOODJET TIP BRASS	7.70	SPTTT11002	TWIN TURBO 11002	8.98
SPTFV57-5	TURBO FLOODJET GRN	15.02	SPTK1-5	FLOODJET TIP BRASS	7.70	SPTTT110025	TWIN TURBO 110025	8.98
SPTFW-12	FLOODJET TIP	11.45	SPTK1-5SS	FLOODJET TIP STN STL	14.01	SPTTT11003	TWIN TURBO 11003	8.98
SPTFW-20	EXT WIDTH FLOOD	11.45	SPTK10	FLOODJET TIP BRASS	7.70	SPTTT11004	TWIN TURBO 11004	8.98
SPTG1	FL CON TIP #1 BR	10.33	SPTK10SS	FLOODJET TIP STN STL	14.01	SPTTT11005	TWIN TURBO 11005	8.98
SPTG2	FL CON TIP #2 BR	10.33	SPTK12SS	FLOODJET TIP STN STL	14.01	SPTTT11006	TWIN TURBO 11006	8.98
SPTG3	FL CON TIP #3 BR	10.33	SPTK15	FLOODJET TIP BRASS	7.70	SPTTT11008	TWIN TURBO 11008	8.98
SPTG4	FL CON TIP #4 BR	10.33	SPTK15SS	FLOODJET TIP STN STL	14.01	SPTTT11010	TWIN TURBO 11010	8.98
SPTG5	FL CON TIP #5 BR	10.33	SPTK18SS	FLOODJET TIP SS	14.01	SPTX1	CONEJET TIP BRASS	6.70
SPTG5SS	FL CON TIP #5 SS	22.80	SPTK15S	FLOODJET TIP STN STL	14.01	SPTX1-5	CONEJET TIP BRASS	6.70
SPTG6	FL CON TIP #6 BR	10.33	SPTK2	FLOODJET TIP BRASS	7.70	SPTX10	CONEJET TIP BRASS	6.70
SPTG8	FL CON TIP #8 BR	10.33	SPTK2-5	FLOODJET TIP BRASS	7.70	SPTX10VK	CONEJET 10 CER	6.78
SPTJ11002V	TWINJET TIP VISIFLO	13.82	SPTK2-5SS	FLOODJET TIP STN STL	14.01	SPTX10VS	CONEJET TIP BLACK	7.49
SPTJ11003V	TWINJET TIP VISIFLO	13.82	SPTK20	FLOODJET TIP BRASS	7.70	SPTX12	CONEJET TIP BRASS	6.70
SPTJ11004	TWINJET TIP BRASS	7.33	SPTK20SS	FLOODJET TIP STN STL	14.01	SPTX12SS	CONEJET TIP STN STL	42.04
SPTJ11004V	TWINJET TIP VISIFLO	13.82	SPTK25S	FLOODJET TIP STN STL	14.01	SPTX12VS	CONEJET TIP BROWN	7.49
SPTJ11006V	TWINJET TIP VISIFLO	13.82	SPTK3	FLOODJET TIP BRASS	7.70	SPTX14	CONEJET TIP BRASS	6.70
SPTJ11008V	TWINJET TIP VISIFLO	13.82	SPTK30	FLOODJET TIP BRASS	7.70	SPTX18	CONEJET TIP BRASS	6.70
SPTJ11010V	TWINJET TIP VISIFLO	13.82	SPTK30SS	FLOODJET TIP STN STL	14.01	SPTX18SS	CONEJET TIP STN STL	42.04
SPTJ4002E	TWINJET TIP EVEN BR	10.00	SPTK35S	FLOODJET TIP STN STL	14.01	SPTX18VK	CONEJET TIP CERAMIC	6.78
SPTJ4002EV5	TWINJET TIP VISIFLO	19.26	SPTK4	FLOODJET TIP BRASS	7.70	SPTX18VS	CONEJET TIP ORANGE	7.49
SPTJ4002VS	TWINJET TIP VISIFLO	13.82	SPTK45S	FLOODJET TIP STN STL	14.01	SPTX1VS	CONEJET TIP	7.49
SPTJ6502VS	TWINJET TIP VISIFLO	13.82	SPTK5	FLOODJET TIP BRASS	7.70	SPTX2	CONEJET TIP BRASS	6.70
SPTJ6503VS	TWINJET TIP VISIFLO	13.82	SPTK5SS	FLOODJET TIP STN STL	14.01	SPTX22	CONEJET TIP BRASS	6.70
SPTJ6504VS	TWINJET TIP VISIFLO	13.82	SPTK7-5	FLOODJET TIP BRASS	7.70	SPTX26	CONEJET TIP BRASS	6.70
SPTJ6506VS	TWINJET TIP VISIFLO	13.82	SPTK7-5SS	FLOODJET TIP STN STL	14.01	SPTX26SS	CONEJET TIP STN STL	42.04
SPTJ6508VS	TWINJET TIP VISIFLO	13.82	SPTKT03	TKT FLOODJET PLY 03	2.89	SPTX26VS	CONEJET TIP LT. BLUE	7.49
SPTJ8002	TWINJET TIP BRASS	7.33	SPTKT05	TKT FLOODJET PLY 05	2.89	SPTX2SS	CONEJET TIP STN STL	42.04
SPTJ8002E	TWINJET TIP BRASS	10.00	SPTKV1-5	TK 1-5 POLY	1.11	SPTX2VS	CONEJET TIP	7.49
SPTJ8002EV5	TWINJET TIP VISIFLO	19.26	SPTKV3	TK 3 POLY	1.11	SPTX3	CONEJET TIP BRASS	6.70
SPTJ8002VS	TWINJET TIP VISIFLO	13.82	SPTKVS10	FLOODJET VISIFLO	13.53	SPTX3SS	CONEJET TIP STN STL	42.04
SPTJ8003	TWINJET TIP BRASS	7.33	SPTKVS2	FLOODJET VISIFLO	13.53	SPTX3VS	CONEJET TIP YELLOW	7.49
SPTJ8003EV	TWINJET TIP VISIFLO	19.26	SPTKVS2-5	FLOODJET VISIFLO	13.53	SPTX4	CONEJET TIP BRASS	6.70
SPTJ8003VS	TWINJET TIP VISIFLO	13.82	SPTKVS3	FLOODJET VISIFLO	13.53	SPTX4VS	CONEJET TIP GREEN	7.49
SPTJ8004EV	TWINJET TIP VISIFLO	19.26	SPTKVS4	FLOODJET VISIFLO	13.53	SPTX5	CONEJET TIP BRASS	6.70
SPTJ8004VS	TWINJET TIP VISIFLO	13.82	SPTKVS5	FLOODJET VISIFLO	13.53	SPTX5SS	CONEJET TIP SS	42.04
SPTJ8005VS	TWINJET TIP VISIFLO	13.82	SPTKVS7-5	FLOODJET VISIFLO	13.53	SPTX6	CONEJET TIP BRASS	6.70
SPTJ8006EV	TWINJET TIP VISIFLO	19.26	SPTTI110015	TT INDUCTION TIP #1.5	12.82	SPTX6SS	CONEJET TIP STN STL	42.04
SPTJ8006VS	TWINJET TIP VISIFLO	13.82	SPTTI11002	TT INDUCTION TIP #2	12.82	SPTX6VS	CONEJET TIP RED	7.49
SPTJ8008VS	TWINJET 8008 VS	13.82	SPTTI110025	TT INDUCTION TIP #2.5	12.82	SPTX8	CONEJET TIP BRASS	6.70
SPTJ8010VS	TWINJET TIP VISIFLO	13.82	SPTTI11003	TT INDUCTION TIP #3	12.82	SPTX8VS	CONEJET TIP GRAY	7.49
SPTK-50SS	FLOODJET TIP STN STL	14.22	SPTTI11004	TT INDUCTION TIP #4	12.82	SPTXA80015V	CERAMIC CONEJET	6.78
SPTK-75	FLOODJET TIP BRASS	7.82	SPTTI11005	TT INDUCTION TIP #5	12.82	SPTXA8003V	CERAMIC CONEJET	6.78
SPTK-75SS	FLOODJET TIP STN STL	14.22	SPTTI11006	TT INDUCTION TIP #6	12.82	SPTXA8004V	CERAMIC CONEJET	6.78



PART #	DESCRIPTION	LIST
SPTX850VK	CERAMIC CONEJET	6.78
SPTXB80005	CERAMIC CONEJET	6.78
SPTXB80015	CERAMIC CONEJET	6.78
SPTXB8002	CONEJET TIP CERAMIC	6.78
SPUB8501	UNDERLEAF BANDING 8501 BR	16.88
SPUB85025S	UNDERLEAF BANDING TIP	32.12
SPVSM12-140	CNTR WASHING NOZ	170.11
SPVSM12-190	CNTR WASHING NOZ	170.11
SPVSM12-28	NY RINSING NOZZLE	46.33
SPXR11001	TP 110 #1 ORG XR	7.94
SPXR110015	TP 110 #1.5 GRN XR	7.94
SPXR110015P	PP 110#1.5 GR XR	3.57
SPXR11002	TP 110 #2 YLW XR	7.94
SPXR110025K	XR 110 DEG 2.5 CER	6.13
SPXR11002P	PP 110 #2 YLW XR	3.57
SPXR11003	TP 110 #3 BLU XR	7.94
SPXR11003K	TP 110 #3 XR CER	6.13
SPXR11003P	PP 110 #3 BLU XR	3.57
SPXR11004	TP 110 #4 RED XR	7.94
SPXR11004K	TP 110# 4 XR CER	6.13
SPXR11004P	PP 110 #4 RED XR	3.57
SPXR11005	TP 110 #5 BRN XR	7.94
SPXR11005H	TP 110 #5 XR HSS	8.77
SPXR11005P	PP 110 #5 XR BRN	3.57
SPXR11005VK	TP 110# 5 XR CER	6.13
SPXR11006	TP 110 #6 GRY XR	7.94
SPXR11006K	TP 110 #6 XR CER	6.13
SPXR11006P	PP 110 #6 GRX GRY	3.57
SPXR11008	TP 110 #8 WHT XR	7.94
SPXR11008H	TP 110 #8 XR HSS	8.77
SPXR11008K	TP 110 #8 XR CER	6.13
SPXR11008P	PP 110 #8 XR WHT	3.57
SPXR11010S	TP 110 #10 XR SS	9.42
SPXR11015S	TP 110 #15 XR SS	9.42
SPXR8001	TIP 80 #1 ORG XR	7.94
SPXR80015	TP 80 #1.5 GRN XR	7.94
SPXR8002	TIP 80 #2 YLW XR	7.94
SPXR8003	TIP 80 #3 BLU XR	7.94
SPXR8003H	TIP 80 #3 XR HSS	9.04
SPXR8003VK	TIP 80 #3 XR CER	6.13
SPXR8004	TIP 80 #4 RED XR	7.94
SPXR8004H	TIP 80 #4 XR HSS	9.04
SPXR8004VK	TIP 80 #4 XR CER	6.13
SPXR8005	TIP 80 #5 BRN XR	7.94

PART #	DESCRIPTION	LIST
SPXR8005H	TIP 80 #5 XR HSS	9.04
SPXR8005VK	TIP 80 #5 XR CER	6.13
SPXR8006	TIP 80 #6 GRY XR	7.94
SPXR8006VK	TIP 80 #6 XR CER	6.13
SPXR8008	TIP 80 #8 WHT XR	7.94
SPXR8008VK	TIP 80 #8 XR CER	6.13
SPXR8010SS	TP 80 # 10 XRSS	9.42
SPXR8015SS	TP 80 # 15 SS	9.42
SPXRC110025K	XRC 110025 CER	7.43
SPXRC11003	XRC 11003 VS	9.11
SPXRC11003K	XRC 11003 CER	7.43
SPXRC11004	XRC 11004 VS	9.11
SPXRC11004K	XRC 11004 CER	7.43
SPXRC11005	XRC 11005 VS	9.11
SPXRC11005K	XRC 11005 CER	7.43
SPXRC11006K	XRC 11006 CER	7.43
SPXRC11008K	XRC 11008 CER	7.43
SPXRC11010	XRC 11010 VP	4.24
SPXRC11015	XRC 11015 VP	4.24
SPXRC11020	XRC 11020 VP	4.24
SPXRC8002	TIP-CAP XR 8002VS	9.11
SPXRC8003	TIP-CAP XR 8003VS	9.11
SPXRC8003K	XRC 8003 CER	7.43
SPXRC8004	TIP-CAP XR 8004VS	9.11
SPXRC8004K	XRC 8004 CER	7.43
SPXRC8005	TIP-CAP XR 8005VS	9.11
SPXRC8006	TIP-CAP XR 8006VS	9.11
SPXRC8008	TIP-CAP XR 8008VK	7.43
SPY9270	TANK MIX EDCTR 3/4"	70.31
STDROPF	FLX DROP FEMALE	15.24
STDROPF24Q	FLX DROP, 24" Q	27.22
STDROPF30Q	FLX DROP, 30" Q	29.76
STDROPF36	FLX DROP, 36"	25.40
STDROPF36Q	FLX DROP, 36" Q	41.92
STDROPF48Q	FLX DROP, 48" Q	44.32
STDROPFQ	FLX DROP, 15" Q	21.11
STDROP36	FLX DRP MALE 36"	22.43
STIH1200BKTL	1200 PL BKT (NO BOX)	19.25
STIH1200BKTS	1200 PL BKT (W/BOX)	19.25
STIH1235KIT	1235 PLANTER KIT (ROW)	59.99
STNS04-1	CBL TIES 4" BLK 100PK	3.44
STNS04-2	CBL TIES 4" IVRY 100PK	3.44
STNS05.85-3	CBL TIES 5.85" RED 100PK	3.85
STNS05.85-4	CBL TIES 5.85" BLU 100PK	3.85

PART #	DESCRIPTION	LIST
STNS05.85-6	CBL TIES 5.85" YLW 100PK	3.85
STNS06-1	CBL TIES 6" BLK 100PK	5.48
STNS06-2	CBL TIES 6" NAT 100PK	4.96
STNS06-3	CBL TIES 6" RED 100PK	6.35
STNS06-4	CBL TIES 6" BLU 100PK	6.35
STNS06-5	CBL TIES 6" GRN 100PK	6.35
STNS06-6	CBL TIES 6" YLW 100PK	6.35
STNS06-8	CBL TIES 6" ORG 100PK	6.35
STNS08-1	CBL TIES 8" BLK 100PK	7.00
STNS08-2	CBL TIES 8" NAT 100PK	7.00
STNS08-3	CBL TIES 8" RED 100PK	7.75
STNS08-4	CBL TIES 8" BLU 100PK	7.75
STNS08-5	CBL TIES 8" GRN 100PK	7.75
STNS08-6	CBL TIES 8" YLW 100PK	7.75
STNS08-8	CBL TIES 8" ORG 100PK	7.75
STNS11-1	CBL TIES 11" BLK 100PK	12.00
STNS11-2	CBL TIES 11" NAT 100PK	11.24
STNS11-21000	CBL TIES 11" NAT 1000PK	95.00
STNS11-3	CBL TIES 11" RED 100PK	13.75
STNS11-4	CBL TIES 11" BLU 100PK	13.75
STNS11-5	CBL TIES 11" GRN 100PK	13.75
STNS11-6	CBL TIES 11" YLW 100PK	13.75
STNS11-8	CBL TIES 11" ORG 100PK	13.75
STNS14-1	CBL TIES 14" BLK 100PK	14.12
STNS14-1W	CBL TS 14" BLK 5/16" W 100PK	34.24
STNS14-2	CBL TIES 14" NAT 100PK	12.56
STNS14-2W	CBL TS 14" NAT 5/16" W 100PK	34.24
STNS14-3	CBL TIES 14" RED 100PK	16.85
STNS14-4	CBL TIES 14" BLU 100PK	16.85
STNS14-5	CBL TIES 14" GRN 100PK	16.85
STNS14-5W	CBL TS 14" GRN 5/16" W 100PK	34.24
STNS14-6	CBL TIES 14" YLW 100PK	16.85
STNS14-8	CBL TIES 14" ORG 100PK	16.85
STNS17-1W-100	CBL TIES 17" BLK 100PK	39.35
STNS17-2W	CBL TS 17" NAT 1/2" W 50PK	26.00
STNS18-1	CBL TIES 18" BLK 100PK	33.32
STNS18-2	CBL TIES 18" NAT 100PK	33.32
STNS21-1	CBL TIES 21" BLK 100PK	41.55
STNS21-2	CBL TIES 21" NAT 50PK	19.85
STNS24-1-100	CBL TIES 24" BLK 100PK	43.20
STNS24-2	CBL TIES 24" NAT 50PK	25.00
STNS24-2-100	CBL TIES 24" NAT 100PK	45.50
STNS36-1-100	CBL TIES 36" BLK 100PK	85.04
STNS3PK6811	CBL TS 3-PK 6/8/11	10.25

# SPRAY TECH

MANUFACTURING, INCORPORATED

PART #	DESCRIPTION	LIST	PART #	DESCRIPTION	LIST	PART #	DESCRIPTION	LIST
STNS3PK81114	CBL TS 3-PK 8/11/14	10.25	TC221	3/4" MPT x 3/8" HB STL	8.26	TC261B	3/8" SWIVEL HB BR	3.66
STNS48-1	CBL TIES 48" BLK 100PK	99.32	TC221B	3/4" MPT x 3/8" HB BR	4.21	TC263	1/2" SWIVEL HB-STL	6.19
STNS48-2-50	CBL TIES 48" IVRY 50PK	57.95	TC223	3/4" MPT x 1/2" HB STL	7.32	TC263B	1/2" SWIVEL HB BR	2.09
STNSB200	TENSION MULT TOOL 3/16 TIES	77.00	TC223B	3/4" M x 1/2" HB BR	4.01	TC264B	5/8" SWIVEL HB BR	2.82
STNSFAC	FLAT AD CLIPS IVRY 450PK	69.25	TC224	3/4" MPT x 5/8" HB STL	7.32	TC265B	3/4" SWIVEL HB BR	3.55
STNSMP1-1	1 X 1 AD MT PAD BLK 50PK	24.50	TC224B	3/4" MPT x 5/8" HB BR	3.98	TC266	3/8" MPT SWWL STL	2.01
STNSMP1-2	1 X 1 AD MT PAD IVRY 50PK	24.50	TC225	3/4" MPT x 3/4" HB STL	6.18	TC267	1/2" MPT SWWL STL	2.01
STNSMP1.5-1	1.5 AD MT PD BLK 50PK	46.00	TC225B	3/4" MPT x 3/4" HB BR	4.59	TC270B	FGHT NUT BRASS	5.16
STNSMP1.5-2	1.5 AD MT PD IVRY 50PK	46.00	TC225K	3/4" KING NIPPLE	5.41	TC273B	MGHT x 1/2" MPT BR	4.64
STNSMP1.52100	1.5 AD MT PD IVRY 100PK	82.00	TC225SS	3/4" MPT x 3/4" HB SS	13.52	TC275B	MGHT x 3/4" MPT BR	5.11
STNSMP11100	1 X 1 AD MT PAD BLK 100PK	47.00	TC227	3/4" MPT x 1" HB STL	13.47	TC28651	1/2 PT RECTORSEAL-21	31.77
STNSMP11500	1 X 1 AD MT PAD BLK 500PK	220.00	TC227B	3/4" MPT x 1" HB BR	4.94	TC2880	BOOM CLAMP 1" SQ	2.11
STNSMP12100	1 X 1 AD MT PAD IVRY 100PK	46.00	TC227SS	3/4" MPT x 1" HB SS	16.72	TC2882	BOOM CLAMP 1-1/4" SQ	2.11
STNSMP12500	1 X 1 AD MT PAD IVRY 500PK	204.00	TC230	1/2" MPT x 1/4" HB STL	5.35	TC295	3/4" SWIVEL HB STL	10.07
STNSRT4	TNS MULT TL HVY DTY	94.00	TC230B	1/2" MPT x 1/4" HB BR	3.17	TC300	3" KING NIPPLE	11.45
STNSTAPINS	TAP-INS TIES UP TO 3/16 100PK	23.50	TC231	1/2" MPT x 3/8" HB STL	5.35	TC300SS	3" MPT x 3" HB SS	75.95
STNSTWIN1114	CBL TIES TWIN PK 11/14	11.00	TC231B	1/2" MPT x 3/8" HB BR	3.06	TC385	3/4" FPT NUT STL	7.77
STNSTWIN68	CBL TIES TWIN PK 6/8	6.00	TC233	1/2" MPT x 1/2" HB STL	5.30	TC387	1" FPT NUT STL	6.89
STNSTWIN811	CBL TIES TWIN PK 8/11	9.00	TC233B	1/2" MPT x 1/2" HB BR	2.54	TC3942	NOZZLE BLANK	0.36
STPLK1200WB	PLNTR KT 1200 WB	667.57	TC233K	1/2" KING NIPPLE	2.97	TC400	4" KING NIPPLE	19.08
STPLK1200WOB	PLNTR KT 1200 WOB	576.01	TC234	1/2" MPT x 5/8" HB STL	6.55	TC472	1/4" FPT x 1/4" HB BR	2.57
STSPARGE	SPARGE KIT	101.25	TC234B	1/2" MPT x 5/8" HB BR	2.90	TC473	1/4" FPT x 3/8" HB BR	4.77
STSPOT2543	25 G SPOT SPRYR w/43	486.21	TC235	1/2" MPT x 3/4" HB STL	5.35	TC475	3/8" FPT x 3/8" HB BR	2.66
STSPOT5043	50 G SPOT SPRYR w/43	521.16	TC235B	1/2" MPT x 3/4" HB BR	3.26	TC480	1/2" FPT x 1/2" HB BR	3.47
TAPE260	TEFLON TAPE 1/2"	1.00	TC240	3/8" MPT x 1/4" HB STL	3.19	TC5609	LOCKNUT - NYLON	0.20
TC1V-S	BOOM CLAMP 1" RND	2.92	TC240B	3/8" MPT x 1/4" HB BR	1.88	TC8027	NYLON NOZZLE CAP	0.40
TC201	MGHT x 3/8" HB	4.40	TC241	3/8" MPT x 3/8" HB STL	4.35	TC8120-406	3/8" TEE BODY-NYLON	1.23
TC201B	MGHT x 3/8" HB BR	6.53	TC241B	3/8" MPT x 3/8" HB BR	1.70	TC8120-540	1/2" TEE BODY-NYLON	1.23
TC203B	MGHT x 1/2" HB BR	5.70	TC243	3/8" MPT x 1/2" HB STL	3.77	TC8120-580	5/8" TEE BODY-NYLON	1.92
TC204	MGHT x 5/8" HB-STL	8.19	TC243B	3/8" MPT x 1/2" HB BR	1.89	TC8120-750	3/4" TEE BODY-NYLON	1.61
TC204B	MGHT x 5/8" HB BR	5.92	TC250	1/4" MPT x 1/4" HB STL	4.21	TC8121-406	3/8" ELBOW BODY-NY	1.10
TC205B	MGHT x 3/4" HB BR	6.12	TC250B	1/4" MPT x 1/4" HB BR	1.18	TC8121-540	1/2" ELBOW BODY-NY	1.10
TC214B	1" x 3/4" HB BR	4.94	TC251	1/4" MPT x 3/8" HB STL	3.19	TC8121-580	5/8" ELBOW BODY-NY	1.39
TC215	1" MPT x 1" HB STL	23.67	TC251B	1/4" MPT x 3/8" HB BR	1.18	TC8121-750	3/4" ELBOW BODY-NY	1.51
TC215B	1" MPT x 1" HB BR	8.47	TC252B	1/4" MPT x 5/16" HB BR	1.41	TCA1010P	1" MPT x 1" HB POLY	0.80
TC215K	1" KING NIPPLE	6.75	TC253	1/4" MPT x 1/2" HB STL	3.19	TCA1034P	1" MPT x 3/4" HB POLY	0.81
TC215SS	1" MPT x 1" HB SS	17.23	TC253B	1/4" MPT x 1/2" HB BR	1.64	TCA1114P	1" MPT x 1-1/4" HB POLY	1.17
TC217B	1" MPT x 1-1/4" HB BR	12.39	TC254B	1/4" MPT x 1/8" HB BR	1.29	TCA112114P	1-1/2" M x 1-1/4" HB POLY	1.40
TC218	1-1/4" KING NIPPLE	7.98	TC255	1/8" MPT x 1/4" HB STL	4.65	TCA112P	1-1/2" M x 1-1/2" POLY	1.48
TC218SS	1-1/4" MPT x 1-1/4" HB SS	29.41	TC255B	1/8" MPT x 1/4" HB BR	1.09	TCA114112P	1-1/4" M x 1-1/2" HB POLY	1.48
TC219	1-1/2" KING NIPPLE	9.12	TC256	1/8" MPT x 3/8" HB STL	4.65	TCA1141P	1-1/4" M x 1" HB POLY	1.20
TC219SS	1-1/2" MPT x 1-1/2" HB SS	32.06	TC256B	1/8" MPT x 3/8" HB BR	1.28	TCA11434	1-1/4" MPT x 3/4" HB NY	1.22
TC220	2" KING NIPPLE	12.99	TC260B	1/4" SWIVEL HB BR	2.15	TCA11434P	1-1/4" MPT x 3/4" HB POLY	1.22
TC220SS	2" KING NIPPLE SS	44.52	TC261	3/8" SWIVEL HB STL	3.66	TCA114P	1-1/4" M x 1-1/4" HB POLY	1.34



PART #	DESCRIPTION	LIST	PART #	DESCRIPTION	LIST	PART #	DESCRIPTION	LIST
TCA1210P	1/2" MPT x 1" HB	1.20	TCC3400	3/4" SWVL BRB	0.42	TCEL3412FP	3/4" FPT x 1/2" HB EL	1.98
TCA1212P	1/2" MPT x 1/2" HB POLY	0.49	TCC3800	3/8" SWVL BRB	0.43	TCEL3412P	3/4" MPT x 1/2" HB EL	0.95
TCA1212SS	1/2" MPT x 1/2" HB SS	11.92	TCC5800P	5/8" SWVL BRB	0.49	TCEL3434FP	3/4" FPT x 3/4" HB EL	3.08
TCA1214P	1/2" MPT x 1/4" HB POLY	0.49	TCCPV007	3/8" SNGL SHNK x 1/4" F	4.39	TCEL3434P	3/4" MPT x 3/4" HB EL	1.01
TCA1234P	1/2" MPT x 3/4" HB POLY	0.52	TCCPV009	3/8" SNGL SHNK x QJ	8.08	TCEL3438P	3/4" MPT x 3/8" HB EL	0.95
TCA1238P	1/2" MPT x 3/8" HB POLY	0.52	TCCUP018P	1/8" COUPLING	2.56	TCEL3458P	3/4" MPT x 5/8" HB EL	0.99
TCA1258P	1/2" MPT x 5/8" HB POLY	0.52	TCCUP025P	1/4" COUPLING PP	2.56	TCEL3812P	3/8" MPT x 1/2" HB EL	0.73
TCA1412P	1/4" MPT x 1/2" HB POLY	0.48	TCCUP038P	3/8" COUPLING PP	2.56	TCEL3814P	3/8" MPT x 1/4" HB EL	0.70
TCA1412SS	1/4" MPT x 1/2" HB-SS	11.59	TCCUP050P	1/2" COUPLING PP	2.09	TCEL3838P	3/8" MPT x 3/8" HB EL	0.79
TCA1414P	1/4" MPT x HB POLY	0.47	TCCUP075P	3/4" COUPLING PP	2.23	TCEL3858	3/8" MPT x 5/8" HB EL	0.85
TCA1414SS	1/4" MPT x 1/4" HB-SS	6.38	TCCUP100P	1" COUPLING PP	2.54	TCF1000P	1" PLUG - PP	0.70
TCA1438P	1/4" MPT x 3/8" HB POLY	0.46	TCCUP125P	1 1/4" COUPLING PP	2.67	TCF112P	1 1/2" PLUG - PP	1.20
TCA1438SS	1/4" M x 3/8" HB - SS	7.51	TCCUP150P	1 1/2" COUPLING PP	3.27	TCF114P	1 1/4" PLUG - PP	1.06
TCA14516	1/4" MPT x 5/16" HB	0.36	TCCUP200P	2" COUPLING PP	3.57	TCF1200P	1/2" PLUG - PP	0.50
TCA1814P	1/8" MPT x 1/4" HB POLY	0.48	TCD3410	MGHT x 1" HB NY	1.52	TCF1400P	1/4" PLUG - PP	0.46
TCA18316	1/8" MPT x 3/16" HB PP	0.42	TCD3412P	MGHT x 1/2" HB PP	0.60	TCF1800P	1/8" PLUG - PP	0.43
TCA1838P	1/8" MPT x 3/8" HB PP	0.48	TCD3434	MGHT x 3/4" HB	0.56	TCF200P	2" PLUG - PP	1.56
TCA200112P	2" M x 1-1/2" HB POLY	4.61	TCD3438P	MGHT x 3/8" HB POLY	0.59	TCF3400P	3/4" PLUG - PP	0.53
TCA200P	2" MPT x 2" HB POLY	2.73	TCD3458P	MGHT x 5/8" HB PP	0.56	TCF3800P	3/8" PLUG - PP	0.48
TCA3410P	3/4" MPT x 1" HB POLY	0.71	TCD3812P	NZL BDY x 1/2" HB PP	0.99	TCG3412	MGHT x 1/2" FPT PP	1.74
TCA3412P	3/4" MPT x 1/2" HB POLY	0.60	TCD3838P	NZL BDY x 3/8" HB PP	0.99	TCG3434	MGHT x 3/4" FPT PP	1.74
TCA3414P	3/4" MPT x 1/4" HB POLY	0.56	TCE3412P	MGHT x 1/2" MPT PP	0.61	TCGHF12	FGHT x 1/2" MPT BR PL	3.24
TCA3434P	3/4" MPT x 3/4" HB POLY	0.60	TCE3434P	MGHT x 3/4" MPT PP	0.65	TCGHF12F	FGHT x 1/2" FPT BR PL	4.01
TCA3438P	3/4" MPT x 3/8" HB POLY	0.59	TCE3438	MGHT x 3/8" MPT PP	0.65	TCGHF12FS	FGHT x 1/2" F SWVL	4.31
TCA3458P	3/4" MPT x 5/8" HB POLY	0.59	TCEL1010P	1" MPT x 1" HB EL PP	2.16	TCGHF34F	FGH x 3/4" FPT BR PL	4.64
TCA3812P	3/8" MPT x 1/2" HB POLY	0.50	TCEL1012P	1" MPT x 1/2" HB EL	1.56	TCGHF34FS	FGHT x 3/4" FPT SWV	4.64
TCA3814P	3/8" MPT x 1/4" HB POLY	0.48	TCEL1034P	1" MPT x 3/4" HB EL	1.69	TCGHFGHF	FGHT x FGHT BR PL	4.36
TCA3838P	3/8" MPT x 3/8" HB POLY	0.48	TCEL112P	1 1/2" MPT x 1 1/2" HB EL	4.87	TCGHM34F	MGHT x 3/4" FPT BR PL	4.07
TCA3838SS	3/8" MPT x 3/8" HB SS	9.58	TCEL114112P	1 1/4" MPT x 1 1/2" HB EL	5.74	TCH3434	FGHT x 3/4" MPT	1.74
TCAF1238P	1/2" FPT x 3/8" HB	1.92	TCEL1141P	1 1/4" MPT x 1" HB EL	3.74	TCHBEL100	1" HB ELBOW	2.28
TCAF1414	1/4" F x 1/4" HB NY	1.79	TCEL114P	1 1/4" MPT x 1 1/4" HB EL	2.60	TCHBEL112P	1 1/2" HB EL PP	4.45
TCAF1438B	1/4" F x 3/8" BR	2.10	TCEL1212P	1/2" MPT x 1/2" HB EL	0.78	TCHBEL114P	1 1/4" HB EL PP	4.70
TCAF1438P	1/4" F x 3/8" HB-PP	1.85	TCEL1214P	1/2" MPT x 1/4" HB EL	0.79	TCHBEL1214P	1/2" HB x 1/4" HB EL	0.80
TCAF3438P	3/4" F x 3/8" HB PP	2.23	TCEL1234P	1/2" MPT x 3/4" HB EL	0.84	TCHBEL1238P	1/2" HB x 3/8" HB EL	0.85
TCAF3814P	3/8" FPT x 14" HB	1.20	TCEL1238P	1/2" MPT x 3/8" HB EL	0.77	TCHBEL12P	1/2" HB EL PP	0.69
TCAF3838P	3/8" F x 3/8" HB PP	1.85	TCEL1258P	1/2" MPT x 5/8" HB EL	0.81	TCHBEL14	1/4" HB EL PP	0.66
TCB1000	1" SWVL NUT-NY	2.94	TCEL1412P	1/4" MPT x 1/2" HB EL	0.73	TCHBEL200P	2" HB EL PP	5.78
TCB3400	FGHT SWIVEL NUT-NY	0.48	TCEL1414P	1/4" MPT x 1/4" HB EL	0.65	TCHBEL34P	3/4" HB EL PP	0.87
TCB3412	NUT FGHT x 1/2" HOLE	0.81	TCEL1438FP	1/4" F x 3/8" HB EL PP	1.98	TCHBEL3814	3/8" HB x 1/4" HB EL	1.01
TCB3500	3/4" FPT SWVL NUT-NY	0.62	TCEL1438P	1/4" MPT x 3/8" HB EL	0.68	TCHBEL38P	3/8" HB EL PP	0.69
TCBLP100	1" BOLTED TANK FIT	24.38	TCEL1814P	1/8" MPT x 1/4" HB EL	0.69	TCHBEL58P	5/8" HB EL PP	0.69
TCC1000	1" SWIVEL BARB-NY	0.88	TCEL1838F	1/8" FPT x 3/8" HB EL	1.98	TCHM100B	1" HOSE MNDR BR	10.82
TCC1200	1/2" SWVL BRB-NY	0.44	TCEL200P	2" MPT x 2" HB EL	5.14	TCHM100P	1" HOSE MNDR PP	0.79
TCC1400P	1/4" SWVL BRB	0.40	TCEL3410P	3/4" MPT x 1" HB EL	1.65	TCHM100S	1" HOSE MNDR STL	2.65

# SPRAY TECH

MANUFACTURING, INCORPORATED

PART #	DESCRIPTION	LIST	PART #	DESCRIPTION	LIST	PART #	DESCRIPTION	LIST
TCHM112P	1 1/2" HOSE MNDR PP	2.01	TCNEL038P	3/8" FPT EL - PP	4.47	TCT112P	1 1/2" HB TEE-POLY	3.08
TCHM114P	1 1/4" HOSE MNDR PP	1.28	TCNEL050P	1/2" FPT EL - PP	2.71	TCT114P	1 1/4" HB TEE-POLY	3.13
TCHM1238P	1/2" x 3/8" HOSE MNDR PP	0.53	TCNEL075P	3/4" FPT EL - PP	3.31	TCT1234	3/4" x 1/2" x 3/4" HB T	1.05
TCHM1258	1/2" x 5/8" HSE MND NY	0.56	TCNEL100P	1" FPT EL - PP	4.60	TCT1238	3/8" x 1/2" x 3/8" HB T	0.77
TCHM1258P	1/2" x 5/8" HSE MND PP	0.56	TCNEL125P	1 1/4" FPT EL - PP	6.34	TCT1238T	3/8" H x 1/2" M x 3/8" H TEE	0.81
TCHM125S	1 1/4" HOSE MNDR STL	3.39	TCNEL150P	1 1/2" FPT EL - PP	8.06	TCT12CN	NZL BDY x 1/2" CROSS	2.54
TCHM12B	1/2" HOSE MNDR BR	4.51	TCNEL200P	2" FPT EL - PP	12.74	TCT12P	1/2" HB TEE - PP	0.77
TCHM12P	1/2" HOSE MNDR PP	0.48	TCNT3414P	3/4" x 1/4" GAUGE T	9.86	TCT12T	1/2" HB x 1/2" M x 1/2" HB TEE	0.87
TCHM1438P	1/4" x 3/8" HOSE MNDR	0.44	TCPL10046	3/8 MPY C 1/4 OD	4.29	TCT1412P	1/2" x 1/4" x 1/2" HB TEE	0.70
TCHM14B	1/4" HOSE MNDR BR	2.05	TCQ1212P	1/2" F x 1/2" HB PP	1.98	TCT1412T	1/2" x 1/4" M x 1/2" TEE	0.80
TCHM14P	1/4" HOSE MNDR PP	0.46	TCRB1012P	1" x 1/2" BSHNG PP	1.45	TCT1438	3/8" x 1/4" x 3/8" HB TEE	0.85
TCHM150S	1 1/2" HOSE MNDR STL	4.16	TCRB1034P	1" x 3/4" BSHNG PP	1.39	TCT1438T	3/8" x 1/4" M x 3/8" HB TEE	0.76
TCHM18N	1/8" HOSE MNDR NY	0.44	TCRB112114P	1 1/2" x 1 1/4" BSHNG	2.65	TCT14M	1/4" x 1/4" M x 1/4" HB TEE	0.79
TCHM200P	2" HOSE MNDR PP	6.06	TCRB1121P	1 1/2" x 1" BSHNG PP	2.43	TCT14P	1/4" HB TEE PP	0.85
TCHM200S	2" HOSE MNDR STL	5.22	TCRB11234P	1 1/2" x 3/4" BSHNG PP	2.84	TCT18	1/8" HB TEE	0.85
TCHM200SS	2" HOSE MNDR SS	153.31	TCRB1141P	1 1/4" x 1" BSHNG PP	1.84	TCT200P	2" HB TEE-POLY	10.22
TCHM250S	2" HOSE MNDR STL	38.84	TCRB11434P	1 1/4" x 3/4" BSHNG PP	2.16	TCT3412P	1/2" x 3/4" x 1/2" HB T	2.23
TCHM300	3" HOSE MNDR STL	13.10	TCRB1214P	1/2" x 1/4" BSHNG PP	1.04	TCT34CN	NZL BDY x 3/4" CROSS	2.49
TCHM316	3/16" HOSE MNDR NY	0.40	TCRB1218P	1/2" x 1/8" BSHNG PP	0.93	TCT34FP	3/4" x 3/4" F x 3/4" TEE	2.59
TCHM34B	3/4" HOSE MNDR BR	4.67	TCRB1238P	1/2" x 3/8" BSHNG PP	1.56	TCT34P	3/4" HB TEE - PP	0.96
TCHM34P	3/4" HOSE MNDR PP	0.60	TCRB1418P	1/4" x 1/8" BSHNG PP	0.99	TCT3812P	1/2" x 3/8" x 1/2" HB TEE	1.32
TCHM38B	3/8" HOSE MNDR BR	2.21	TCRB200100P	2" x 1" BSHNG PP	4.87	TCT3814T	1/4" H x 3/8" M x 1/4" H TEE	0.80
TCHM38P	3/8" HOSE MNDR PP	0.47	TCRB200112P	2" x 1 1/2" BSHNG	3.04	TCT3834	3/4" x 3/8" x 3/4" HB TEE	1.24
TCHM516	5/16" HOSE MNDR	0.43	TCRB200114P	2" x 1 1/4" BSHNG	3.41	TCT38CN	NZL BDY x 3/8" CROSS	2.54
TCHM5838P	5/8" x 3/8" HOSE MNDR	0.49	TCRB20034P	2" x 3/4" BSHNG PP	5.60	TCT38P	3/8" HB TEE - PP	0.76
TCHM58B	5/8" HOSE MNDR BR	3.89	TCRB212200P	2 1/2" x 2" BSHNG	10.02	TCT58P	5/8" HB TEE - PP	0.95
TCHM58P	5/8" HOSE MNDR PP	0.52	TCRB300200P	3" x 2" BSHNG PP	13.37	TCTT100P	1" FPT TEE - PP	6.28
TCMV1814B	1/4" x 1/8" GAUGE RED	3.07	TCRB3412P	3/4" x 1/2" BSHNG PP	1.04	TCTT112P	1 1/2" FPT TEE - PP	10.23
TCN018X0P	1/8" x CLS NIP PP	0.47	TCRB3414P	3/4" x 1/4" BSHNG PP	1.15	TCTT114P	1 1/4" FPT TEE - PP	7.25
TCN025X0P	1/4" x CLS NIP PP	0.47	TCRB3418P	3/4" x 1/8" BSHNG PP	1.21	TCTT12P	1/2" FPT TEE - PP	3.41
TCN038025P	3/8" x 1/4" RD NIP PP	0.51	TCRB3438P	3/4" x 3/8" BSHNG PP	1.15	TCTT14P	1/4" FPT TEE - PP	2.87
TCN038X0P	3/8" x CLS NIP PP	0.49	TCRB3814P	3/8" x 1/4" BSHNG PP	0.88	TCTT200P	2" FPT TEE - PP	13.01
TCN050038	1/2" x 3/8" RED NIP	0.49	TCRB3818	3/8" x 1/8" BSHNG	0.92	TCTT34P	3/4" FPT TEE - PP	4.01
TCN050X0P	1/2" x CLS NIP PP	0.51	TCSE100P	1" ST EL-POLY	5.09	TCTT38P	3/8" FPT TEE - PP	4.91
TCN075050P	3/4" x 1/2" RD NIP	0.63	TCSE112P	1 1/2" ST EL-POLY	7.30	TCW405	GH WASHER POLY	0.77
TCN075X0P	3/4" x CLS NIP PP	0.63	TCSE114P	1 1/4" ST EL-POLY	6.49	TCW406	1" x 3/4" ID BLK WSHR	0.10
TCN100X0P	1" x CLS NIP PP	0.79	TCSE12P	1/2" ST EL-POLY	2.11	TCW407	GH WASHER BUNA	0.10
TCN125X0P	1 1/4" x CLS NIP PP	1.49	TCSE14P	1/4" ST EL-POLY	1.69	TCW409	1" GH WASHER	0.77
TCN150X0P	1 1/2" x CLS NIP PP	2.49	TCSE200P	2" ST EL-POLY	8.39	TCW410	CONE FILTER WASHER	0.92
TCN200X0P	2" x CLS NIP PP	3.08	TCSE34P	3/4" ST EL-POLY	2.74	TCWBH200	2 BULKHEAD FITTING	22.89
TCN3400	FGHT NYLON CAP	0.69	TCSE38P	3/8" ST EL POLY	2.49	TCWY3412F	HOSE BARB - Y	3.98
TCN3500	3/4" FPS PP CAP	1.48	TCSE4514P	1/4" 45 ST EL - PP	2.94	TCWY3412FP	HOSE BARB Y-POLY	3.98
TCNC38	3/8" SWIVEL FIT	0.35	TCSE4575P	3/4" 45 ST EL-POLY	1.34	TCY14P	1/4" HBY - PP	2.31
TCNEL025P	1/4" FPT EL - PP	2.43	TCT100P	1" HB TEE-POLY	2.74	TCY38P	3/8" HBY - PP	2.35

# SPRAY TECH

MANUFACTURING, INCORPORATED

PART #	DESCRIPTION	LIST	PART #	DESCRIPTION	LIST	PART #	DESCRIPTION	LIST
TE12000	PUMP REPAIR KIT	132.24	TE12883B	BEARING 2" PEDESTAL	59.88	TE17019	5/16"-18 x 3/4" SCREW	1.42
TE12003A	PUMP REPAIR KIT	112.40	TE12883R	BEARING-NEW PED SHFT	111.65	TE17023	CLAMP 5/8-3/4 SHAFT	47.20
TE12011	BODY FOR TE150	166.63	TE12884	INTERNAL RETAINING CLIP	4.16	TE17025	WEAR PLATE GASKET	2.13
TE12012	BODY FOR TE200	166.63	TE12900	UPPER VOLUTE SCREW	1.73	TE17026	PUMP HOUSING-CI	253.75
TE12702	PUMP VOLUTE-OLD	68.15	TE12901	1/4" SS WASHER	1.02	TE17027	ACORN NUT SS	4.16
TE12702A	POLY PUMP VOLUTE	74.09	TE12902	IMPELLER KEY	1.63	TE17028	SEAL 2" PUMP EPDM	77.14
TE12703	REAR BRKT/ OLD	89.44	TE12902A	IMPELLER KEY-NEW	1.83	TE17033	PUMP BASE	30.96
TE12703A	REAR BRACKET-NEW	98.45	TE12999	SEAL/ORING KIT	70.03	TE17035	SEAL - VITON - CI	77.14
TE12705	CHK VLV 2" POLY	17.76	TE12999A	SEAL/ORING KIT (NEW)	80.19	TE17040	CAP SCREW 5/16"	4.16
TE12705V	VIT CHK VLV 2" POLY	121.80	TE13702	3" PLY PMP VOLUTE	80.19	TE17042	STUD	2.23
TE12706	SLINGER	4.16	TE13712	3" POLY BODY	203.00	TE17046	ADAPTOR F/ELEL	142.10
TE12710	O RING/TE PUMPS	4.16	TE13771	IMPELLER 3" POLY	64.96	TE17100	REPAIR KIT - CI PUMP	253.75
TE12710V	O RING/TE PUMPS VITON	10.66	TE13777	CLEAN OUT PLG-3" STR	4.16	TE17123	CLAMP ASSY-KEYED	47.20
TE12712A	PUMP BODY-NEW	152.25	TE13778	O-RNG CLN OUT PLG	2.13	TE17130	SCREW	2.74
TE12713	PUMP SEAL	48.21	TE15025	SEAL FOR 333 ELEC	233.45	TE17235	PUMP SEAL 3" SS	162.40
TE12713V	SEAL VITON	80.19	TE150PI-3	1-1/2" CI PUMP 3.5 B/S	944.55	TE17704	BOLT F/ 3" CI PUMP	4.16
TE12715	BRACKET SCREWS	3.89	TE15702	VOLUTE	111.65	TE17901	KEY FOR 333	4.16
TE12715A	BRKT SCREW	4.16	TE15712	222 PUMP BODY	213.15	TE18001	3" PUMP HOUSING	649.60
TE12716	SLNGR FOR 5.5&6.5 HP ENG	6.60	TE15751	BRACKET SHIM-222	4.16	TE18002	1" PLUG	8.63
TE12717	O RING/SCREW HEAD	1.02	TE15772	5 VANE IMPELLER	74.09	TE18004	WEAR PLATE - 3"	69.02
TE12717V	O RING SCREW HEAD VI	1.22	TE15773	IMPELLER 222 TRIM	74.09	TE18004SS	SS WEAR PLATE	253.75
TE12719A	BODY O RING-NEW	15.73	TE15999V	SEAL KIT FKM TYPE	98.44	TE18005	GASKET WEAR PLATE	2.20
TE12719BN	BDY O-RNG/PLY PMP-BUNA-N	15.73	TE16019	GASKET SET	17.76	TE18007	3/8" SS ACORN NUT	4.16
TE12720	BODY SCREWS	4.16	TE16702	VOLUTE	192.85	TE18008	3" FLANGE OUTLET	51.26
TE12721	BODY NUTS	0.74	TE16710	O-RING	2.44	TE18008SS	3" SS OUTLET FLNG	192.85
TE12722	O RING PRIME PLUG	1.02	TE16713	SEAL 333 CI	537.95	TE18009	GASKET-OUTLET	10.66
TE12723	DRAIN PLUG	2.23	TE16774	IMPELLER 333PIH13	192.85	TE18010SS	BOLT 3" CI INL/OTL	2.13
TE12724	O-RING FOR DRAIN PLUG	1.02	TE17000	OUTLET FLANGE 2"	26.90	TE18012	FLANGE INLET 3"	58.87
TE12725	VOLUTE SCREWS	4.16	TE17002	INLET FLANGE 2"	30.96	TE18012SS	3" SS INLET FLANGE	263.90
TE12754	O RING SEGMENT	6.60	TE17004	ADAPTER	106.58	TE18013	GASKET CHECK VALVE	51.26
TE12754V	O RING SEGMENT-VI	10.66	TE17004SS	ENGINE ADAPTER-SS	334.95	TE18018	STUD	4.16
TE12760	LOCK WASHER - PUMP	0.51	TE17005	5/8" DRIVE SLEEVE	101.50	TE18021	GASKET ADP 3" CI	8.63
TE12765	IMP STUD TE PUMP	17.52	TE17006	SLEEVE DRIVE-3/4"	101.50	TE18023	IMP & DRIVE - 3" CI	294.35
TE12765A	IMPELLER BOLT SS	19.79	TE17007	7/8" DRIVE SLEEVE	101.50	TE18023-1.125	3" IMP 1-1/8" BORE	287.18
TE12766	BODY PLUG FOR PUMP	7.61	TE17008	IMPELLER CI PMP	79.17	TE18025	VITON SEAL - 3" CI	121.80
TE12771A	3 VANE IMPELLER	46.18	TE1700846	IMPELLER 4.6	79.17	TE18025SS	VITON SEAL-SS	334.95
TE12772	5 VANE IMPELLER	46.18	TE17008SS	IMPELLER STN ST	274.05	TE18026	ENGINE ADAPTER	162.40
TE12774V	O RING ACORN NUT-VI	1.62	TE17009	5/8" HEX NUT	9.64	TE18029	CLAMP ASSY	57.86
TE12774VA	BOLT GASKET	1.62	TE17011	WEAR PLATE	41.11	TE18035	3" MOUNT BASE	48.21
TE12775	ACORN NUT	10.88	TE17013	GASKET CI PUMP	7.61	TE18042	3" INLET GASK FKM	213.15
TE12775A	IMPELLER NUT	15.73	TE17014	INLET GASKET-VITON 2"	91.35	TE18044	3" OUTLET GASK FKM	131.95
TE12777	PRIME PLUG - NEW	2.54	TE17016	GASKET & FLAP EPDM	20.81	TE18049	HYD MTR ADAPTER-3"	321.43
TE12882	PEDESTAL ASSY	233.45	TE17017	CHECK VALVE-VITON/SS	172.55	TE18100	REPAIR KIT 3" CI	385.70
TE12883	BEARING & SHAFT	111.65	TE17018	GSKT F/ 1.5" & 2" CI	7.61	TE18106	FLT HD WEAR PLT SCREW	2.74

# SPRAY TECH

MANUFACTURING, INCORPORATED

PART #	DESCRIPTION	LIST	PART #	DESCRIPTION	LIST	PART #	DESCRIPTION	LIST
TE18106SS	3/8- 16x1 1/4 BOLT	17.76	TEAF300	3" ANSI FLANGE FPT	51.06	TEEL025HB	1/4" M x 1/4" HB EL	1.44
TE18129	CLAMP ASSY-KEYED	57.86	TEAF300G	3" ANSI FLANGE FPT	11.10	TEEL038	3/8" ELBOW	4.19
TE18201	RESERVOIR 3" WET	243.60	TEAF400	4" ANSI FLANGE	107.90	TEEL038HB	3/8" M x 3/8" HB EL	1.44
TE18204	BEARING	203.00	TEAF400G	EPDM GASKET 4" FLNG	13.75	TEEL050	1/2" ELBOW	3.79
TE18218	STUD-3" CI	20.81	TEAFB200	2" ANSI BLIND FLANGE	38.40	TEEL050038HB	1/2" M x 3/8" HB EL	1.44
TE18222	SHAFT 3" WET	223.30	TEBF100	1" BOLTED TANK FLNG	51.21	TEEL050075HB	1/2" M x 3/4" HB EL	1.44
TE18425	SEAL 3" CAST/LRG SHFT	558.25	TEBF150	1-1/2" BOLTED TANK FLNG	42.00	TEEL050HB	1/2" M x 1/2" HB EL	1.44
TE18435	MECH SEAL - 444	629.30	TEBF200	2" BOLTED TANK FLNG	42.00	TEEL075	3/4" ELBOW	4.11
TE18500	3" PEDESTAL ASSY	395.27	TEBF200BD	2" BOTTOM DRAIN FTG	48.71	TEEL075050HB	3/4" M x 1/2" HB EL	1.82
TE18502	BEARING F/3 PED	142.10	TEBF200G	GASKET	6.60	TEEL075100HB	3/4" M x 1" HB EL	1.82
TE18504	1" SHAFT F/ 3" PUMP	70.03	TEBF220BD	2" FP BOTTOM DR FTG	54.94	TEEL075HB	3/4" M x 3/4" HB EL	1.82
TE18700	BASE	400.99	TEBF300	3" BOLTED TANK FLNG	74.97	TEEL100	1" ELBOW	4.84
TE200-HS	2" PUMP w/HONDA	1,016.02	TEBF300BD	3" FP BOTTOM DR FTG	90.81	TEEL100075HB	1" M x 3/4" HB EL	2.33
TE200P-B	PEDESTAL PUMP	473.36	TEBF300G	GSKT f/ 3" BLTD FTNG	16.75	TEEL100125HB	1" M x 1-1/4" HB EL	2.86
TE200P3	2" PUMP W/3HP	504.05	TECAP025	CAP 1/4" PP	2.60	TEEL100HB	1" M x 1" HB EL	2.33
TE200P6PRO	2" PUMP 6.5 BS	541.00	TECAP038	CAP 3/8" PP	2.77	TEEL125	1-1/4" ELBOW	6.05
TE200PBI	PEDESTAL PUMP CI	746.87	TECAP050	CAP 1/2" PP	5.82	TEEL125100HB	1-1/4" M x 1" HB EL	2.86
TE200PHY	2" PLY PMP w/HYD MTR	1,295.01	TECAP075	CAP 3/4" PP	5.82	TEEL125150HB	1-1/4" M x 1-1/2" HB EL	8.23
TE200PI6PRO	2" CI 6.5HP PRO	791.70	TECAP100	CAP 1" PP	5.82	TEEL125HB	1-1/4" M x 1-1/4" HB EL	2.86
TE200PIH5	2" CI 5HP HONDA	1,279.92	TECAP125	CAP 1-1/4" PP	6.54	TEEL150	1-1/2" ELBOW	9.29
TE200PL3	2" PUMP CI 3HP	944.55	TECAP150	CAP 1-1/2" PP	8.23	TEEL150125H	1-1/2" x 1-1/4" HB EL	8.23
TE200PO	PMP ONLY 2" POLY	267.38	TECAP200	CAP 2" PP	9.55	TEEL150HB	1-1/2" M x 1-1/2" HB EL	8.23
TE200POI	PUMP ONLY 2" CI	546.96	TECAP300	CAP 3" PP	34.19	TEEL200	2" ELBOW	11.27
TE205P-B	5 VANE PEDESTAL PUMP	473.36	TECROS025	CROSS 1/4" PP	12.35	TEEL200HB	2" M x 2" HB EL	9.01
TE222PBI	222 SERIES w/ PDSTL	781.99	TECROS038	CROSS 3/8" PP	13.56	TEEL2150HB	2" M x 1-1/2" HB EL	9.01
TE222PI6PRO	2" CI 6.5 INTEK	1,092.81	TECROS050	CROSS 1/2" PP	19.25	TEEL300	3" ELBOW	57.32
TE222PIE51	222 SER CI/5HP/1PHS/3450 RPM	2,522.70	TECROS075	CROSS 3/4" PP	19.25	TEEL300HB	3" M x 3" HB EL	43.57
TE222PIH5	2" CI PUMP HONDA	1,279.92	TECROS100	CROSS 1" PP	19.25	TEEV075	3/4" EL VLV 3WIR SEC	504.98
TE234PIE3	2" CI 3HP 3PHASE	1,759.79	TECROS125	CROSS 1-1/4"	28.70	TEEV100FP	1" EL VALVE	504.98
TE234PIE5	2" CI ELEC SHP 3PH	2,069.85	TECROS150	CROSS 1-1/2" PP	28.70	TEEV100SL	1" 3-WY EL VLV SL	567.50
TE234PIE51	2" CI ELEC SHP 1PH	2,637.18	TECROS200	CROSS 2" PP	35.15	TEEV100XR1	1" VALVE ONLY	152.25
TE234PPE51	2" POLY PMP w/5HP 1PH	2,084.07	TECTS200AR	CLSD MIX BTL ADPTR	119.98	TEEV125	1 1/4" ELEC BALL VLV	504.98
TE300PBI	3" CI PUMP	1,464.04	TECTS200D	TNK ADPTR 2" MALE	199.99	TEEV125XR1	1-1/4" ELEC BALL VLV	152.25
TE300PH-6	3" PLY PMP-6.5 HNDA	1,161.16	TECUP038	COUPLING 3/8" PP	4.33	TEEV150SL	1-1/2" 3 WY SL ELEC VLV	819.20
TE300PI11H	3" CI 11HP HONDA	3,350.05	TECUP050	COUPLING 1/2" PP	4.33	TEEV150SLXR1	1 1/2" EL VLV SUB ASSY	345.10
TE300PI13H	3" CI 13HP HONDA	3,497.44	TECUP075	COUPLING 3/4" FPT	4.33	TEEV200SL	2" EL VLV SIDE LOAD	819.20
TE300PI8	3" PUMP CI 8HP	1,739.28	TECUP100	COUPLING 1" PP	4.93	TEEV204FP	2" FP ELEC VLV	781.36
TE300PI8H	3" PMP CI 8HP HONDA	3,070.66	TECUP125	COUPLING 1-1/4" PP	6.65	TEEV204FP24	2" FP ELEC VLV 24V	781.36
TE300PIHA	3" CST PMP ONLY HYD ADPT	2,071.22	TECUP150	COUPLING 1-1/2" PP	10.84	TEEV300FP	3" FP ELEC VALVE	2,130.63
TE300PO	3" PUMP ONLY POLY	434.61	TECUP200	COUPLING 2" PP	12.61	TEEV3100	.75 SEC 3WIR MOTOR	324.80
TE300POI	3" PUMP ONLY CI	1,256.46	TECUP300	COUPLING 3" PP	35.68	TEEV4100	1.25 SEC MOTOR	446.60
TE333PIE15	3"CI PMP w/ 15HP 3PH MTR	4,869.35	TEDM150AE	1 1/2" MALE DM x FPT	252.75	TEFC100	1" FLANGE CLAMP	10.67
TEAF150	1 1/2" ANSI FLANGE	27.38	TEDM200AD	DRY MATE 2" SET	522.94	TEFC200	2" FLANGE CLAMP	12.29
TEAF150GV	1 1/2" FLANGE GSKT VIT	65.94	TEDPCF100	FEM DRY PPT CPLR, 1"	161.76	TEFC220	2" FP FLANGE CLMP	13.49



PART #	DESCRIPTION	LIST	PART #	DESCRIPTION	LIST	PART #	DESCRIPTION	LIST
TEFC220B	220 BLT FLANGE CLMP	46.86	TEHM025	1/4" HOSE MENDER	1.34	TELS200B	2" Y STR BODY	42.12
TEFC220TB	220 T-BLT FLNG CLMP	33.17	TEHM038	3/8" HOSE MENDER	1.34	TELS200GV	VITON GSK 1-1/2 & 2"	13.70
TEFC300	3" FLANGE CLAMP	18.59	TEHM050	1/2" HOSE MENDER	1.37	TELS206	6M SCR N 1-1/2 & 2"	47.20
TEGHFT075MPT	3/4" MPT x 3/4" GH FEM	2.83	TEHM075	3/4" HOSE MENDER	1.49	TELS2100	1 1/2" - 2" Y 100M SCR	47.20
TEGHN075	3/4" GH NOZZLE	42.42	TEHM100	1" HOSE MENDER	1.82	TELS212	12M SCR N 1-1/2 & 2"	47.20
TEHB025	1/4" M x 1/4" HB	1.21	TEHM125	1-1/4" HOSE MENDER	2.05	TELS2120	120M SCR N 1-1/2 & 2"	47.20
TEHB025038	1/4" x 3/8" HB	1.21	TEHM150	1-1/2" HOSE MENDER	3.63	TELS220	20M SCR N 1-1/2 & 2"	47.20
TEHB025050	1/4" M x 1/2" HB	1.44	TEHM200	2" HOSE MENDER	4.57	TELS230	30M SCR N 1-1/2 & 2"	47.20
TEHB038	3/8" MPT x 3/8" HB	1.30	TEHM300	3" HOSE MENDER	14.25	TELS250	50M SCR N 1-1/2 & 2"	47.20
TEHB038050	3/8" MPT x 1/2" HB	1.30	TEHV200	2" MPT PLY VENTURI	125.06	TELS280	80M SCR N 1-1/2 & 2"	47.20
TEHB050	1/2" PP HOSE BARB	1.30	TEHY1012	HYDRAULIC MOTOR ASSEMBLY	1,542.80	TELS300-20	3" LINE STR 20M	559.28
TEHB050038	1/2" M x 3/8" HB	1.30	TELCTREC	LCT RECOIL	89.34	TELS300-50	3" LINE STR 50M	559.28
TEHB050075	1/2" M x 3/4" HB	1.44	TELS050-40	1/2" LINE STR 40 M	38.13	TELS300-8	3" LINE STR 8M	515.32
TEHB075	3/4" PP HOSE BARB	1.44	TELS050-80	1/2" LINE STR 80 M	38.13	TELS300B	3" LINE STR BDY	336.08
TEHB075038	3/4" MPT x 3/8" HB	1.44	TELS075-40	3/4" LINE STR 40 M	38.13	TELS300BC	3" LINE STR W/O SCR N	415.87
TEHB075050	3/4" M x 1/2" HB PP	1.44	TELS075-80	3/4" LINE STR 80 M	38.13	TELS300C	CAP 3"	164.31
TEHB075058	3/4" M x 5/8" HB	1.77	TELS075C	END CAP	9.96	TELS300EC	END CAP F/ 3" LINE STR	32.99
TEHB075100	3/4" M x 1" HB	1.77	TELS075G	GASKET 1/2" & 3/4"	3.15	TELS300ECG	END CAP GASKET	14.72
TEHB100	1" PP HOSE BARB	1.77	TELS100-20	1" LINE STR 20 M	38.13	TELS300G	GASKET 3"	14.72
TEHB100075	1" M x 3/4" HB	1.77	TELS100-40	1" LINE STR 40 M	38.13	TELS300GI	3" GSKT-NEW STYLE	14.72
TEHB100125	1" M x 1-1/4" HB PP	2.17	TELS100-80	1" LINE STR 80 M	41.87	TELS300GVI	3" VITON GSK-NEW	40.09
TEHB125	1-1/4" PP HOSE BARB	2.17	TELS100B	1" BODY	25.44	TELS300R2	3" SS CLAMP-NEW	108.28
TEHB125075	1-1/4" MPT x 3/4" HB	2.17	TELS100C	END CAP	14.13	TELS308	8M SCR N FOR 3"	142.10
TEHB125100	1-1/4" M x 1" HB PP	2.17	TELS100G	GASKET 1" & 1-1/4"	4.16	TELS312	12M SCR N FOR 3"	142.10
TEHB125150	1-1/4" M x 1-1/2" HB	4.15	TELS120	20M SCR N 1" & 1-1/4"	23.85	TELS320	20M SCR N FOR 3"	142.10
TEHB150	1-1/2" PP HOSE BARB	3.63	TELS125-40	1-1/4" LINE STR 40M	38.13	TELS350	50M SCR N FOR 3"	142.10
TEHB150100	1-1/2" M x 1" HB PP	3.25	TELS125-80	1 1/4" LINE STR 80M	41.87	TELS720	20M SCR N 1/2 & 3/4"	23.85
TEHB150125	1-1/2" M x 1-1/4" HB PP	3.25	TELS125B	Y BODY 1-1/4"	18.78	TELS740	40M SCR N 1/2 & 3/4"	23.85
TEHB150200	1-1/2" M x 2" HB PP	5.58	TELS140	40M SCR N 1" & 1-1/4"	23.85	TELS780	80M SCR N 1/2 & 3/4"	23.85
TEHB150SS	1-1/2" SS HOSE BARB	51.07	TELS141G	ORING - 1 1/2" & 2" SCR	4.16	TELSQ150-12	1-1/2" LSQ STR 12M	121.19
TEHB200	2" PP HOSE BARB	4.45	TELS150-12	1-1/2" LINE STR 12 M	83.91	TELSQ150-50	1-1/2" LSQ STR 50M	121.19
TEHB2150	2"M x 1-1/2" HB PP	5.58	TELS150-20	1-1/2" LINE STR 20 M	83.91	TELSQ150B	BODY TELS150QC	52.96
TEHB300	3" PP HOSE BARB	14.35	TELS150-50	1-1/2" LINE STR 50 M	83.91	TELSQ200-B	2" Q STR BODY	58.87
TEHB400	4" PP HOSE BARB	30.07	TELS150-80	1-1/2" LINE STR 80 M	83.91	TELSQ20012	2" LINE STR 12 M	121.19
TEHBF075	3/4" HS BRB F	3.55	TELS150B	1-1/2" BODY	42.12	TELSQ20050	2" LINE STR 50 M	121.19
TEHBF075100	3/4" - 1" HS BRB F	3.55	TELS150C	END CAP NEW STYLE	24.87	TELSQ200C	CAP FOR LSQ	71.05
TEHBF100	1" HS BRB F	2.50	TELS150G	GSK 1-1/2 & 2" NEW STYLE	4.16	TELSQ200G	GASKET Q STR	8.63
TEHBT025	1/4" HB TEE	1.94	TELS150GV	VITON GSK 1-1/2 & 2"	13.70	TELSQ200GV	VITON GASKET	51.26
TEHBT038	3/8" HB TEE	1.94	TELS180	80M SCR N 1 & 1-1/4"	23.85	TELSQ200PL	1" CLEAN OUT PLG	2.94
TEHBT050	1/2" HB TEE	2.51	TELS200-12	2" Y STR 12M	83.91	TELSQ200R	GSKT F/CLEAN PLUG	1.02
TEHBT075	3/4" HB TEE	2.51	TELS200-120	2" Y LINE STR 120M	83.91	TELSQ200RI	O RING F/CLEAN PLUG	1.02
TEHBT150100	1 1/2" HB TEE w/ 1" M LEG	22.04	TELS200-20	2" Y LINE STR 20 M	81.47	TESS320	20 M SCR N F/ 3" SS STR	101.10
TEHBT200	2" HB TEE	10.98	TELS200-50	2" Y LINE STR 50 M	83.91	TESS330	30 M SCR N F/ 3" SS STR	104.55
TEHBT300	3" HB TEE	30.52	TELS200-80	2" Y LINE STR 80 M	83.91	TELT050B	BLK BWL MINI T	9.64

# SPRAY TECH

MANUFACTURING, INCORPORATED

PART #	DESCRIPTION	LIST	PART #	DESCRIPTION	LIST	PART #	DESCRIPTION	LIST
TELST075-50	3/4" T-STRAINER 50M	40.33	TELM050G	MINI T STR GSKT	4.16	TEM200A	2" FLNG x 2" PART A CAM	8.53
TELST075-80	3/4" T-STRAINER 80M	40.33	TELM075050	3/4" BLK MINI STR 50M	22.46	TEM200BRB	2" FLNG x 2" HB	5.25
TELST075-H	3/4" T-STRAINER HEAD	13.70	TELM07550C	3/4" MINI STR 50M CLR	30.17	TEM200BRB45	2" STD MANIFOLD 45 BRB	20.28
TELST075100	3/4" T-STRAINER 100M	40.33	TELV025V	1/4" FPT MICR VLV	17.53	TEM200BRB90	2" FLG x 2" HB 90	9.53
TELST100-16	1" T-STR 16M	40.33	TELV038MTV	3/8" FPT x MPT MICR VLV	17.53	TEM200CPG	2" STD FLANGE CPG	13.81
TELST100-50	1" T-STR 50M	40.33	TELV050SLV	1/2" FPT SLD MICR VLV	22.90	TEM200CPG45	2" FLG 45 DEG CPG	14.13
TELST100-80	1" T STR 80M	40.33	TELV050V	1/2" FPT MICR VLV	18.69	TEM200CPG90	2" STD FLNG CPL 90	12.25
TELST100100	1" T-STR 100M	40.33	TELVHB038V	3/8" HB MICR VLV	17.53	TEM200CPG90SH	2" STD FLNG CPL 90 SHORT	12.25
TELST100B	T STR BWL, 3/4", 1"	15.73	TELVHB075100MTV	3/4" HB x 1" M MICR VLV	18.69	TEM200CR	2" STD FLANGE CROSS	35.44
TELST100G	T STR GSKT, 3/4", 1"	4.16	TELVHB075MTV	3/4" HB x 3/4" M MICR VLV	18.69	TEM200FPT	2" FLANGE x FPT	13.44
TELST100GV	VITON GASKET	8.63	TELVHB3850MTV	3/8" HB x 1/2" M MICR VLV	18.69	TEM200MPT	2" FLANGE x 2" MPT	4.64
TELST1100	100M SCR N	20.81	TEM100050FPT	1" FLANGE x 1/2" FPT	2.24	TEM200PLG	2" STD PLUG	4.64
TELST116	1" LST 16M SCREEN	20.81	TEM100075BRB	1" FLANGE x 3/4" HB	1.96	TEM200PLG025	2" FLNG PLG w/1/4" FPT	14.04
TELST125-50	1-1/4" T-STR 50M	80.34	TEM100075FPT	1" FLG x 3/4" FPT	2.24	TEM200PLG075	2" FLNG PLG w/ 3/4" F	14.04
TELST125-80	1 1/4" T STR 80M	80.34	TEM100075MPT	1" FLANGE x 3/4" MPT	2.24	TEM200PLG100	2" FLNG PLG w/1" FPT	14.04
TELST125H	1 1/4" T STR HEAD	29.94	TEM100125BRB	1" FLANGE x 1-1/4" HB	1.96	TEM200TEE	2" MANIFOLD TEE	14.17
TELST130	30M SCR N F/ 1" T STR	20.81	TEM100125MPT	1" FLNG x 1 1/4" MPT	2.24	TEM200TEEV	2" FLNG x TEE-IND	46.27
TELST150	50M SCR N F/ 1" T STR	20.81	TEM100A	1" MANIFOLD x 1" A	6.38	TEM2100B90	2" FLNG x 1" HB ELB	9.53
TELST150-30	1-1/2" T STRAINER 30M	80.34	TEM100B45	1" 45 DEG BRB x 1" FLNG	14.36	TEM2100BRB	2" FLANGE x 1" HB	5.25
TELST150-50	1-1/2" T STRAINER 50M	80.34	TEM100BRB	1" FLANGE x 1" HB	1.96	TEM2125B90	2" FLNG x 1-1/4" HB ELB	9.71
TELST150-80	1-1/2" T STRAINER 80M	80.34	TEM100BRB90	1" FLANGE x 1" HB 90	2.36	TEM2125BRB	2" FLNG x 1-1/4" HB	5.97
TELST150B	1-1/2" T STRNR BWL	23.85	TEM100CPG	1" FLANGE COUPLER	5.25	TEM2125MPT	2" MANIFOLD x 1-1/4" MPT	4.64
TELST150G	1-1/2" T STRNR GSKT	4.16	TEM100CPG45	1" FLNG CPLR 45	10.88	TEM2150B45	2" FLNG x 1-1/2" HB ELB 45	17.29
TELST150H	1-1/2" T STRNR HEAD	29.94	TEM100CPG90	1" x 1" FLANGE 90	7.33	TEM2150B90	2" FLANGE x 1-1/2" HB ELB	9.71
TELST150HB	STR HD BWL& GSKT	52.27	TEM100CR	1" PP FLANGED CROSS	19.76	TEM2150BRB	2" STD FLG x 1-1/2" HB	5.25
TELST15100	100M SCR N 1-1/2" T ST	31.97	TEM100FPT	1" FLANGE x 1" FPT	4.24	TEM2150MPT	2" FLG x 1-1/2" MPT	4.64
TELST1516	16M SCR N F/ 1-1/2" T STR	31.97	TEM100G	1" MANIFOLD GASKET	2.24	TEM220100CPG	2" x 1" FLNG RD CPG	15.68
TELST1530	30M SCR N F/ 1-1/2" T STR	31.97	TEM100GV	1" VITON GASKET	5.97	TEM220100TEE	2" FP FLG x 1" FLG TEE	14.34
TELST1550	50M SCR N F/ 1-1/2" T STR	31.97	TEM100MPT	1" MANIFOLD x 1" MPT	2.24	TEM220125BRB	2" FP FLNG x 1-1/4" BRB	5.25
TELST1580	80M SCR N F/ 1-1/2" T STR	31.97	TEM100PA	1" FLNG PIPE ADPTR	46.53	TEM220150B	2" FP FLNG x 1-1/2" BRB	5.25
TELST180	80M SCR N F/ 1" T STR	20.81	TEM100PAC	1" FLNG PIPE ADPTR CAP	44.31	TEM220150B90	2" FP FLNG x 1-1/2" BRB 90	9.71
TELST200-B	2" T STR POLY BOWL	121.80	TEM100PAT	1" FLNG PIPE ADPTR TEE	56.90	TEM220200CPG	2" FP FLNG RD CPG	15.68
TELST204	4M SCR N F/ 2" T STR	64.96	TEM100PLG	1" FLANGE PLUG	2.24	TEM220200HBT	2" FP FLG x 2" HB TEE	15.53
TELST2100SS	100M SCR N SS	64.96	TEM100TEE	1" FLANGE TEE	6.74	TEM220A	2" FL x 2" PART A	9.39
TELST216	16M SCREEN LST 2"	64.96	TEM101GSA	1" FLNG x 1" PVC SCKT	9.03	TEM220ASWP90	2" FP FLNG x 2" MQC	15.55
TELST216SS	16M SCREEN SS	64.96	TEM1075B90	1" FLANGE x 3/4" HB ELB	1.91	TEM220B45	2" FP FL x 2" 45 HB	21.51
TELST230SS	2" T STR SCR N 30M-SS	64.96	TEM1125B90	1" FLANGE x 1-1/4 HB ELB	2.33	TEM220B90	2" FP FLNG x 2" HB90	9.71
TELST250SS	SCR N F/ MANIFOLD 220 ST	64.96	TEM17000	2" MNFLD OUTLET FLANGE	30.96	TEM220BRB	2" FP FLNG x 2" HB	5.25
TELST280SS	80M SCREEN SS	64.96	TEM17002	2" MNFLD INLET FLANGE	30.96	TEM220BSWP90	2" FP FLG x HB 90	36.70
TELST550	50M SCR N MINI T	16.75	TEM18008	3" MNFLD OUTLET FLNG	58.87	TEM220CP45	2" FP FLNG x 45 CPG	17.02
TELM050030	1/2" BLK MINI STNR 30M	22.46	TEM18012	3" MNFLD INTLET FLNG	58.87	TEM220CPG	2" FP FLNG CPG	15.52
TELM050050	1/2" BLK MINI STNR 50M	22.46	TEM200100CPG	2" FLNG x 1" FLNG COUP	15.68	TEM220CPG6	2" x 2" FP CPG 6" LONG	19.82
TELM050090C	1/2" MINI STR 50M CLR	30.17	TEM200100TB	2" FLG x 1" T w/BKT	19.86	TEM220CPG90	2" FP FLG CPG 90	12.25
TELM050080	1/2" BLK MINI STNR 80M	22.46	TEM200100TEE	2" PORT x 1" FLNG TEE	13.58	TEM220CR	2" FP FLG CROSS	35.44



PART #	DESCRIPTION	LIST	PART #	DESCRIPTION	LIST	PART #	DESCRIPTION	LIST
TEM220D	2" FL x 2" PART D	23.70	TEMCV300	3" MNFLD CHECK VLV	44.87	TEMV220BL	2" FP VLV BL FLNG	123.87
TEM220FPT	2 FP x 2 FPT	23.82	TEMEV100BL	1" FLANGE VLV BL	567.50	TEMV220CF	2" FP BALL VALVE FLNG	87.14
TEM220MPT	2" FP FLG x 2" MPT	4.64	TEMEV100CF	1" FP ELEC BALL VLV	504.98	TEMV25270	STRAIGHT MOUNT BRACKET	17.76
TEM220MPTSS	2" FP FLNG x 2" MPT SS	57.09	TEMEV100XR1	1" MNFLD SUB-ASSY	152.25	TEMV25271	90 DEG MOUNT BRACKET	20.81
TEM220MSWP	2" MPT x 2" FP FLNG	15.55	TEMEV10151	SS STEM w/SEALS	70.03	TEMV300	3" FLG VALVE	143.05
TEM220PLG	2" FP FLG PLUG	5.88	TEMEV10254	EV BODY 3/4 - 1-1/4"	16.75	TEMV300BL	3" FLG BL VALVE	332.06
TEM220PLG075	2" FP FLG w 3/4" FPT	23.52	TEMEV105CF	1" MN 5-VLV 2IN1OUT	2,648.39	TEMV300CF	3" FLANGE BALL VLV	207.35
TEM220SWP90	2" MFL SWEEP	15.55	TEMEV200CF	2" MNFLD ELEC VLV	740.24	TEMV301CF	VLV 3" MIS	228.09
TEM220TEE	2" FP FLG TEE	14.17	TEMEV200SLCF	2" MNFLD SL ELEC VLV	880.06	TEMV35278	3" MNFLD END PLT	58.87
TEM220Y45	2" FP FLANGE Y	68.96	TEMEV200XR1	2" MNFLD SUB-ASSY	274.05	TEMVE004	ELEC VLV FLNG GSKT	1.02
TEM220YG45	2" FP Y45 MNFLD/G PT	74.78	TEMEV220XR1	2" FP MNFLD SUB-ASSY	324.80	TEMVE103CF	1" 3-VALVE MANIFOLD	1,573.10
TEM221GSA	2" FP FLNG x 2" PVC SCKT	14.21	TEMFM220	2" FP FLOW METER	1,381.55	TEMVS220CF	2" FP FLG STUBBY VLV	78.91
TEM300200CPG	3"x 2" FLNG RED CPG	36.59	TEMHV200	2" MNFLD VENTURI	125.06	TEMVS220FP	2" FP FLANGE STUBBY VLV	78.91
TEM300220B	3" FLNG x 2" HB	16.14	TEMHV220A	2" FP MNFLD VENTURI	138.24	TEMVS300CF	3" FL x 3" FL STBY VLV	161.33
TEM300220B90	3" FLNG x 2" HB 90	16.04	TEMIS220	2" MNFLD INDUCT SYS	571.12	TEMVSF220FP	2" FP FLG x 2" MALE CAM	78.91
TEM300220CPG	3" x 2" FLNG RED CPG	36.59	TEMIS300	3" FP INDCTR ASSY	994.85	TEMVSF300	3" STBY QDC VLV FLG	161.33
TEM300A	3" M CAM x FLNG	20.01	TEMLKS220G1	ORING EPDM-CAP M220 LN STR	4.16	TEMVSF300FP	3" FP FLNG x 3" MC STBY	201.98
TEM300ASWP90	3" FLNG x 3" MC	71.34	TEMLS100-40	1" FLNG Y STR 40M	37.01	TEMVSMT220FP	2" FLNG x 2" MPT VLV	78.92
TEM300B45	3" x 3" 45 FL HB	74.99	TEMLS200-50	2" FLNG Y STR 50M	95.12	TEMVSMT300	3" FLANGE x 3"MPT VALVE	168.00
TEM300BRB	3" FLNG x 3" HB	16.04	TEMLS200-80	2" FLNG Y STR 80M	95.12	TEN025X0	NIPPLE 1/4" x CL	1.27
TEM300BRB90	3" FLNG x 3" HB 90	42.90	TEMLS220C1	2" FLNG Y STR CAP/BOWL	27.91	TEN038X0	NIPPLE 3/8" x CL	1.27
TEM300BSWP90	3" FLNG x HB SWEEP	71.34	TEMLS220G	GASKET MLS220 BOWL	6.60	TEN050X0	NIPPLE 1/2" x CL	1.43
TEM300CPG	3" FLNG CPG	18.29	TEMLS220G1	BDY O-RING MLS222	4.16	TEN050X3	NIPPLE 1/2" x 3"	2.71
TEM300CPG45	3" FLNG CPG 45	69.63	TEMLS220R	MLS 222 RING	15.73	TEN075X0	NIPPLE 3/4" x CL	1.48
TEM300CPG7	3" FP FLG CPG x 7"	19.60	TEMLS222-50	2" FP FLG LINE STR	145.19	TEN075X4	NIPPLE 3/4" x 4"	2.83
TEM300CPG90	3" FLNG CPG 90	57.08	TEMLS222B	2" FLG STR BDY	62.93	TEN075X6	NIPPLE 3/4" x 6"	3.32
TEM300CR	3" FLNG CROSS	78.41	TEMLS250SS	50M SS PERF SCRIN	103.53	TEN100X0	NIPPLE 1" x CL	2.11
TEM300FPT	3" FLNG x 3" FPT	38.37	TEMLS280SS	80M SS PERF SCRIN	103.53	TEN100X4	NIPPLE 1" x 4"	3.00
TEM300HBT	3" FLG x 3" HB TEE	33.84	TEMLS300-50	3" FLNG LINE STR 50M	530.78	TEN100X6	NIPPLE 1" x 6"	3.74
TEM300MPT	3" FLNG x 3" MPT	14.17	TEMLS300CAP	3" STR CAP NS	172.55	TEN125X0	NIP 1-1/4" x CL	2.11
TEM300MSWP	3" MPT x 3" FLNG SWP	71.34	TEMLS300ECGV	CAP GSKT VIT	26.90	TEN125X4	NIPPLE 1-1/4" x 4"	3.74
TEM300PL100	3" FLNG PLG W/ 1" FPT	26.16	TEMLS300G	3" GSKT NEW LINE STR	7.61	TEN125X6	NIPPLE 1-1/4" x 6"	4.24
TEM300PLG	3" FLNG PLUG	15.68	TEMLS300GV	VITON O RING 3"MLS	36.03	TEN150X0	NIPPLE 1-1/2" x CL	3.89
TEM300SWP90	3" FLNG SWEEP	71.34	TEMLST1005	1" FLG T STR 50M	44.45	TEN150X3	NIPPLE 1-1/2" x 3"	4.79
TEM300SWPG90	3" FLG SWP w/ 1/4" GP	71.34	TEMLST1505	2" FLG T STR 50M	82.77	TEN150X4	NIPPLE 1-1/2" x 4"	7.98
TEM300TEE	3" FLNG TEE	66.82	TEMLST1508	2" FLG T STR 80M	82.77	TEN150X6	NIPPLE 1-1/2" x 6"	9.39
TEM300Y45	3" FP 45 DG Y FLNG	125.63	TEMPRV100-075	MN 1" PR SPK VLV 75#	94.30	TEN200X0	NIPPLE 2" x CL	4.41
TEM301GSA	3" FLNG x 3" PVC SCKT	22.30	TEMPRV100-100	MN 1" PR SPK VLV 100#	86.92	TEN200X4	NIPPLE 2" x 4"	9.29
TEM303D	3" FLG x 3" D	45.47	TEMV100CF	1" FP VALVE FLANGED	46.21	TEN200X6	NIPPLE 2" x 6"	10.84
TEMBF200BD	2" FLG BLTD BTM DRN	46.40	TEMV10270	MNFLD MOUNT BKT	10.66	TEN300X0	NIPPLE 3" x CL	13.81
TEMBP200	2" BTRS x 2" MPT	14.86	TEMV10271	MNFLD MOUNT BKT	10.66	TEN300X4	NIPPLE 3" x 4"	20.75
TEMCV100	1" MNFLD CHECK VLV	17.29	TEMV200BL	2" FLG BL VALVE	78.24	TEN300X6	NIPPLE 3" x 6"	26.76
TEMCV200	2" MNFLD CHECK VLV	22.36	TEMV200BLEH	2" FLG BL VLV EXT HNDL	95.74	TEN400X0	NIPPLE 4" x CL	21.50
TEMCV220	2" FP MNFLD CHECK VLV	26.98	TEMV200CF	2" FLANGE BALL VALVE	65.38	TEP3 MTR	3 HP BANJO ENGINE	746.78

# SPRAY TECH

MANUFACTURING, INCORPORATED

PART #	DESCRIPTION	LIST	PART #	DESCRIPTION	LIST	PART #	DESCRIPTION	LIST
TEP5 MTR	5 HP BANJO ENGINE	871.25	TERN100075	RD NIP 1" x 3/4"	2.71	TETC343	T-BOLT CLAMP 3.43-3.75	10.89
TEPLUG038	PLUG 3/8" PP	2.60	TERN125075	RD NIP 1-1/4" x 3/4"	3.13	TETC425	T-BOLT CLAMP 4.25-4.56	11.79
TEPLUG050	PLUG 1/2" PP	3.00	TERN125100	RD NIP 1-1/4" x 1"	2.83	TETC438	T-BOLT CLAMP 4.38-4.76	19.66
TEPLUG075	PLUG 3/4" PP	3.00	TERN150100	RD NIP 1-1/2" x 1"	3.35	TETC456	T BOLT CLAMP 4.56-4.94	19.66
TEPLUG075S	1" DRN PLUG LSQ STR	4.16	TERN150125	RD NIP 1-1/2" x 1-1/4"	3.00	TETEG075	3/4" T w/ GAUGE PORT	19.09
TEPLUG100	PLUG 1" PP	3.00	TERN200125	RD NIP 2" x 1-1/4"	4.11	TETFO50	1/2" POLY TANK FITTING	11.10
TEPLUG125	PLUG 1-1/4" PP	3.00	TERN200150	RD NIP 2" x 1-1/2"	3.33	TETFO75	3/4" TANK FITTING-EPDM	11.10
TEPLUG150	PLUG 1-1/2" PP	4.79	TERN300200	RD NIP 3" x 2"	13.75	TETFO75V	3/4" BLKHD FTG - VITON	21.73
TEPLUG200	PLUG 2" PP	4.79	TERSTB-2	RCTR-SL TRU BLU 2oz	10.43	TETF100	1" BLKHD FTG PP	13.22
TEPLUG300	PLUG 3" PP	18.90	TESE038	ST EL 3/8"	3.98	TETF100V	1" BLKHD FTG PP VIT	29.02
TERB038025	BSHG 3/8" x 1/4" PP	2.83	TESE050	ST EL 1/2"	3.98	TETF125	1-1/4" BLKHD FTG PP	15.39
TERB050025	BSHG 1/2" x 1/4" PP	2.83	TESE075	ST EL 3/4"	4.24	TETF125AV	1-1/4" TANK FLG AV	26.36
TERB050038	BSHG 1/2" x 3/8" PP	2.83	TESE100	ST EL 1"	5.02	TETF150	1-1/2" BULKHEAD FIT	23.67
TERB075025	BSHG 3/4" x 1/4"	2.83	TESE125	ST EL 1-1/4"	6.28	TETF150AV	1 1/2" A-V TANK FITTING	32.97
TERB075038	BSHG 3/4" x 3/8" PP	2.83	TESE150	ST EL 1-1/2"	9.78	TETF200	2" BLKHD FTG PP	23.67
TERB075050	BSHG 3/4" x 1/2" PP	2.83	TESE200	ST EL 2"	11.61	TETF200AV	2" TANK FITTING A/V	32.97
TERB100018	BSHG 1" x 1/8"	3.00	TESE300	ST EL 3"	59.11	TETF200SS	2" BLKHD FITTING SS	322.88
TERB100025	BSHG 1" x 1/4"	3.00	TESE45075	ST EL 3/4" 45 DG	6.83	TETF220	2" FP BLKHD FTG - 3.25 H	30.27
TERB100050	BSHG 1" x 1/2" PP	3.00	TESE45100	ST EL 1" 45 DG	10.01	TETF220G	GSKT f/ TETF220	6.60
TERB100075	BSHG 1" x 3/4" PP	3.00	TESE45125	ST EL 1-1/4" 45 DG	12.39	TETF220GV	VIT GSKT f/ TETF220	56.84
TERB125038	BSHG 1-1/4" x 3/8"	3.00	TESE45150	ST EL 1-1/2" 45 DG	13.24	TETF220V	2" FP BLKHD VIT - 3.25 H	73.09
TERB125075	BSHG 1-1/4" x 3/4" PP	3.00	TESE45200	ST EL 2" 45 DG	15.68	TETF300	3" BLKHD FTG PP	50.73
TERB125100	BSHG 1-1/4" x 1" PP	3.00	TESE45300	ST EL 3" 45 DG	64.93	TETF300G	3" BULKHEAD GSKT	10.66
TERB150075	BSHG 1-1/2" x 3/4" PP	3.98	TESK2000.1	AIR FILTER F/ EC MTR	49.23	TETF300GV	3" BLKHD GSKT VITON	50.24
TERB150100	BSHG 1-1/2" x 1" PP	3.98	TEST200	2" POLY SIPHON TUBE	24.04	TETF303	3" TANK FLANGE NUT	25.88
TERB150125	BSHG 1-1/2" x 1-1/4" PP	3.98	TEST300	3" POLY SIPHON TUBE	35.55	TETL651E	IBC TANK LID 6.5"	18.87
TERB200075	BSHG 2" x 3/4" PP	4.33	TESW100	1" M x 1" F SWIVEL	17.18	TETLVA10	10" LID WITH FILLWELL	46.73
TERB200100	BSHG 2" x 1" PP	4.33	TESW150	1-1/2" M x 1-1/2" F SWVL	21.04	TETM075050	MANIFOLD	35.13
TERB200125	BSHG 2" x 1-1/4" PP	4.33	TESW200	2" M x 2" F SWVL	23.59	TETT038	TEE 3/8" PP	4.18
TERB200150	BSHG 2" x 1-1/2"	4.33	TESW220	2" M x 2" F FP SWVL	39.26	TETT050	TEE 1/2" FPT PP	4.41
TERB300150	BSHG 3" x 1-1/2" PP	18.05	TETA283	IBC 2" BTRS x 2" MPT	24.17	TETT075	TEE 3/4" FPT PP	4.72
TERB300200	BSHG 3" x 2" PP	18.05	TETC120	T-BOLT CLAMP 1.20-1.34	9.64	TETT100	TEE 1" FPT	6.81
TERB400300	BSHG 4" x 3" PP	27.98	TETC130	T-BOLT CLAMP 1.30-1.70	9.64	TETT125	TEE 1-1/4" FPT	7.86
TERC100075	RD CPG 1" x 3/4" PP	6.41	TETC150	T-BOLT CLAMP 1.50-1.75	9.73	TETT150	TEE 1-1/2" FPT PP	11.27
TERC150100	RD CPG 1-1/2" x 1" PP	10.90	TETC162	T-BOLT CLAMP 1.62-1.87	9.73	TETT200	TEE 2" FPT	14.04
TERC150125	RD CPG 1-1/2" x 1-1/4" PP	10.90	TETC181	T-BOLT CLAMP 1.81-2.06	9.73	TETT300	TEE 3" FPT PP	66.89
TERC200050	RED CPG 2" x 1/2"	11.58	TETC193	T-BOLT CLAMP 1.93-2.18	10.00	TEUB100	100 SERIES U-BOLT	8.23
TERC200100	RED CPG 2" x 1"	11.58	TETC218	T-BOLT CLAMP 2.18-2.50	10.00	TEUB200	200 SERIES U-BOLT	25.85
TERC200125	RED CPG 2" x 1-1/4"	11.58	TETC224	T-BOLT CLAMP 2.24-2.55	10.20	TEUB220	220 SERIES U-BOLT	27.29
TERC200150	RED CPG 2" x 1-1/2"	11.58	TETC231	T-BOLT CLAMP 2.31-2.62	10.20	TEUV07150	3/4" UNION END CAP	8.63
TERC300200	RED CPG 3" x 2"	41.12	TETC250	T-BOLT CLAMP 2.50-2.81	10.20	TEUV07153	3/4" UNION HANDLE	7.61
TERN050038	RD NIP 1/2" x 3/8"	2.15	TETC287	T-BOLT CLAMP 2.87-3.18	10.20	TEUV07256	3/4" UNION END CAP	8.63
TERN075050	RD NIP 3/4" x 1/2"	2.30	TETC312	T-BOLT CLAMP 3.12-3.49	10.43	TEUV07258	3/4" UNION VALVE SEAT	4.16
TERN100050	RD NIP 1" x 1/2"	2.97	TETC331	T-BOLT CLAMP 3.31-3.62	10.89	TEUV07264	3/4" BODY O RING	2.64

# SPRAY TECH



MANUFACTURING, INCORPORATED

PART #	DESCRIPTION	LIST	PART #	DESCRIPTION	LIST	PART #	DESCRIPTION	LIST
TEUV10150	1" UNION CAP	9.64	TEV10153	HANDLE 1" FP, 1-1/4"	5.18	TEV20261	ANGL FLNG 2" NEW	29.94
TEUV10153	1" UNION VALVE HANDLE	8.63	TEV10154	V100-125 BODY	9.52	TEV20262	ANGL FLNG 1-1/2" NEW	29.94
TEUV10163	STEM O RING 1"	1.73	TEV10161	1" POLY NOZZLE PIPE	16.75	TEV20264	O-RING V-200	10.66
TEUV10255	1" UNION VALVE BALL	12.69	TEV10163	STEM O-RING	2.33	TEV20267	1-1/4" END PLATE	15.73
TEUV10256	1" UNION END PLATE	8.63	TEV10200	VALVE REPAIR KIT	29.16	TEV20355B	BALL	14.72
TEUV10258	1" VALVE SEAT	5.18	TEV10254	VALVE BODY	9.64	TEV204FP	2" FP 4-BOLT	79.28
TEUV10264	1" UNION BODY O RING	3.15	TEV10256	END PLATE 1-1/4" FP	13.70	TEV21204	BODY GASKET	5.18
TEUV15150	1-1/2" UV END CAP	14.72	TEV10257	END PLATE 1" FP	13.70	TEV25020	3/8" x 1/2" HNDL BLT	1.93
TEUV15151	1-1/2" UNION STEM	7.61	TEV10258A	BALL SEAT	7.61	TEV25060	THRUST WASHER	2.33
TEUV15153	1-1/2" UNION HANDLE	7.02	TEV10264	VALVE BODY O-RING	7.61	TEV25121	SS HANDLE WASHER	1.02
TEUV15163	STEM O RING 1-1/2"	1.02	TEV10270	1" STR MOUNT BKT	10.66	TEV25151B	2" FP VLV STEM	15.73
TEUV15255	UN BALL 1-1/4" x 1-1/2"	16.75	TEV10271	MOUNTING BKT 90 DEG	10.66	TEV25152	HANDLE 2" FP	15.73
TEUV15257	UNION END PLATE	12.69	TEV10278	1" MNFLD END PLT	11.72	TEV25153	HANDLE 2",3",3" FP	15.73
TEUV15264	1-1/4" x 1-1/2" BDY O-RING	5.18	TEV125	1-1/4" BALL VLV PP	46.21	TEV25153138BL	HNDL RSR 220,300 BL	6.99
TEUV15267	1-1/4" UNION END PLATE	12.69	TEV125BL	1-1/4" VLV BTM LD	78.24	TEV25154	VALVE BODY	17.02
TEUV20150	2" UNION END CAP	15.73	TEV125FP	1-1/4" FP BALL VLV	59.39	TEV25160	UPPER STEM BUSHING	5.18
TEUV20151	2" UNION END CAP	12.69	TEV125SL	1-1/4" VLV SD LOAD	78.24	TEV25163	STEM O-RING	4.16
TEUV20153	2" HANDLE	12.69	TEV150	1-1/2" BALL VLV PP	59.39	TEV25165	2" x 8" NOZZLE PIPE	8.63
TEUV20163	2" UNION STM O-RING	1.83	TEV150BL	1 1/2" VLV BTM LD	78.24	TEV25200	VALVE REPAIR KIT	57.59
TEUV20254	2" UNION VLV BODY	15.73	TEV150SL	1-1/2" VLV SD LOAD	78.24	TEV25214V	O-RING f/ 2" STBY VLV	6.60
TEUV20257	END PLATE 2"	14.72	TEV200	2" BALL VLV PLY	59.39	TEV25254	BODY VA200FP	19.79
TEUV20258	UNION SEAT 2"	10.66	TEV20010SS	SS BODY BOLT	1.22	TEV25255	BALL 2" FP	15.73
TEUV20264	BDY O-RING 2"	5.18	TEV20017	3/8" x 4" BODY BOLT	1.93	TEV25255A	NEW STYLE BALL	15.73
TEUVA100FP	1" ANGLE HOSE END	42.78	TEV20018	3/8" SS LCK WSHR	1.02	TEV25256	END PLT 2" FP NEW	21.82
TEUVS075	SPINWELD SUV 3/4"	21.42	TEV20019	3/8" SS NUT	1.22	TEV25258	BALL SEAT	14.72
TEV050	1/2" BALL VLV PP	41.90	TEV20020	HANDLE BOLT	1.02	TEV25258A	BALL SEAT	14.72
TEV07019	BODY NUT-PUMP	1.02	TEV20021	HANDLE WASHER	1.02	TEV25261	ANGLE END FLNG 2"	45.17
TEV07020	3/16" x 1/2" HANDLE BLT	0.64	TEV20060	BEARING-THRUST CF200	2.33	TEV25264	VLV BDY ORING VITON	12.69
TEV07155	VALVE BALL	7.61	TEV200BL	2" VLV BTM LOAD	119.39	TEV25270	MOUNTING BRACKET	17.76
TEV07200	REPAIR KIT 3/4"	24.37	TEV200FP	2" FP BALL VLV PP	83.64	TEV25271	MOUNTING BKT 90 DEG	20.81
TEV07254	VALVE BODY 1" NEW	9.64	TEV200SL	2" VLV SIDE LOAD	119.39	TEV25353B	STR HANDLE - 200BL	15.73
TEV07256	END PLATE 1" NEW	10.66	TEV20151	STEM-150-200-A	9.64	TEV25356	END PLATE-V204FP	21.82
TEV07257	END PLATE 3/4"	10.66	TEV20152	HANDLE 1-1/2" - 2"	9.64	TEV300	3" BALL VALVE PP	134.63
TEV07264	VALVE BODY O-RING	5.18	TEV20153	HANDLE 1-1/2" - 2"	9.64	TEV300FP	3" FP BALL VLV	199.86
TEV075	3/4" BALL VLV PP	41.90	TEV20159	UPPER STEM BUSHING	4.16	TEV30151	STEM LRG VLV	15.73
TEV075BL	3/4" BTM LOAD VALVE	60.50	TEV20160	LWR STEM BUSHING	3.13	TEV30200	VALVE REPAIR KIT	81.09
TEV075SL	3/4" SL VALVE 3-WAY	60.50	TEV20163	VITON O-RING STEM	2.94	TEV30254	BODY - 3"	27.91
TEV100	1" BALL VALVE PP	41.90	TEV20166	1-1/2" x 8" NOZ PIPE	7.61	TEV30258A	BALL SEAT-V300	15.73
TEV100BL	1" BL 3-WAY VLV	60.50	TEV20200	VALVE REPAIR KIT	43.77	TEV30264	3" VALVE END PLATE	37.05
TEV100FP	1" FP BALL VLV PP	46.21	TEV20254	VLV BDY NEW STYLE	14.72	TEV30265	VLV BDY O-RING	13.70
TEV100SL	1" SIDE LOAD VALVE	60.50	TEV20255	VALVE BALL 1-1/2" - 2"	14.72	TEV35017	3/8" x 6" SS BDY BLT	6.60
TEV10118	LOCKWASHER 5/16"	1.02	TEV20256	END PLATE 2"	15.73	TEV35200	REP KIT V300FP	148.86
TEV10119	NUT 5/16"-SS	1.02	TEV20257	ENDPLATE NEW 1-1/2"	15.73	TEV35254	BODY 3" FP	38.06
TEV10151	STEM-V125 VALVE	5.18	TEV20258	BALL SEAT	10.66	TEV35258A	BALL SEAT	23.85

# SPRAY TECH

MANUFACTURING, INCORPORATED

PART #	DESCRIPTION	LIST	PART #	DESCRIPTION	LIST	PART #	DESCRIPTION	LIST
TEV35264	3" FP END PLATE	52.27	TEVU125	BALL VLV S-U 1-1/4"	45.96	TI2210	3WY .5GPM 200PSI SLND VLV	111.41
TEV35265	VLV BDY O-RING	16.75	TEVU150	BALL VLV S-U 1-1/2"	45.65	TI2255	REP KT-2100 VIT	32.26
TEV400	4" BALL VALVE	436.82	TEVU200	BALL VLV S-U 2"	57.96	TI2263	COIL-2204	59.47
TEV40254	4" VLV BDY	49.23	THREAD	PIPE THREAD	0.50	TI2284	MANIFOLD	29.60
TEV40264	4" END PLT w/ ST	71.05	TI1150	BUTTERFLY	4.90	TI2336	END PLATE	8.55
TEVA100	1" ANG BALL VLV PP	48.92	TI1169	008 VTN O RING	1.92	TI2338	SEAL RING-2400	10.36
TEVA150	1-1/2" ANG BALL VLV PP	71.50	TI1175	PNL REG CTRL SW	33.90	TI2351	BDY-2100	35.50
TEVA200	2" ANG BALL VLV PP	71.50	TI1181	1/8" O TUBE FTNG	3.44	TI2352	RK 2500B VLV	25.89
TEVA200FP	2" FP ANG B VLV PP	106.97	TI1182	1/8" O TUBE UNION	4.97	TI2380	RC1B w/2500B & 1560A	768.72
TEVC200	2" VNT CP / ANTI VTX	18.93	TI1187	HEX NUT BR	6.07	TI2385	2500 VLV BDY	51.24
TEVE10200	1" EV REPAIR KIT	87.90	TI1204	FERRULE BRASS	4.44	TI2389	GASKET -2404	14.63
TEVE10257A	1" ELEC VLV ENDPLOT	17.76	TI1213	GAUGE FOR RC-1	49.50	TI2398	COTTER PIN	5.96
TEVE10258A	BL ST - EL VLV TFM	12.69	TI1214	MSTR CNTRL SWITCH	19.48	TI2404-1	2 WAY MTR VALVE	369.45
TEVE10264	1" VE BDY ORING	7.61	TI1215	FUSE HOLDER	37.25	TI2404-2	2 WAY MTR VALVE DBL	738.90
TEVE20256A	2" THR END PLT	15.73	TI1217	SWITCH	12.80	TI2404-3	TRIPLE 2 WAY MTR VALVE	1,108.35
TEVE20258A	EL. BALL SEAT	12.69	TI1231	15" EXT RC1-B	92.12	TI2432	MTR ASM w/ 12" PIGTAIL	269.19
TEVE20264	BDY O-RING	7.61	TI1320	HEX NUT BRASS	5.50	TI2438	O RING	2.17
TEVE25356A	2" FP END PLATE	21.82	TI1402	ADAPTER	9.08	TI2439	BOLT FOR 2404-1	18.86
TEVF25254	2" FP STBY M QC BDY	20.81	TI1479	VALVE BODY-1560	39.07	TI2445	2404 REPAIR KIT	21.28
TEVFM200FP	2" FP VLV w/F ADPTR	97.25	TI1480	VALVE BODY 1541	53.93	TI2449	2404 BODY	52.16
TEVFM204FP	2" FP VLV w/F ADPTR	88.63	TI1484	MOTOR BASE 1560	11.85	TI2450	2404 2-WY MV	144.09
TEVL20153	LOCKING HANDLE	17.76	TI1541	REGULATOR 12V 1"	160.85	TI2500B-1	10GPM 100PSI VTN SLND 3/4"	121.94
TEVL25153	LOCKING HANDLE	32.99	TI1560	REGULATOR 12V 3/4"	140.10	TI2504B	3-WY 2GPM 75PSI SLND VLV WP	136.58
TEVN100	1" POLY NOZZLE VLV	76.28	TI1576	8" SPR HARNESS	99.30	TI2515	COIL-1999	76.49
TEVS20151	STEM 200CF	10.66	TI18GT	1/8" GAUGE TBG /IN	1.79	TI2517	REPAIR KIT-1999A	56.17
TEVS20152SH	SHORT STYLE HANDLE	9.64	TI1962	VALVE BODY - 1999	31.55	TI2520	COIL ASSM. 1999A	78.24
TEVS20153S	2" SHORT HANDLE	9.10	TI1974	VITON DIAPH-1999	41.59	TI2525	VALVE SUBASSEMBLY	131.05
TEVS204FP	STBY 2" FP FPTx/FPT	78.91	TI1976	VITON O-RING-1999	3.95	TI2602	1/4" SLND VALVE	79.15
TEVSF200	2" M CAM x 2" FPT STBY	65.38	TI1980	COIL-1999	72.80	TI2615	2 PIN WP CONN	9.32
TEVSF200CF	2" FLNG VALVE	65.38	TI1987L	RC-1B CNTRL PNL w/LG	372.35	TI2616	12" ADPTR w/ 2 PN TWR & SPD	10.44
TEVSF300	3" F STUBBY VALVE	161.33	TI1989	MTG BRKT 2/1999	29.63	TI2642	2500B COIL	87.64
TEVSF30264	3" STBY END PLT (F)	30.96	TI1999	SLND VLV 18GPM 175PSI	165.61	TI2667	12" WP ADPTR w/ 3 PIN TWR	20.14
TEVSFMT200	2" MPT x 2" M VLV	69.56	TI2045	RPR KIT, OLD 1999	74.89	TIRC10N	RC 1 WAY 100 GA	331.53
TEVSFMT204FP	2" FP M ADPT x 2" MPT VLV	78.92	TI2100-1	SLND VLV VIT 10GPM 125PSI	123.66	TIRC1B	3 WAY w/1560	421.35
TEVSFMT300	3" MPT x 3" M STBY VLV	161.33	TI2114	VLV ON/OFF SW & WR ASM	38.79	TIRC1BL3S	RC-1B w/LG 3 SLND VLV	968.65
TEVSFMT300FP	3" MPT x 3" M STBY VLV FP	204.26	TI2140	COIL - 2100 OLD STYLE	147.39	TIRC2	RMT SYS NO PRS GAUGE	277.20
TEVSMT200	2" MPT x 2" FPT VLV	65.38	TI2144	REPAIR KIT - 2100	30.25	VI708HPR	HITCH PIN 8.5 x 1.25	23.21
TEVSMT200CF	2" STBY MPT x MNFLD	63.48	TI2180	RC-10N w/2100B, 1560A	488.47	VI90700012	40 OZ SPT SPRYR	8.77
TEVSMT204FP	2" MPT x 2" FPT 4-BLT FP VLV	78.91	TI2201	SLND 1GPM 1/4" FPT	92.21	VI90700065	1.7 G PUMP-UP SPRYR	26.95
TEVSMT300	3" MPT x 3" FPT VLV	168.00	TI2201WP	SLND 1GPM 1/4" FPT WP	94.16	VIBPS-400	BACK-PACK SPRAYER	123.60
TEVSS200	2" FP BALL VLV SS	374.31	TI2202	1GPM 80PSI 12V VTN SLND	79.06	VIHR-100	HOSE REEL	269.50
TEVU050	BALL VLV S-U 1/2"	21.42	TI2202AWD	1GPM 80PSI VTN SLND WP	81.88	VIHR-200	HOSE REEL	131.40
TEVU075	BALL VLV S-U 3/4"	21.42	TI2204	3WY .5GPM 55PSI VI SLND VLV	95.21	VIHR-75	HOSE REEL	181.60
TEVU100	BALL VLV S-U 1"	26.77	TI2204AWP	3WY .5GPM 55PSI VI VLV WP	98.03	WI20455-04	PRESSURE PAD O-RING	0.46



PART #	DESCRIPTION	LIST	PART #	DESCRIPTION	LIST	PART #	DESCRIPTION	LIST
WI20455-V4	PRS PAD ORING VIT	1.50	WI40198	TIP GSKT	0.47	WI41110-V	COMBO-RATE THRU BODY-VIT	12.14
WI20460	FLOW IND ASSY	22.24	WI40200	ADPTR- CONV-WILGER	2.15	WI41111-00	COMBO-RATE END BODY	8.50
WI20460-04	LOCK U-CLIP	1.54	WI40200-02	O-RING	0.41	WI41152	COMBO-RATE INTRBDY STR 80M	1.91
WI20460-1	FLOW IND ASSY BDY	14.21	WI40200-3	POLY WASHER	0.22	WI41200	COMBO-RATE 1" WB	5.46
WI20460-15	O RING VITON	1.93	WI40200-V2	O-RING #206	1.80	WI41210-03	BUNA ORING #218	0.57
WI20460-2	BALL RETAINER	0.63	WI40202	ADPTR- HARDI-WILGER	2.16	WI41217	BOOM COMPONENT	8.69
WI20460-3	O-RING	0.29	WI40203	ADPTR- WILGER-CONV	2.16	WI41226	COMBO-RT MFS DRY BM TEE	10.35
WI20460-7	BALL- FLOW IND - RED	0.74	WI40237	SHUTOFF DIAPHRAGM	11.48	WI41251-00	COMBO-CLIP BODY	3.63
WI20460-V	FLOW INDICATOR	23.88	WI40250	COMBO STRAINER 50M	1.38	WI41253-00	COMBO-CLIP BODY	2.58
WI20480	FLW IND - ISO FEED	17.31	WI40251	100 M STRAINER-GR	1.38	WI41255	COMBO-CLIP Fx 1/4 FPT ADPT	3.18
WI20501	ORSM x 3/8" STR HB	2.92	WI40260	NOZZLE SEAL O-RING	0.19	WI41256-00	COMBO CLIP X 3/8 FPT ADAPT	3.36
WI20501-V	ORSM x 3/8" STR HB VIT	4.55	WI40260-V	COMBOJET NOZ SEAL-VIT	1.62	WI41285	CR CLIP M x PLG	1.47
WI20502	ORSM x 1/2" STR HB	2.92	WI40261	COMBOJET SEAL ADAPT	0.32	WI41334	CR BDY MANUAL 3/8"	15.36
WI20502-V	ORSM x 1/2" HB VITON	4.55	WI40269	SLOTTED UNIV CAP	0.72	WI41337	CR INT SDL BDY	8.78
WI20503	ORS x HB 3/4" STR	2.92	WI40269-05	COMBOJET UNV SLTD CAP-BLK	0.74	WI41338	COMB RT 2 NZL BDY	9.83
WI20503-V	ORS x HB STR 3/4" VIT	4.55	WI40271-05	COMBOJET UNIV RD CAP-BLK	0.82	WI41371	COMBO RATE NZL BDY	5.38
WI20511	3/8" HB 90	2.92	WI40272	RADIALOCK CAP PLUG	0.92	WI41402-V0	CNH BOOM-END FV	26.95
WI20511-V	3/8" HB 90 VITON	4.55	WI40273-05	COMBOJET 1/4" FPT CAP	2.38	WI41513	CMB RATE NZ BDY MNL	17.78
WI20512	ORS x 1/2" HB 90 DEG	2.92	WI40273-V5	RADIALOCK CAP 1/4"	3.54	WI41515-00	COMBO-RATE 5 WAY	18.46
WI20512-V	ORS x 1/2" HB 90 VIT	4.55	WI40281-08	ER110-08	7.36	WI41535-32	3CJ/2SL HD TRT CPSTN w/o NUT	12.69
WI20513	ORS x HB 3/4" 90 DEG	2.92	WI40285-02	PRE-ORIFICE 02 YLW	5.23	WI50295V02	DRA 5002E YELLOW	12.82
WI20513-V	ORS x HB 3/4" 90 VIT	4.55	WI40285-03	PRE-ORIFICE 03 BLUE	5.23	WI50295V01	DRA 5001E ORANGE	12.82
WI20516	ORS M x 1/4" PI TUBE 90	4.27	WI40285-04	PRE-ORIFICE 04 RED	5.23	WI70075-05	SR40-05 COMBO JET	11.28
WI20519	ORSM x 1/4" NPT	2.92	WI40285-08	PRE-ORIFICE 08 WHT	5.23	WI70098-08	70098-08	163.09
WI20519-V	ORSM x 1/4" NPT VIT	4.55	WI40285-25	COMBO PREORIFICE MR/DR 025	4.37	WI701094007	KIT-JD PLANTER ADPT.	19.87
WI20520	ORS x 1/2" STR	6.19	WI40286-04	DR110-04	11.35	WI70120-01	TWS TUBE 19" W/FTG	149.00
WI20520-V	ORS x 1/2" STR VIT	7.83	WI40306	3/8" NPTM x 1/2" HS 1W	1.83	WI70120-05	70120-05	282.27
WI20521	END CAP W/U-CLIP	3.49	WI40307	3/8" NPTM x 1/2" HS 2W	1.83	WI70120-06	70120-06	151.67
WI20522	T w/UCLP MxMxF	7.80	WI40311	3/8" F x 3/4" HS	1.83	WI70120-08	70120-08	195.13
WI20523	3/8" ISOLATOR TEE	6.52	WI40312	HB 3/4" 2-WAY	1.83	WI70120-11	70120-11	238.19
WI20523-V	3/8" ISOLATOR TEE VIT	8.16	WI40341	HR BM CLMP 3/4"-1 1/4" RD/SQ	5.87	WI70149-01	70149-01	122.68
WI20525	1" TEE	7.80	WI40341-04	LOCK CLIP-DRY BOOM	0.50	WI70149-04	70149-04	176.61
WI20525-V	1" TEE VITON	11.07	WI40342	HIGH RCH BM CLMP 1-1/2-2"	4.38	WI70149-07	TWS TUBE	94.85
WI20526	T w/UCLP,1/4" PORT	7.80	WI40352	F NOZZLE+CHECK	7.08	WI70149-08	70149-08	209.97
WI20526-V	T w/UCLP,1/4" PORT VI	11.07	WI40353	CJ SQ MT DBL BDY ASSY	15.46	WI70286-00	CNH 120/20" OC BRK	779.82
WI21055	ORIFICE INSERT .055	3.80	WI40354	TRIPLE BODY W/DIAPHRAGM	16.53	WIDR110-02	DR 110-02	14.34
WI25160-04	O-RING	1.29	WI40435	ADAPT CAP COMBOJET X 1/4 TUBE	2.99	WIDR110-03	DR 110-03	14.34
WI25160-V4	ORING VITON	2.78	WI40471	ADPT CMBJTXCMBJT TRIPLE	9.03	WIDR110-06	DR 110-06	14.52
WI25161	QNF, 1 1/4" QN x 1 1/4" SWP 90	4.22	WI40471-01	TRIPLE BODY ADAPTER	1.40	WIDR110-08	DR 110-08	14.52
WI25176-V	BM END FL VLV 1" FPT	29.60	WI40500-VO	DIA BODY VITON	6.07	WIDR110-10	DR 110-10	14.52
WI40153	TRIPLE BODY DRY BOOM	18.97	WI41100-02	SHUT OFF MODULE	1.10	WIER110-03	CAP+TIP 11003	7.36
WI40155-07	DIAPHRAGM-NZ BODY	0.82	WI41100-03	SHUT OFF KNOB-BLACK	2.21	WIER110-04	CAP+TIP 11004	7.36
WI40155-12	DIAPHRAGM VITON	2.90	WI41100-12	4# SPRING ASSEMBLIES	2.48	WIER110-05	CAP+TIP 11005	7.36
WI40155-21	MOD RTNR RING-DIAP	1.46	WI41101-00	END BODY ASSEMBLY	7.73	WIER110-06	CAP+TIP 11006	7.36

# SPRAY TECH

MANUFACTURING, INCORPORATED

PART #	DESCRIPTION	LIST	PART #	DESCRIPTION	LIST	PART #	DESCRIPTION	LIST
WIER110-08	CAP+TIP 11008	7.36						
WIER110-10	CAP+TIP 11010	9.82						
WIER110-125	CAP+TIP 110125	9.82						
WIER110-20	CAP+TIP 11020	9.82						
WIER80-02	CAP+TIP 8002	6.42						
WIER80-03	CAP+TIP 8003	6.42						
WIER80-04	CAP+TIP 8004	6.42						
WIER80-05	CAP+TIP 8005	6.42						
WIER80-06	CAP-TIPSS 8006	6.42						
WIER80-08	CAP-TIP SS 8008	6.42						
WIMR11002	COMBOJET MR 110-02	14.52						
WIMR11004	COMBOJET MR 110-04	14.52						
WIMR11006	COMBOJET MR 110-06	14.52						
WIMR11008	COMBOJET MR 110-08	14.52						
WIMR11010	COMBOJET MR 110-10	14.52						
WIMR110125	COMBOJET MR 110-125	14.52						
WIMR8003	COMBOJET MR 80-03	12.96						
WIOC-018	OC TIP 1/8 SS	15.59						
WISR110-02	SR110-02	14.34						
WISR110-04	SR110-04	14.34						
WISR110-05	SR110-05	14.34						
WISR110-06	SR110-06	14.34						
WISR110-08	SR110-08	14.34						
WISR110-10	SR110-10	14.34						
WISR110-125	SR110-125	14.52						
WISR110-15	SR110-15	14.52						
WISR110-20	SR110-20	14.52						